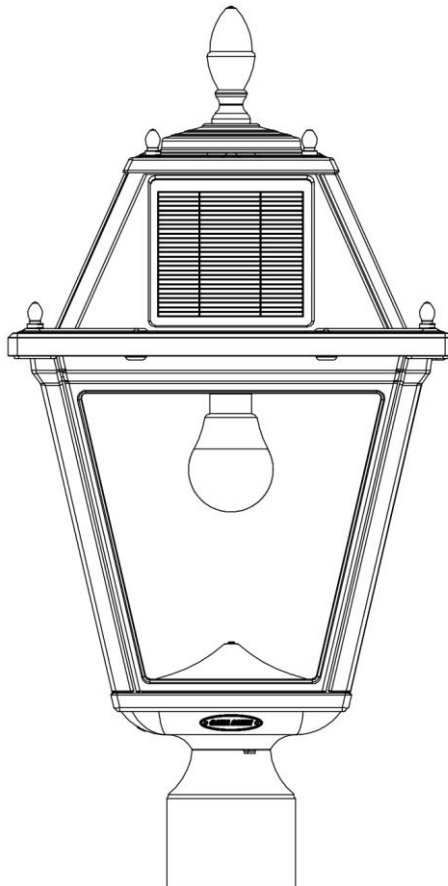




REGAL SOLAR LIGHT With GS Solar LED Bulb

US Patent # 7172307
US Patent # 9458970

Instruction Manual
Models: GS-300F



Introduction

Thank you for your purchase. **GAMA SONIC®** solar charged accent lighting eliminates the problems associated with most solar lighting available today. **GAMA SONIC®** solar charged lights are brighter and last all night with a typical solar charge. Unique design, superior light output and numerous installation options confirm the outstanding value of the product.

GAMA SONIC® has been recognized as a worldwide leader in the lighting industry for over 20 years. The company also offers unique multi-purpose rechargeable products that range from party lights to emergency lighting products. For technical assistance and more information call our Toll Free number: 800-835-4113 (only within the US).

Visit our website or download the latest version of your instruction manual: www.gamasonic.com or www.gamasonic.com/user-guides

Please read the instruction manual carefully to obtain the best results from your purchase.

Solar Lamp Location

For optimum light duration throughout the night, it is very important to mount your solar lamp post in a spot where it will receive the maximum amount of sunlight throughout the day.

Note: For best results, the solar lamp post must be charged for two sunny days on the “ON” position.

WARNING: GAMA SONIC® Light bulbs are built and designed for Gama Sonic products only. They are not designed to be used in other electrical sockets. For the same reason, regular AC and/or Low Voltage bulbs cannot be used in Gama Sonic products.

Assembly Instructions

NOTE: If you are replacing an existing gas/electric post light, you must consult a certified technician to cancel them before installation.

NOTE: The solar light must be charged for two sunny days in the “ON” position for best results.

1. Install the new GS Solar LED Light Bulb by turning it into the bulb socket located at the top of the light clockwise **[Fig.1]**

NOTE: When installing the GS Solar LED Bulb, hold it from its silver base not by the glass **[Fig.2]**

2. Turn ON the operation switch **[Fig.3]** by choosing your desired brightness level:
Economy- Longer Duration – Lower Output
(Recommended for Winter months)
High- Shorter Duration – Higher Output (Recommended for Summer months)
3. Reassemble the upper part of the lamp by placing it on top of the light fixture.
4. Screw in the 4 decorative screws to secure the top to the light fixture **[Fig.1]**
5. Install the solar lamp onto your existing 3” post, using the screws provided

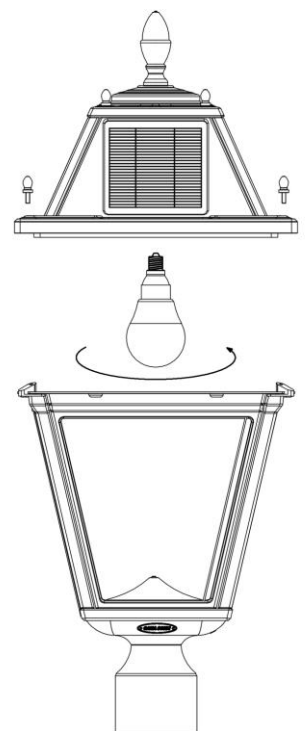


Fig.1

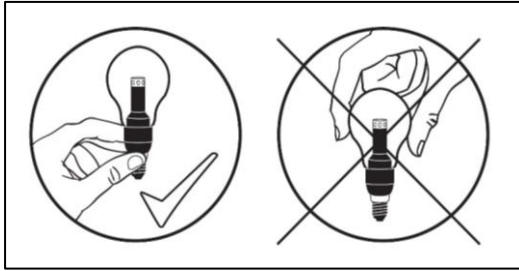


Fig.2



Fig.3

Replacing the Batteries

(After approx. 3 years of use, the batteries may need replacing).

1. Detach the upper part of the lamp as shown in **Fig.1** by unscrewing the decorative screws counterclockwise.
2. Make sure the operation switch is in the OFF (“O”) position.
3. Release the batteries compartment’s screws located on the silver reflector and remove the old batteries pack. Make sure the new batteries are high quality – 2 x Li-Ion Battery Pack (3.2 Volt / 3000 Ma) with connector [**Fig. 4**]
4. Install the new batteries into the battery compartment. [**Fig. 4**]
5. Reassemble the unit by reversing the above procedure.

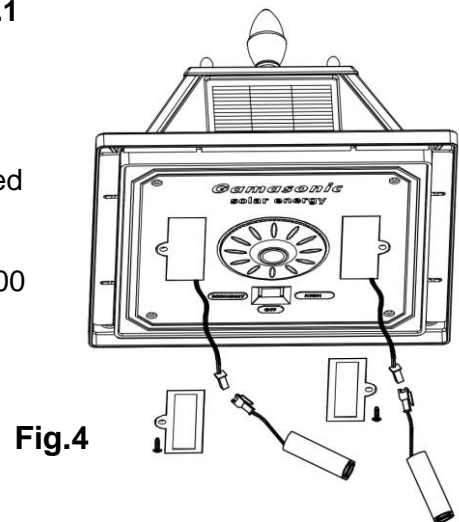


Fig.4

**** Gama Sonic batteries are available at www.gamasonic.com**

You can purchase it directly at: <https://gamasonic.com/product-category/parts-and-accessories/> . Make sure the new battery is a [Gama Sonic - 3.2V/3,000mAh](https://gamasonic.com/product-category/parts-and-accessories/), Li-ion Rechargeable Battery with a connector.

**** Gama Sonic Bulbs are available at www.gamasonic.com**

You can purchase it directly at: <https://gamasonic.com/product-category/parts-and-accessories/>

Make sure the new bulb you purchase is compatible with this model (A60 bulb)

Or via our Toll free number: +1-800-835-4113

Replacing the Solar LED Bulb

The Solar LED Bulb is designed to last up to 10 years, however if it is not working, or if you want to use a different color temperature bulb, you can replace it with a new GAMA SONIC Solar LED Bulb.

1. Detach the upper part of the lamp as shown in **Fig. 1** by unscrewing the decorative screws counterclockwise.
2. When installing the GS Solar LED Bulb, hold it from its silver base not by the glass **[Fig.2]**
3. Make sure the operation switch is in the OFF ("O") position.
4. Remove the existing bulb by turning it counterclockwise **[Fig. 5]**.
5. Install the new A-60 GS Solar LED Bulb by turning into the bulb socket clockwise.
6. Reassemble the unit by reversing the above procedure

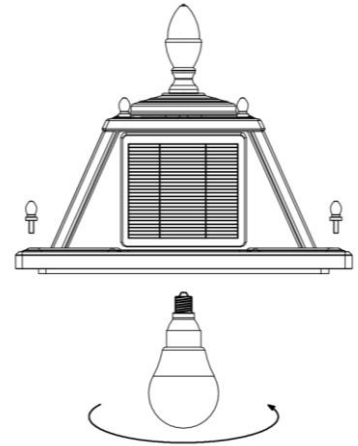


Fig.5

WARNING: Do not dispose of Li-Ion battery in the regular trash, municipal waste stream or by fire as batteries may leak or explode. Do not open, short circuit, or mutilate batteries as injury may occur. Preserve our environment by recycling batteries or disposing of them in accordance with local, State and federal regulations. Do not mix old and new batteries.

Maintenance

Clean the solar module regularly with a damp towel to guarantee optimum performance of the solar panel. Do not use any type of solvent for cleaning and be careful not to put too much pressure on the module while cleaning.

Trouble Shooting

If your solar charged light does not come on at dusk despite observance of all the instructions, please try the following steps:

1. Make sure that the solar light is not being affected by any other light source.
2. Ensure the solar light is not positioned in the shade during the day.
3. Make sure the switch in the lamp head is in the "ON" position (either "Economy" or "High").
4. Check that the batteries are installed correctly.

WINTERTIME TIPS: Keep snow and debris cleaned off the solar panels so the batteries can recharge. If the lights are covered with snow for an extended period of time, after the snow melts, allow all the batteries to charge in full, direct sunlight for at least 6 hours to their maximum capacity.

WARNING: Please keep out of reach of children.

