

GAMA SONIC[®]
SOLAR LIGHTING



**SOLAR PILLAR
COMMERCIAL BOLLARD**

Model: 9iD50800

Version 1.1

 Please read the instruction manual carefully to obtain the best results from your purchase.

Thank you for your purchase. GAMA SONIC® solar charged lights are brighter and last all night with a typical solar charge. Unique design, superior light output and numerous installation options confirm the outstanding value of our product.

GAMA SONIC® has been recognized as a worldwide leader in the lighting industry for over 20 years. The company also offers unique products from multi-purpose solar lamps to emergency lighting products.

**For technical assistance and more information call our Toll-Free number:
800-835-4113 (only within the US)**

Or

**visit our website or download the latest version of your instruction manual:
www.gamasonic.com Or www.gamasonic.com/user-guides**

Solar Lamp Location:

For optimum light duration throughout the night, it is very important to mount your solar panel in a spot where it receives maximum amount of direct sunlight throughout the day. The solar light must be charged in full sun for two days in the “ON” position for the best results.

NOTE: The following steps are for reference only. Consult your local hardware store for the best installation method for your chosen surface.

What's In The Box:

GS-9 PARTS



A



B



C



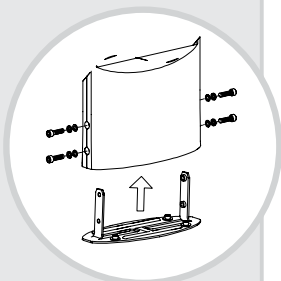
D



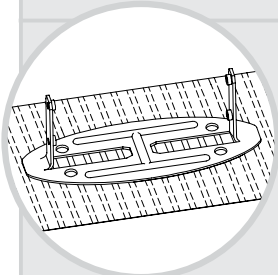
E

Installation Instructions (Concrete)

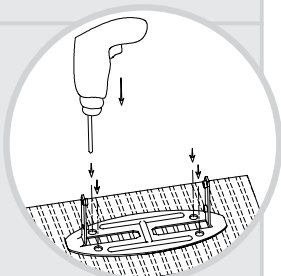
1. Remove the Mounting Bracket (**Part B**) from the Solar Pillar (**Part A**) by removing the four screws and sliding the bracket away from the bottom.



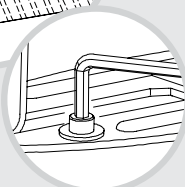
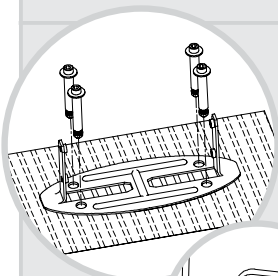
2. Place the Mounting Bracket (**Part B**) in the desired location of the lamp.



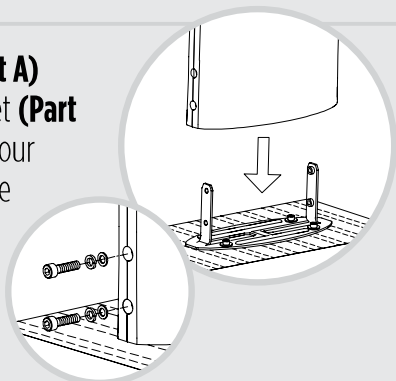
3. Drill four holes for the Anchor Bolts (**Part C**) using a drill. Each hole should be approximately 3/8" wide and 2.75" deep.



4. Insert the Concrete Anchors (**Part C**) into those holes and tighten them to the Mounting Bracket (**Part B**) using the Allen Wrench (**Part E**).

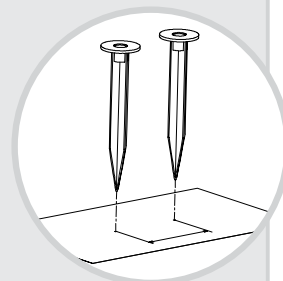


5. Slide the Solar Pillar (**Part A**) over the Mounting Bracket (**Part B**) and secure using the four screws (removed from the Pillar earlier) and the Allen Wrench (**Part E**).

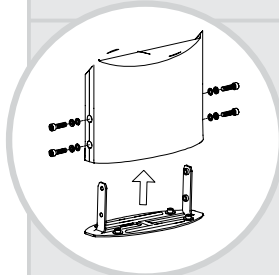


Installation Instructions (Ground)

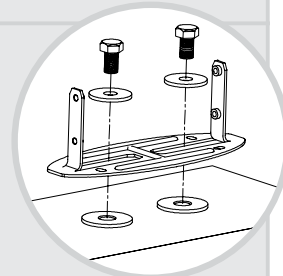
1. Insert the Ground Stakes (**Part D**) into the ground in the desired location of the lamp. Make sure the stakes are between 2.5 to 4" apart.



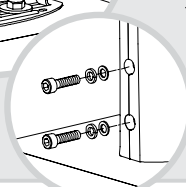
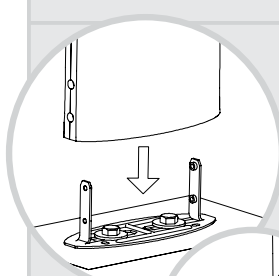
2. Remove the Mounting Bracket (**Part B**) from the Solar Pillar (**Part A**) by removing the four screws and sliding the bracket away from the bottom.



3. Secure the Mounting Bracket (**Part B**) by using the Bolts with washers that come pre-installed in the stakes.



4. Slide the Solar Pillar (**Part A**) over the Mounting Bracket (**Part B**) and secure using the four screws (removed from the Pillar earlier) and the Allen Wrench (**Part E**).



Operation Instructions

Using the button located above the motion sensor on each side of the lamp, choose between a High/Low/Off Mode for each side.

1st Press = High Mode - the lamp will operate in the high setting (500/250)*. After 4 hours, the light will dim (250/120)* and go back to full brightness (500/250)* for 30 seconds when motion is detected.

2nd Press = Low Mode - the lamp will operate in the low setting (250/125)*. After 4 hours, the light will dim (60/30)* and go back to half brightness (250/125)* for 30 seconds when motion is detected.

3rd Press = Off

*Lumen output is listed in parenthesis with lumens for using one side only on the left and lumens for using both sides on the right

NOTE: The solar light must be charged for two sunny days in the "ON" position for best results.



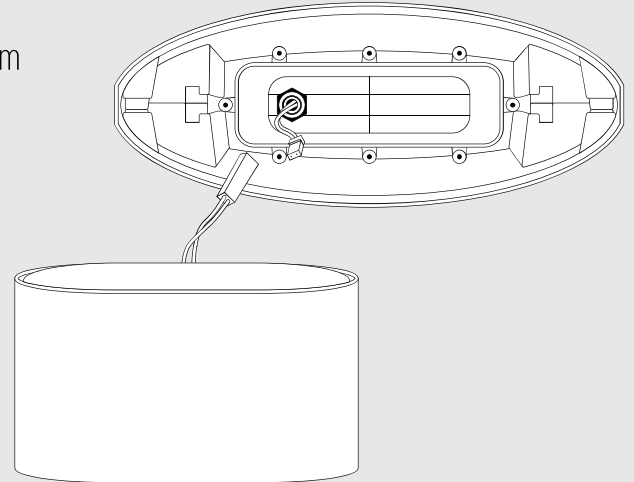
Replacing the Battery

GAMA SONIC®
SOLAR LIGHTING

Replacement batteries are available
at www.gamasonic.com or via our Toll free number: +1-800-835-4113

After several years of use, the battery may need replacing.

1. Make sure the ON/OFF switch is in the "OFF" position.
2. Unscrew the four screws at the bottom sides of the pillar to detach it from the Mounting Bracket.
3. Remove the screws from the battery compartment cover located on the underside of the pillar.
4. Unclip the battery connector and remove the old battery. Make sure the new batteries are high quality – Li-Ion Battery pack (6.4 Volt / 6000 mAh) with matching connector.
5. Install the new battery into the battery compartment and secure the cover.
6. Place the Pillar back on the Mounting Bracket and secure with the four screws.
7. Turn the unit back on to your desired setting.



MAINTENANCE

Clean the solar module regularly with a damp towel to guarantee optimum performance of the solar panel. Do not use any type of solvent for cleaning and be careful not to put too much pressure on the module while cleaning.

TROUBLESHOOTING

If your solar charged light does not come on at dusk despite observance of all the instructions, please try the following steps:

1. Make sure that the solar light is not being affected by any other light source.
2. Ensure the solar light is not positioned in the shade during the day.
3. Make sure the switch in the lamp head is NOT in the "OFF" position.
4. Check that the batteries are installed correctly.

NOTE: The performance of the solar lamp will vary with the time of year. It will deliver more light when it has had a full day in the sun rather than a day in overcast weather.



WINTERTIME TIPS: For optimal performance, be sure to remove any snow or debris accumulation from solar panel(s). A solar panel free of debris will charge the batteries much more efficiently.

WARNING: Please keep out of reach of children.



WARNING: Please keep out of reach of children. Do not dispose of Li-Ion battery in the regular trash, municipal waste stream or by fire as batteries may leak or explode. Do not open, short circuit, or mutilate batteries as injury may occur. Preserve our environment by recycling Li-Ion batteries or disposing of them in accordance with local, state and federal regulations. Do not mix old and new batteries.