

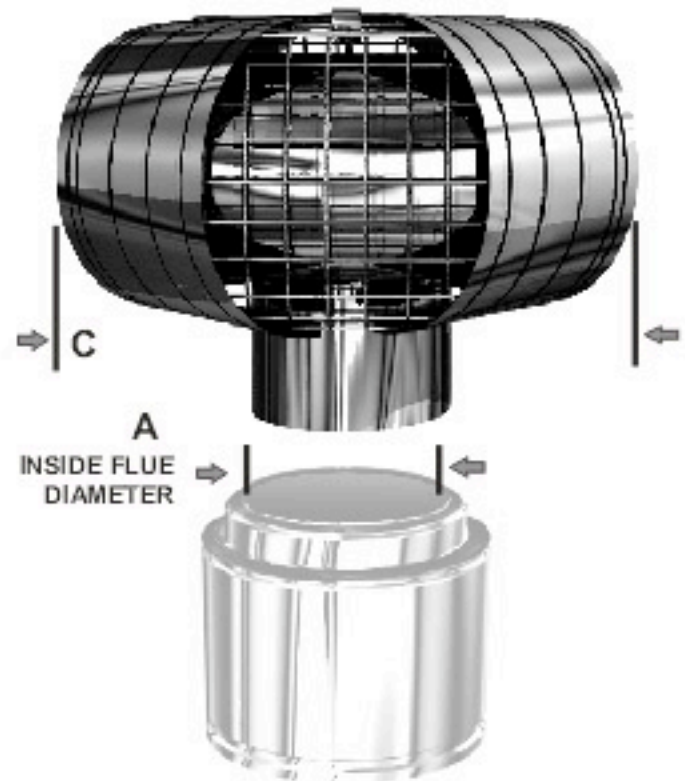
VACU-STACK® SPECIFICATIONS

Vacu-Stack® Model VSS WITH SCREEN

Application: For round chimneys other than air cooled and for masonry chimneys using the ICP masonry adapter. This is the premier cap for solving common wind-related chimney draft problems caused by conditions such as hills and mountains in the vicinity, tall trees near the chimney, or tall buildings nearby.

Standard Materials: 100% austenitic stainless steel, stainless steel screen.

Alternate materials: Copper (Model VSC) and Type 316 stainless steel (Model VSM) for marine environments.



MODEL # (1" SCREEN OPENING*)	MODEL # (1/2" SCREEN OPENING*)	DIAMETERS (INCHES)		SHIPPING WEIGHT (POUNDS)
		A	C	
VSS-6-S	VSS-6-S5	6	14	6
VSS-7-S	VSS-7-S5	7	15	6
VSS-8-S	VSS-8-S5	8	18	8.25
VSS-812-S	VSS-812-S5	6 x 10 oval	18	10
VSS-9-S	VSS-9-S5	9	20	11
VSS 9.5-S	VSS-9.5-S5	9.5	20	11
VSS-10-S	VSS-10-S5	10	21	11
VSS-11-S	VSS-11-S5	11	23	18
VSS-11.5-S	VSS-11.5-S5	11.5	24	18
VSS-12-S	VSS-12-S5	12	24	18
VSS-1216-S	VSS-1216-S5	10 x 14 oval	25	28
VSS-13-S	VSS-13-S5	13	28	38
VSS-14-S	VSS-14-S5	14	30	38

SIZES: Custom sizes available up to 48". Call for price and specific requirements.

CHIMNEY TYPES: Single wall, solid pack insulated, Class A, B vent, and square or rectangular masonry chimneys using ICP masonry adapter.

SCREENS: Available as noted above in 1" and 1/2" mesh openings. Check local regulations for what is required in your area.

* Nominal dimension

Improved Consumer Products, Inc.

(508) 695-7000 508-695-4209 (fax) www.chimneycaps.com