

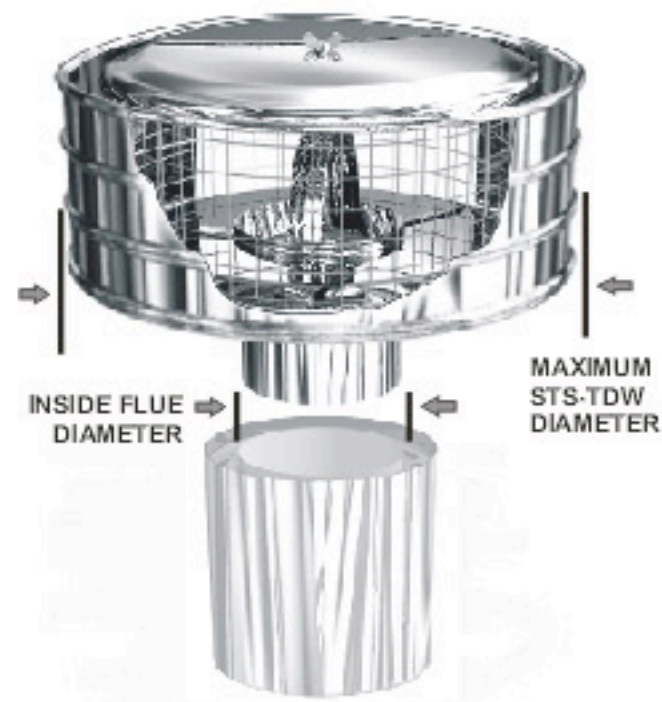
WEATHERSHIELD® SPECIFICATIONS

StormShield® Model STS-TDW

Application: For double wall or triple wall round, air cooled chimneys. This is the ideal cap for coastal locales and other areas where wind and rain are prevalent. Overall height of the unit and the stainless steel shield can be customized to meet unique specifications.

Standard Materials: 100% austenitic stainless steel, stainless steel screen.

Alternate materials: Copper (Model STC-TDW) and Type 316 stainless steel (Model STM-TDW) for marine environments.



MODEL # (1" SCREEN OPENING*)	MODEL # (1/2" SCREEN OPENING*)	INSIDE FLUE DIAMETER (INCHES)	MAXIMUM DIAMETER (INCHES)	SHIPPING WEIGHT (POUNDS)
STS-5-TDW	STS-5-TDW-S5	5	20	8
STS-6-TDW	STS-6-TDW-S5	6	20	10
STS-7-TDW	STS-7-TDW-S5	7	20	10
STS-8-TDW	STS-8-TDW-S5	8	20	10
STS-9-TDW	STS-9-TDW-S5	9	20	13
STS-9.5-TDW	STS-9.5-TDW-S5	9.5	20	13
STS-10-TDW	STS-10-TDW-S5	10	20	13
STS-11-TDW	STS-11-TDW-S5	11	23	18
STS-12-TDW	STS-12-TDW-S5	12	23	18
STS-13-TDW	STS-13-TDW-S5	13	27	18
STS-14-TDW	STS-14-TDW-S5	14	27	18

SIZES: Custom sizes available up to 48". Call for price and specific requirements.

CHIMNEY TYPES: Double wall or triple wall round, air cooled.

SCREENS: Available as noted above in 1" and 1/2" mesh openings. Check local regulations for what is required in your area.

OVERSIZE: Oversize lids and bases available. Call us to discuss pricing and specific requirements.

* Nominal dimension



Improved Consumer Products, Inc.

(508) 695-7000 508-695-4209 (fax) www.chimneycaps.com