



# 69FAK

## FRESH AIR INTAKE INSTALLATION SHEET

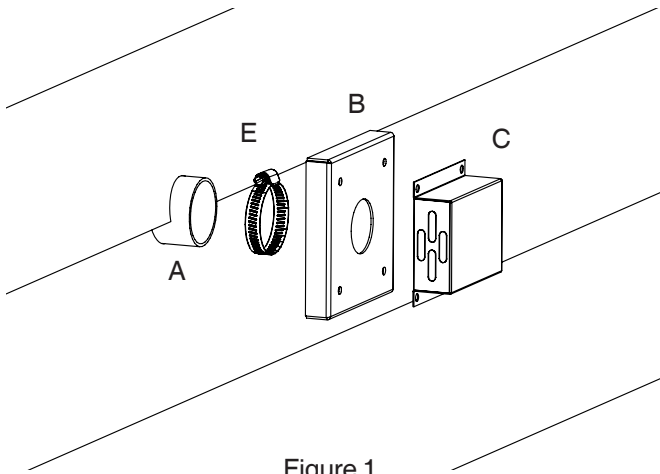


Figure 1

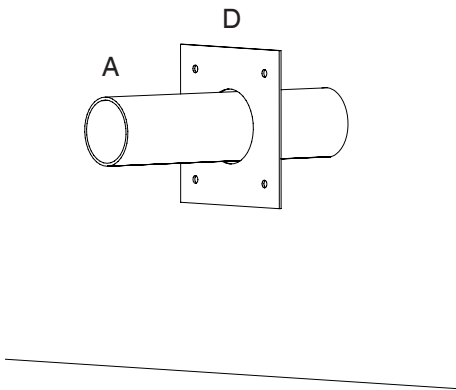


Figure 2

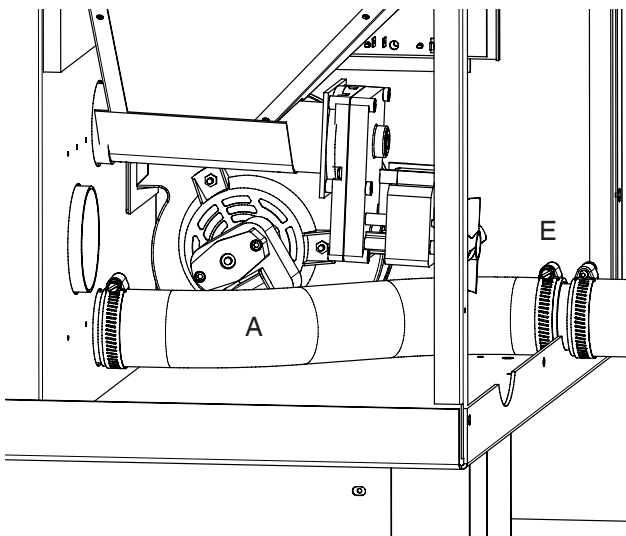


Figure 3

The 69FAK should contain the following items:

A	86615	2" ID Flexible Hose	2
B	69473B	Outside Cover, Painted	1
C	25391B	Rodent Cover, Painted	1
D	25388B	Inside Plate, Painted	1
E	83879	2" Hose Clamp	4
	83335	#10 x 3/4 Screw	8
	83898	Drywall Anchors	4

Installation:

1. With the stove in the operating position, mark and drill a hole to accommodate the 2" flexible hose.
2. Insert the hose through the wall and attach the Outside Cover with one of the 2" hose clamps provided. See Figure 1.
3. Then attach the Outside Cover to the outside wall.
4. Next, attach the Rodent Cover to the Outside Cover using four(4) of the #10 x 3/4 screws supplied.
5. On the inside of the home, slide the Inside Plate over the tube then attach to the wall with the four Drywall Anchors and Screws provided. See Figure 2.
6. Where the Air Inlet Tube comes out of the firebox, there is a cap that must be removed for the fresh air installation. The cap may be on the front side of the tube just under the burnpot. In this case, the burnpot may need to be removed for ease of cap removal.
7. Attach one of the 2" flex hoses to the backside of the firebox, then to air inlet pipe at the back of the stove as shown in figure 3.
8. Stretch the 2" flex hose to the air inlet on the back of the stove. Attach using the other 2" hose clamp. See Figure 3. ( The hose will extend up to 4 feet in length. )

**Figure 3 shown with Exhaust Housing  
removed for clarity**