

Draft Shield Kit Installation Instructions Model: LV43DS
For use with (V)LVF43 Series Models

Parts included with these kit:

PART NO.	DESCRIPTION	LV43DS	QTY
126416-01	Kit, Flame Shield	•	1
126451-01	Sheet, Instruction	•	1

GLASS PANEL INSTALLATION

The glass panel assembly should be installed after the fireplace is completely framed and finished. Attached brackets to the front side face on each side of the fireplace using two screws as shown in Figure 1. Position the glass panel in the bracket so that it is securely in place.

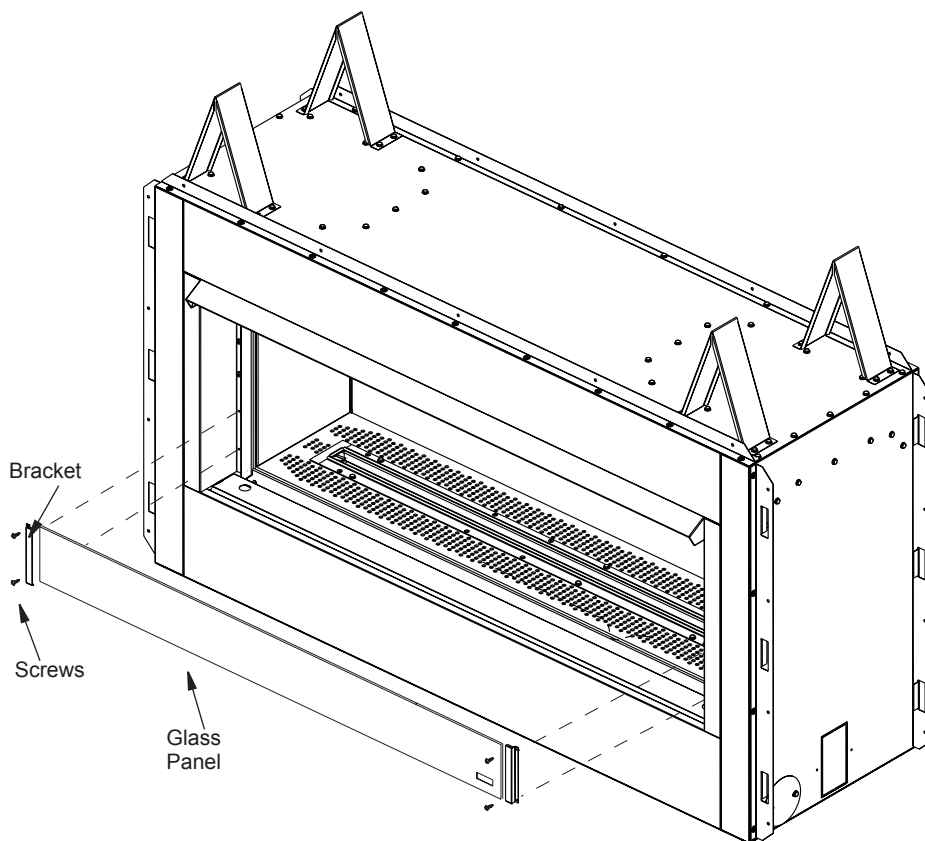


Figure 1 - Installing Glass Panel