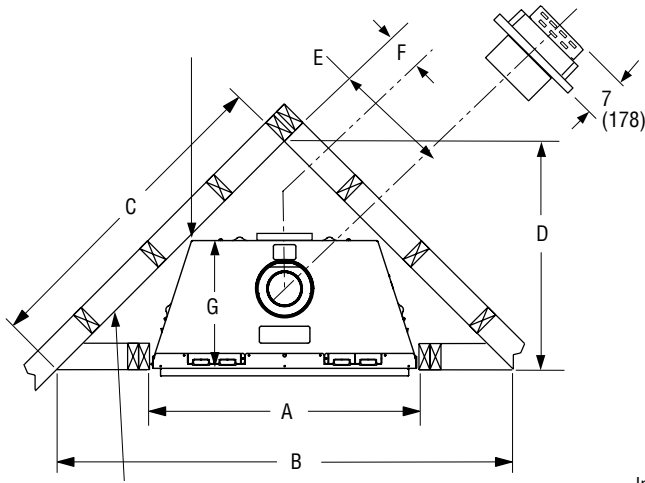


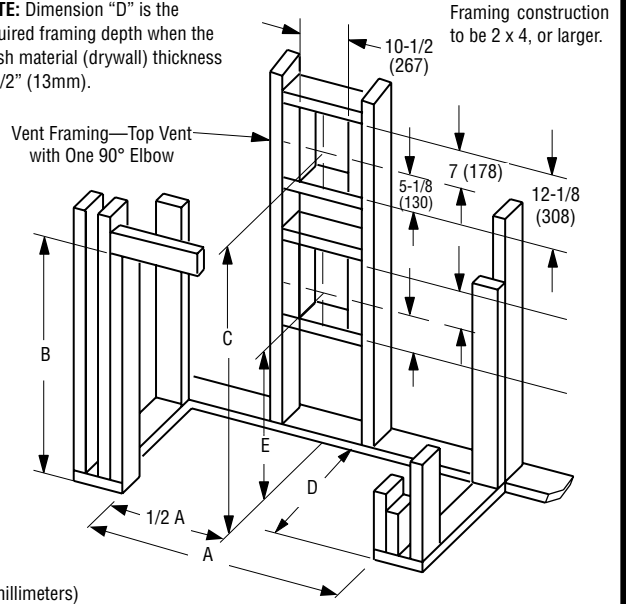
DRT2000 & DRC2000 SERIES

DIRECT-VENT FIREPLACES

Framing Dimensions



NOTE: Dimension "D" is the required framing depth when the finish material (drywall) thickness is 1/2" (13mm).



C = Minimum height of top vent installations
E = Minimum height of rear vent installations

Model	A	B	C	D	E	F	G
33 Models	33-3/4 (857)	51-1/4 (1302)	36-1/4 (921)	25-5/8 (651)	12-1/8 (308)	5-1/2 (140)	14-1/2 (368)
35 Models	35-3/8 (899)	59-1/2 (1511)	42-1/8 (1070)	30-1/4 (768)	14-1/4 (362)	6-5/8 (168)	18 (457)
40 Models	40-3/8 (126)	63-7/8 (1622)	45-3/8 (1153)	33-1/4 (845)	15-7/8 (403)	8-1/2 (216)	18 (457)
45 Models	45-3/8 (1153)	70-3/8 (1788)	49-3/4 (1264)	35-1/4 (895)	17-1/2 (445)	10-1/4 (260)	18 (457)

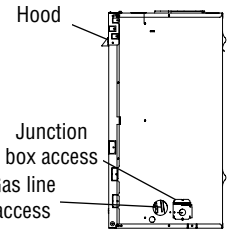
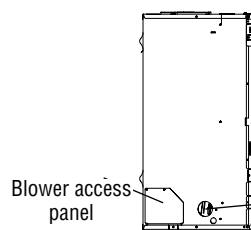
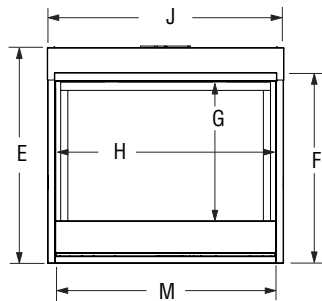
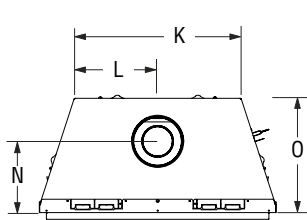
Model	A*	B	C	D	E
33 Models	33-3/4 (857)	34-1/4 (870)	36-7/8 (930)	14-1/2 (368)	19-5/8 (499)
35 Models	35-3/8 (899)	36-1/4 (921)	38-3/4 (984)	18 (447)	23-3/8 (594)
40 Models	40-3/8 (1026)	41-1/4 (1048)	43-3/4 (1111)	18 (447)	28-1/4 (717)
45 Models	45-3/8 (1153)	41-1/4 (1048)	43-3/4 (1111)	18 (447)	28-1/4 (717)

*Minimum opening size; additional 1/8" per side is recommended.

NOTE: Framing specifications do NOT apply for flexible venting. When using flexible venting, refer to the kit requirements for framing specifications.

Fireplace Dimensions

NOTE: When finishing the area around the hood, 5/8" clearance above hood is required for hood installation.



Model	E	F	G	H (door)	J	K	L	M	N	O
33" Models	30-1/8 (765)	26-1/4 (667)	18-3/8 (467)	30-1/2 (775)	33-5/8 (854)	21-7/8 (556)	11 (279)	31 (787)	8-1/2 (216)	14 (356)
35" Models	32-1/8 (816)	28-3/4 (730)	22-1/4 (565)	32-3/8 (822)	35-1/4 (895)	25 (635)	12-1/2 (317)	32-7/8 (835)	10-1/8 (257)	17 (432)
40" Models	37-1/8 (943)	33-1/4 (845)	27-1/4 (692)	37-3/8 (949)	40-1/4 (1022)	30 (762)	15 (381)	37-7/8 (962)	10-1/8 (257)	17 (432)
45" Models	37-1/8 (943)	33-1/4 (875)	27-1/4 (692)	42-3/8 (1076)	45-1/4 (1149)	35 (889)	17-1/2 (445)	42-7/8 (1089)	10-1/8 (257)	17 (432)

Inches (millimeters)

NOTE: DIAGRAMS & ILLUSTRATIONS ARE NOT TO SCALE.

DRT2000 & DRC2000 SERIES

Product Information

Cat. No.	Model	Weight	Cu. Ft.
F1414	DRT2033TMN	88 lb.	11.0
F1415	DRT2033TMP	88 lb.	11.0
F1416	DRT2033TEN	88 lb.	11.0
F1721	DRT2033TEP	88 lb.	11.0
F1420	DRT2033RMN	88 lb.	11.0
F1421	DRT2033RMP	88 lb.	11.0
F1422	DRT2033REN	88 lb.	11.0
F1723	DRT2033REP	88 lb.	11.0

F1411	DRC2033TMN	96 lb.	11.0
F1412	DRC2033TMP	96 lb.	11.0
F1413	DRC2033TEN	96 lb.	11.0
F1720	DRC2033TEP	96 lb.	11.0
F1417	DRC2033RMN	96 lb.	11.0
F1418	DRC2033RMP	96 lb.	11.0
F1419	DRC2033REN	96 lb.	11.0
F1722	DRC2033REP	96 lb.	11.0

Cat. No.	Model	Weight	Cu. Ft.
F1426	DRT2035TMN	102 lb.	10.4
F1427	DRT2035TMP	102 lb.	10.4
F1428	DRT2035TEN	102 lb.	10.4
F1725	DRT2035TEP	102 lb.	10.4
F1432	DRT2035RMN	102 lb.	10.4
F1433	DRT2035RMP	102 lb.	10.4
F1434	DRT2035REN	102 lb.	10.4
F1727	DRT2035REP	102 lb.	10.4

F1423	DRC2035TMN	99 lb.	10.4
F1424	DRC2035TMP	99 lb.	10.4
F1425	DRC2035TEN	99 lb.	10.4
F1724	DRC2035TEP	99 lb.	10.4
F1429	DRC2035RMN	99 lb.	10.4
F1430	DRC2035RMP	99 lb.	10.4
F1431	DRC2035REN	99 lb.	10.4
F1726	DRC2035REP	99 lb.	10.4

Cat. No.	Model	Weight	Cu. Ft.
F1438	DRT2040TMN	128 lb.	13.7
F1439	DRT2040TMP	128 lb.	13.7
F1440	DRT2040TEN	128 lb.	13.7
F1729	DRT2040TEP	128 lb.	13.7
F1444	DRT2040RMN	128 lb.	13.7
F1445	DRT2040RMP	128 lb.	13.7
F1446	DRT2040REN	128 lb.	13.7
F1731	DRT2040REP	128 lb.	13.7

F1435	DRC2040TMN	121 lb.	12.7
F1436	DRC2040TMP	121 lb.	12.7
F1437	DRC2040TEN	121 lb.	12.7
F1728	DRC2040TEP	121 lb.	12.7
F1441	DRC2040RMN	121 lb.	12.7
F1442	DRC2040RMP	121 lb.	12.7
F1443	DRC2040REN	121 lb.	12.7
F1730	DRC2040REP	121 lb.	12.7

Cat. No.	Model	Weight	Cu. Ft.
F1450	DRT2045DMN	120 lb.	15.4
F1451	DRT2045DMP	120 lb.	15.4
F1452	DRT2045DEN	120 lb.	15.4
F1733	DRT2045DEP	120 lb.	15.4

F1447	DRC2045DMN	128 lb.	16.5
F1448	DRC2045DMP	128 lb.	16.5
F1449	DRC2045DEN	128 lb.	16.5
F1732	DRC2045DEP	128 lb.	16.5

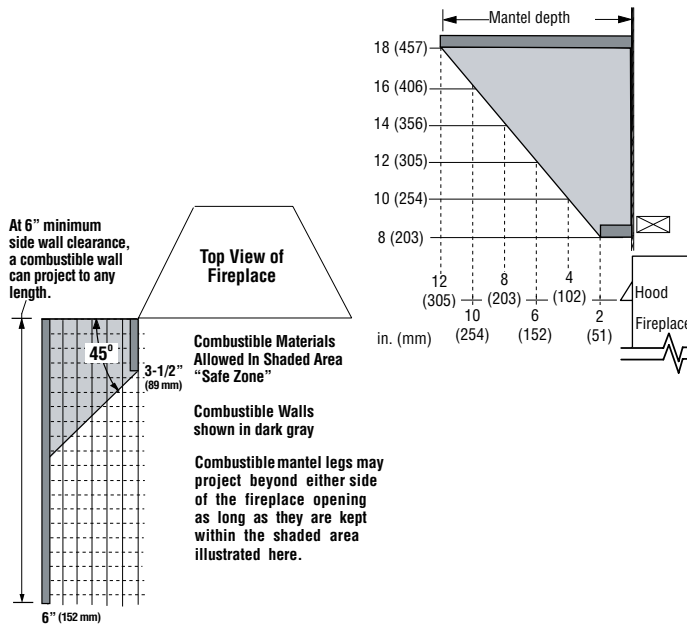
Listing



Report No. F13-094

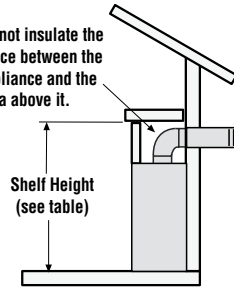
Listed by PFS Corporation to - ANSI Z21.88 (in Canada, CSA-2.33), and CAN/CGA-2.17-M91 in both USA and Canada, as a vented gas fireplace heater.

Clearances

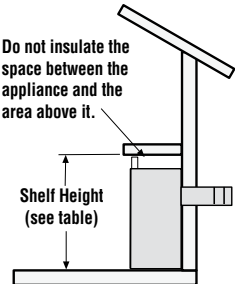


Shelf Height

Do not insulate the space between the appliance and the area above it.



Do not insulate the space between the appliance and the area above it.



Model	Top Vent with one 90° Elbow		Alternative Rear Vent applications
	Secure Vent®	Secure Flex® (flex elbow)	Secure Vent®
33" Models	44" (1118 mm)*	46" (1168 mm)*	34" (864 mm)**
35" Models	47" (1194 mm)*	49" (1245 mm)*	36-1/4" (921 mm)**
40" Models	52" (1321 mm)*	54" (1372 mm)*	40-1/2" (1029 mm)**
45" Models	50" (1270 mm)*	52" (1321 mm)*	45-1/2" (1169 mm)**

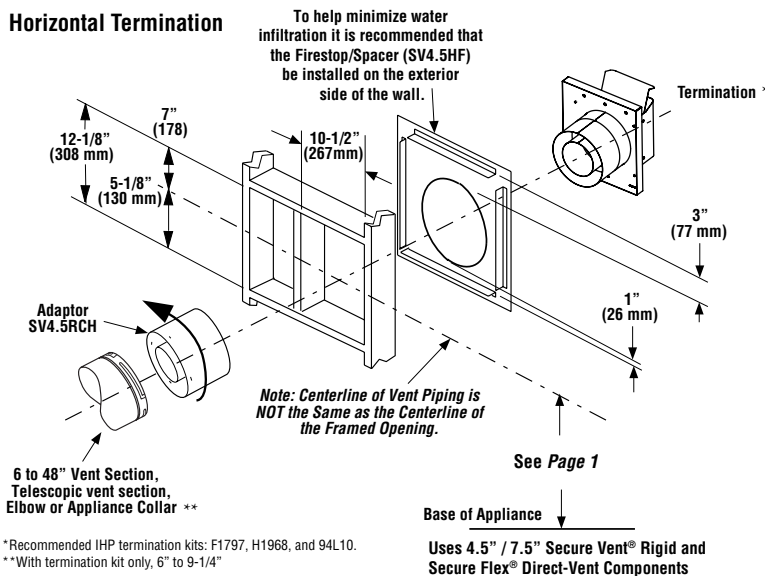
* Includes 3" clearance to combustibles (required above vent components)

** In alternative, Rear Vent applications, Top Vent will be sealed as detailed in the Installation and Operation manual.

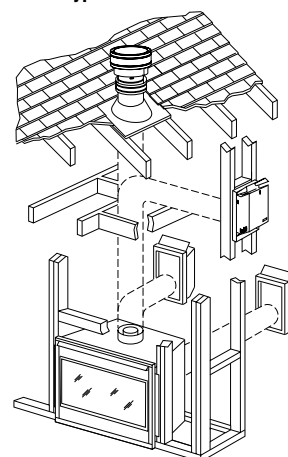
Specifications and clearances are subject to change without notice. Refer to Installation and Operation Manual before installation of these appliances for updated dimensions and instructions.

Venting

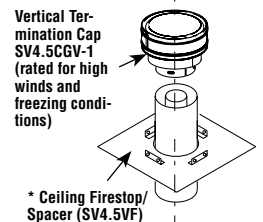
Horizontal Termination



Typical Installations



Vertical Termination



Roof Framing

