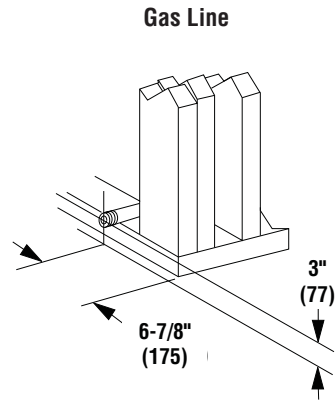
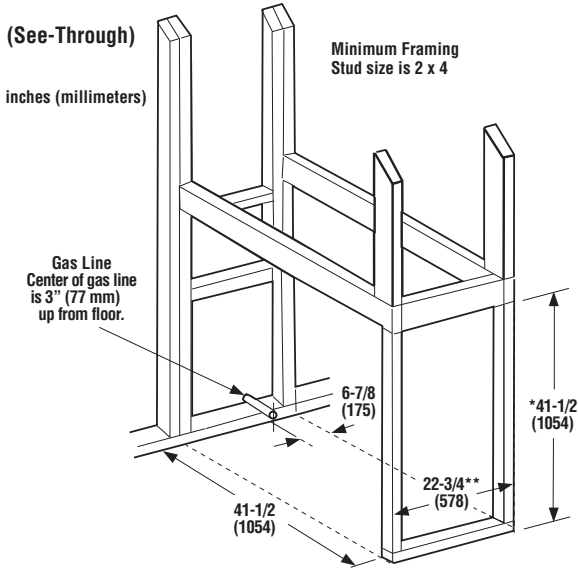


BRT40ST SERIES

B-VENT FIREPLACE

Framing Dimensions

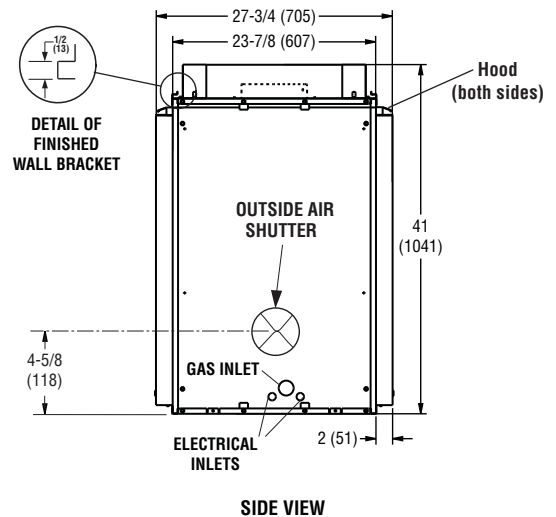
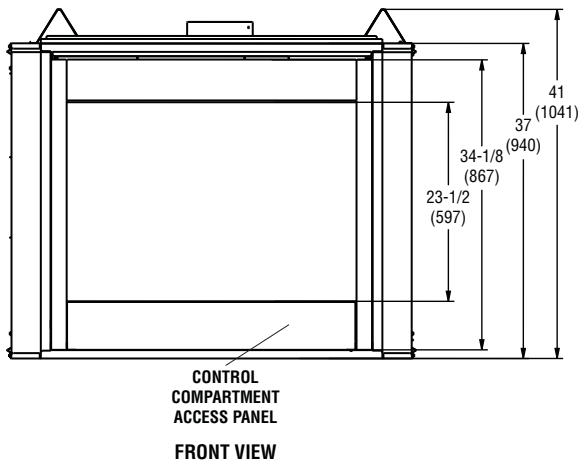
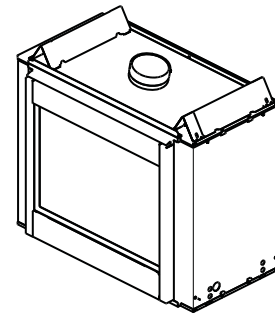
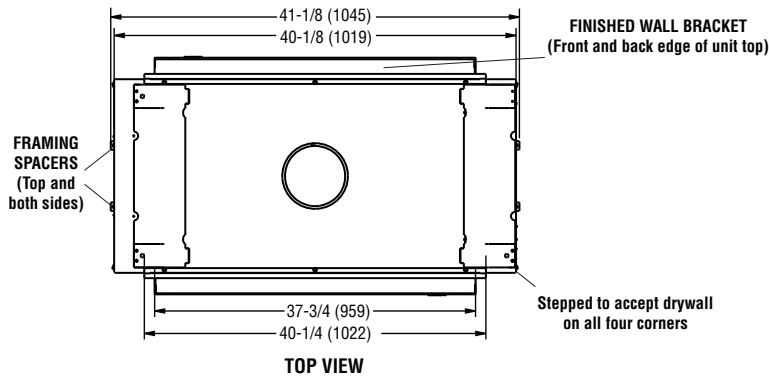


*This dimension can be reduced to 41" (1042 mm). This results in 0" (0 mm) clearance between framing and unit framing spacers (The 41-1/2" dimension permits easier fireplace installation, if unit is installed after framing is erected).

** Based on 5/8" drywall. Use 23" for 1/2" drywall.

Diagrams, illustrations and photographs are not to scale. Consult installation instructions. Product designs, materials, dimensions, specifications, colors, and prices are subject to change or discontinuance without notice.

Fireplace Dimensions



NOTE: DIAGRAMS & ILLUSTRATIONS ARE NOT TO SCALE.

BRT40ST SERIES

B-VENT FIREPLACES



Report No. F14-172

These appliances comply with National Safety Standards and is listed by PFS Corporation to ANSI Z21.50 (in Canada, CSA-2.22), and CAN/CGA-2.17-M91 in both USA and Canada, as vented gas fireplaces.

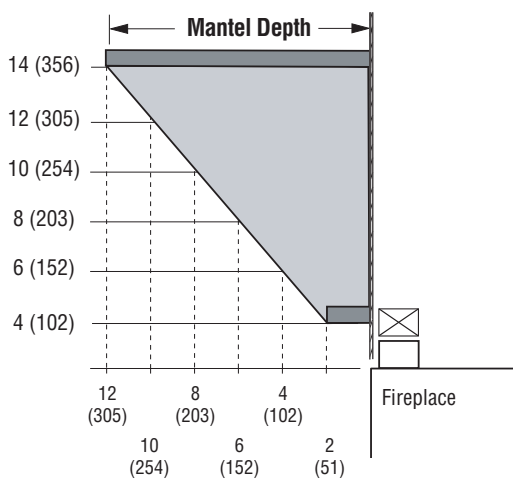
Product Information

Cat. No.	Model	Weight	Cu. Ft.
F0838	BRT40STTMN	244 lb.	41.1

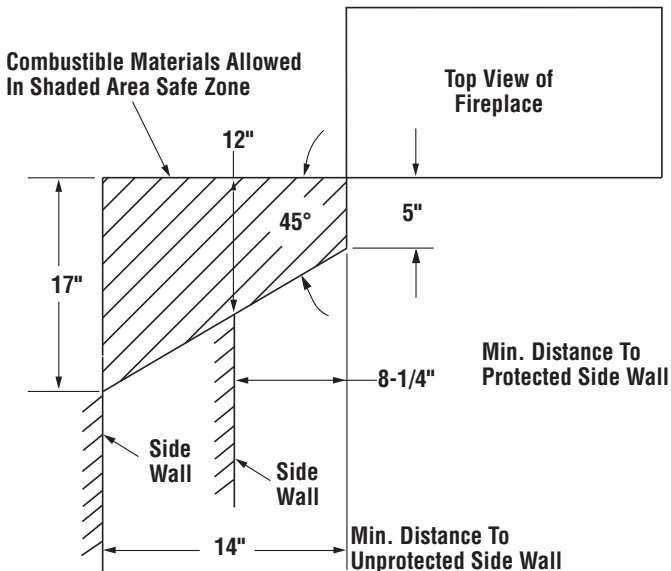
Listing Information

Clearances

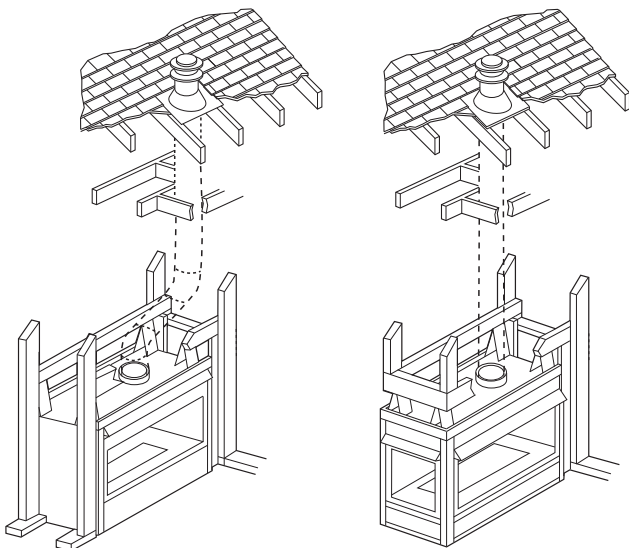
Mantel Clearance



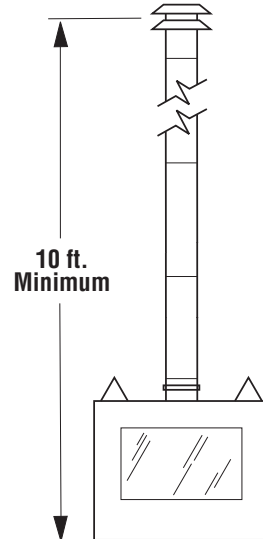
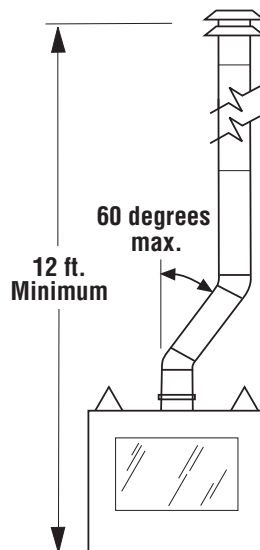
Side Wall Clearance



Venting



USES 6" B-VENT



NOTE: DIAGRAMS & ILLUSTRATIONS ARE NOT TO SCALE.

Printed in U.S.A. © 2016 Innovative Hearth Products
P/N 900623-01 REV. A 04/2017

Specifications and clearances are subject to change without notice. Refer to Installation Manual before installation of these appliances for updated dimensions and instructions.

Page 2 of 2

