



**HEARTH PRODUCTS
KITS AND ACCESSORIES**

**BI-FOLD GLASS DOOR KIT MODELS
38LBF
43LBF**

P/N 900857-00
REV. A, 09/2017

INSTALLATION INSTRUCTIONS FOR LBF SERIES BI-FOLD GLASS DOORS

MODEL 38LBF FOR USE WITH: WRT3538WS, WRT3538WH, WRT4038IS AND WRT4038IH
MODEL 43LBF FOR USE WITH: WRT3543WS, WRT3543WH, WRT4043IS AND WRT4043IH

CAT NO.	MODEL	DESCRIPTION	
BI-FOLD GLASS DOORS			
F3420	38LBF	Bi-Fold Door, 38WB Black	
F3421	43LBF	Bi-Fold Door, 43WB Black	

! WARNING

HOT GLASS WILL CAUSE BURNS. DO NOT TOUCH GLASS UNTIL COOLED. NEVER ALLOW CHILDREN TO TOUCH GLASS.

- Fireplaces surfaces get **EXTREMELY HOT!**
- Install only when fireplace is **OFF** and **COLD**.
- The glass on the front of the fireplace reaches **EXTREMELY HIGH** temperatures and can cause severe burns if touched. Even after the gas is turned off, fireplace surfaces remain extremely hot.
- Keep children away from an operating fireplace. Closely supervise children in any room where a fireplace is operating to prevent contact with glass.

! WARNING

This kit is to be installed by a qualified service technician or other qualified agency in accordance with the manufacturer's instructions and all codes and requirements of the Authority Having Jurisdiction in the USA or Canada. If these instructions are not followed exactly, a fire or explosion may result, causing property damage, personal injury, or loss of life. The qualified agency performing this work assumes responsibility for this installation.

KIT CONTENTS

DESCRIPTION	Qty.
Top door rail	1 ea.
Bi-fold door, left	1 ea.
Bi-fold door, right	1 ea.
Spring Clip Hardware Kit	1 ea.

TOOLS REQUIRED

- Medium Phillips screwdriver

GENERAL INFORMATION

The listed bi-fold glass door assemblies are designed for use with IHP fireplaces that specify 38, or 43 in. LBF series doors. Each door assembly consists of a right and left glass panel assembly with factory-mounted door handles. Each kit includes a top door rail and a spring clip hardware kit.

! WARNING: Do not alter or modify these door assemblies, or a fireplace malfunction or fire hazard may result.

ALL WARNINGS AND PRECAUTIONS IN THE INSTALLATION AND OPERATION MANUAL PROVIDED WITH THE FIREPLACE APPLY TO THESE INSTRUCTIONS.

TURN OFF THE FIREPLACE AND ALLOW IT TO COMPLETELY COOL BEFORE PROCEEDING.

INSTALLING GLASS DOOR MODELS 38LBF and 43LBF

Use only the doors that are listed for use with these fireplaces. Use of other non-listed glass door on these fireplaces may constitute a potential fire hazard and is not recommended.

1. Using a Phillips screwdriver, remove the three (3) factory installed screws underneath top front face.
2. Position the door rail and secure it with one (1) of the screws removed, start from the middle as shown in Figure 1.
3. Using remaining two (2) screws, secure both the spring clips and the rail for the left and right sides as shown in Figure 1.
4. With bi-fold doors completely folded, insert bottom pivot pin into pivot hole located near bottom corner of front face opening and swing door to vertical position making sure top pins slide into door track. Door is installed when top door pin snaps into spring clip (see Figure 2).
5. Repeat step 4 for remaining door.

If you find doors do not close properly or do not appear level or straight, proceed with section on door adjustment.

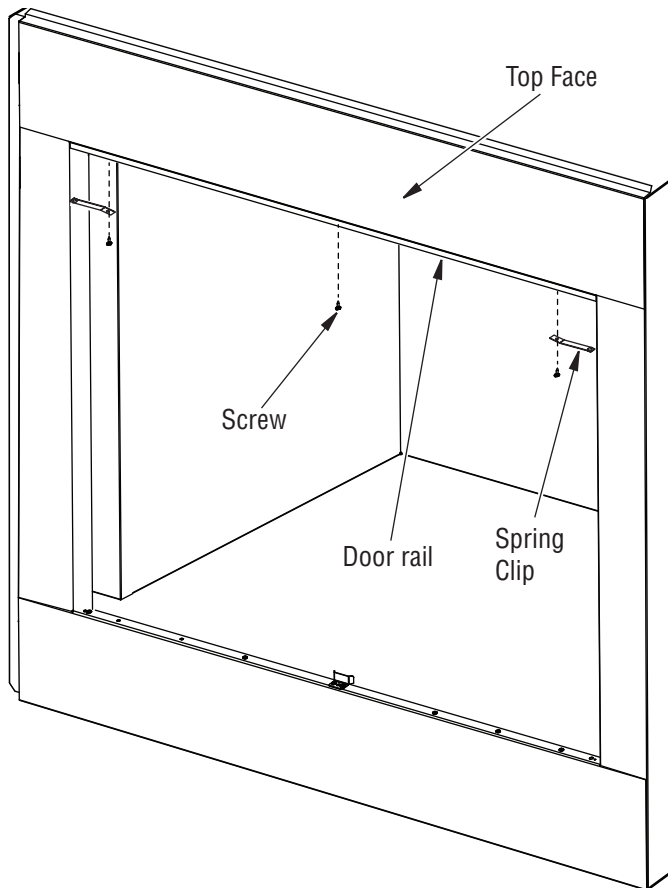


Figure 1 - Installing Door Rail

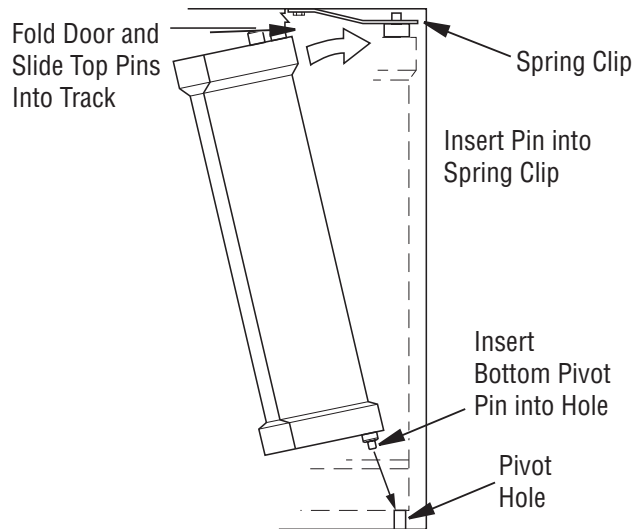


Figure 2 - Installing Bi-Fold Doors

DOOR ADJUSTMENT

Remove doors and slightly loosen upper spring clips. Replace doors and fully close them. Use 1/8" shims (any material) to level doors. Once proper setting is achieved, carefully open doors enough so that you can access spring clips with a Phillips screwdriver. Tighten screws. See Figure 3.

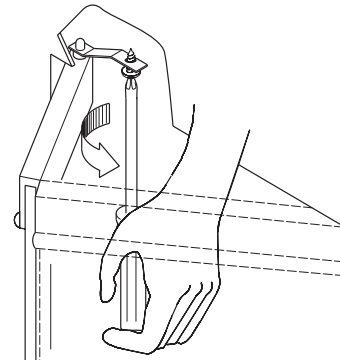


Figure 3 - Adjusting Bi-Fold Doors

NOTE: DIAGRAMS AND ILLUSTRATIONS ARE NOT TO SCALE.

IHP reserves the right to make changes at any time, without notice, in design, materials, specifications, and prices, and also to discontinue colors, styles, and products. Consult your local distributor for fireplace code information.

