



Product Ordering Guide

Indoor & Outdoor Hearth
Outdoor Kitchen & Room
Hearth Accessories

<https://stoneagemanufacturing.com>

Stone Age Manufacturing, Inc. 11107 E. 126th St. N. Collinsville, OK 74021
Phone: 918-371-8861 Fax: 918-371-8850 US Toll-Free: 877-371-8861
Ordering & Inquiries: info@stoneagemanufacturing.com

Cabinet Component System™ Construction Overview

The Cabinet Component System™ creates infinitely configurable kitchen islands, featuring our patented, glass fiber reinforced concrete panels and bracket system. Kitchen Island installations are greatly simplified, giving faster build times and lower labor cost, while delivering strength and durability far superior to any other system available. Kits may be combined or modified to create custom designs or fit unique applications. Basic assembly takes minutes, and appliance openings may be cut immediately after the panels are set, using standard masonry saw blades. Finishing may begin immediately after cutting has been completed, and appliance installation may start as soon as the finish materials have dried.

For best results, Stone Age recommends using a high quality concrete or landscape block adhesive for all Cabinet Component System™ installations.

Kit on pallet. Note: Kits up to 15' ship on a single pallet.



Step 1 - Place lower bracket and raise first panel.



Step 2 - raise next panel, running a bead of adhesive at joints.



Step 3 - Place upper bracket at joints, which give strength and maintain spacing.



Step 4 - Continue raising side panels, using adhesive and brackets.



Step 5 - Place end panel and final end bracket.



Step 6 - Place top panels and backsplash kits, if applicable.

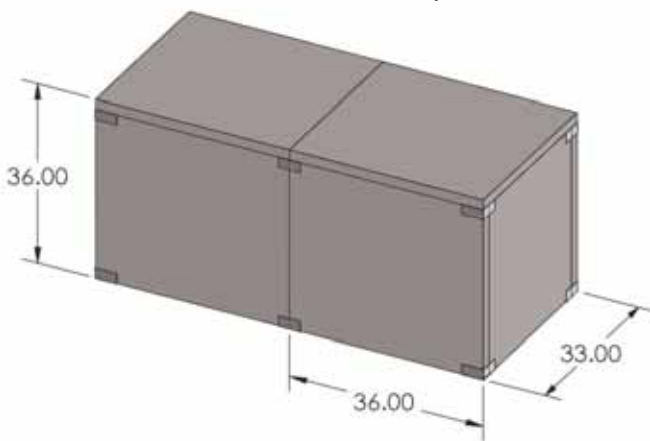


Estimated Time for Construction Steps 1 - 6 as Shown:

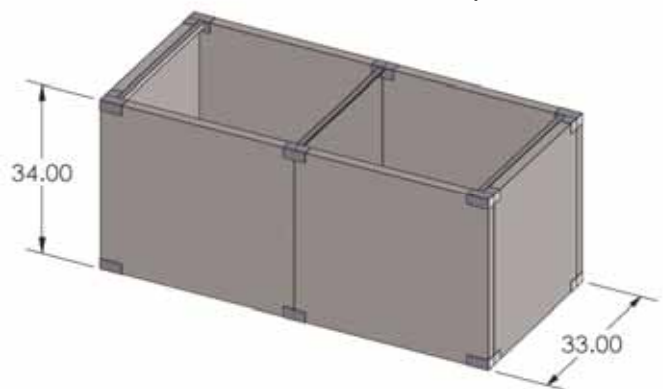
20 Minutes for an Experienced Installer.

Common Dimensions for All Models

Models With Top



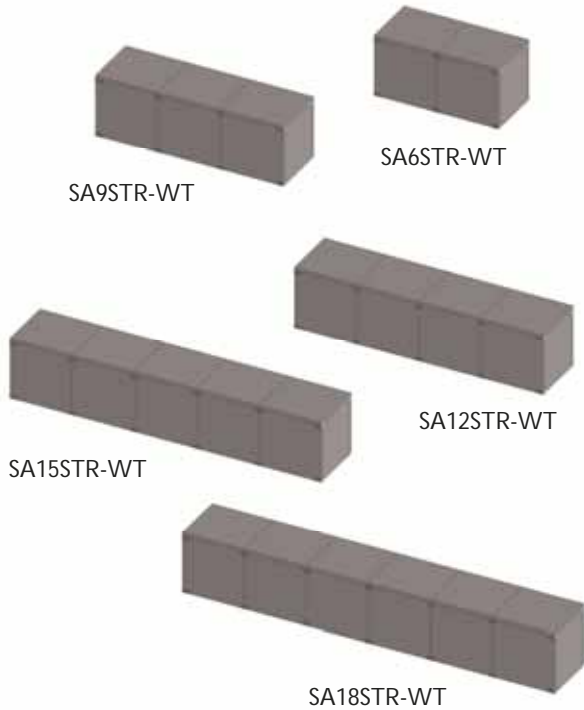
Models Without Top



Kits are listed in 3' width increments, with sizing referring to the shortest side, which is normally the front or appliance side of the unit. All models are available with or without top panels of the same material as the sidewalls. Kits with tops are recommended for installations where countertops 3" thick or less will be used, to give extra support to the finished countertop material and appliances, however, the installer may make the final decision regarding the use of kit tops. All kits are 33" deep and 36" tall with top or 34" tall without tops.

CABINET COMPONENT SYSTEM ISLANDS

STR Series



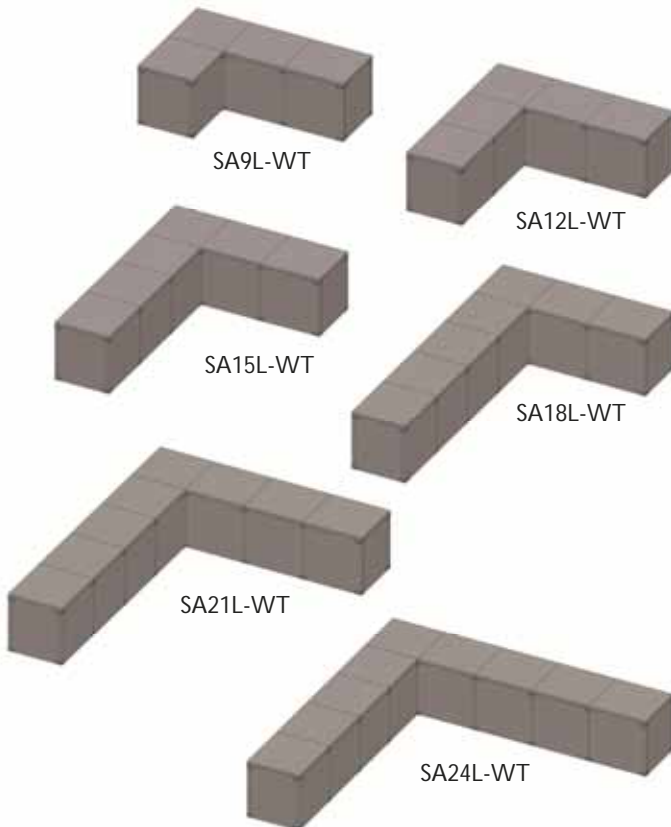
The STR Series straight islands are available in lengths of 6, 9, 12, 15 and 18, and like all Cabinet Component System™ islands, may be expanded by combining multiple kits.

Item No	Model	Weight
SA6STR-WT	6' Straight Island with Top	1120
SA6STR-WOT	6' Straight Island without Top	870
SA9STR-WT	9' Straight Island with Top	1500
SA9STR-WOT	9' Straight Island without Top	1125
SA12STR-WT	12' Straight Island with Top	1980
SA12STR-WOT	12' Straight Island without Top	1480
SA15STR-WT	15' Straight Island with Top	2475
SA15STR-WOT	15' Straight Island without Top	1850
SA18STR-WT	18' Straight Island with Top	2970
SA18STR-WOT	18' Straight Island without Top	2220

Kits are 33"d x 36"t (WT) or 33"d x 34"t (WOT)

Refer to Section 23 of Price List

L Series



L Series islands are available in 9, 12, 15, 18, 21 and 24 foot lengths. Sizing refers to the approximate length of the inside or shorter angles of the unit.

Item No	Model	Weight
SA9L-WT	9' L Island with Top	1860
SA9L-WOT	9' L Island without Top	1360
SA12L-WT	12' L Island with Top	2180
SA12L-WOT	12' L Island without Top	1555
SA15L-WT	15' L Island with Top	2520
SA15L-WOT	15' L Island without Top	1770
SA18L-WT	18' L Island with Top	3240
SA18L-WOT	18' L Island without Top	2365
SA21L-WT	21' L Island with Top	3780

CABINET COMPONENT SYSTEM ISLANDS

F Series



F Series or fanfold islands are offered in 9, 12, 15 and 18 foot lengths. Sizing refers to the approximate length of the inside or shorter angles of the unit.

Item No	Model	Weight
SA9F-WT	9' Fanfold Island with Top	1530
SA9F-WOT	9' Fanfold Island without Top	980
SA12F-WT	12' Fanfold Island with Top	2100
SA12F-WOT	12' Fanfold Island without Top	1425
SA15F-WT	15' Fanfold Island with Top	2550
SA15F-WOT	15' Fanfold Island without Top	1750
SA18F-WT	18' Fanfold Island with Top	3060
SA18F-WOT	18' Fanfold Island without Top	2135

Kits are 33"d x 36"t (WT) or 33"d x 34"t (WOT)

Refer to Section 25 of Price List



SA9F-WT



SA12F-WT



SA15F-WT



SA18F-WT

FF Series



FF Series or double-fanfold islands are available in 9, 12, 15 and 18 foot lengths. Sizing refers to the approximate length of the inside or shorter angles of the unit.

Item No	Model	Weight
SA9FF-WT	9' Double Fanfold Island with Top	1530
SA9FF-WOT	9' Double Fanfold Island without Top	980
SA12FF-WT	12' Double Fanfold Island with Top	2100
SA12FF-WOT	12' Double Fanfold Island without Top	1425
SA15FF-WT	15' Double Fanfold Island with Top	2550
SA15FF-WOT	15' Double Fanfold Island without Top	1750
SA18FF-WT	18' Double Fanfold Island with Top	3060



SA9FF-WT



SA12FF-WT



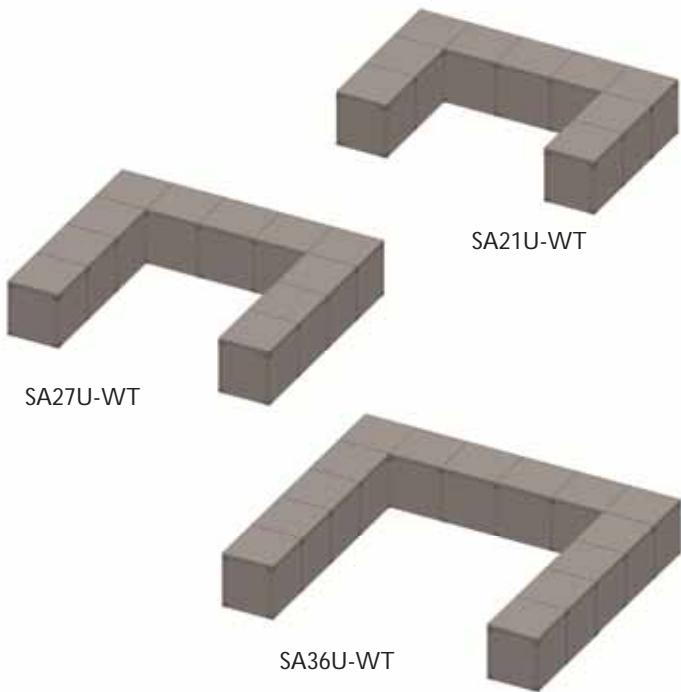
SA15FF-WT



SA18FF-WT

CABINET COMPONENT SYSTEM ISLANDS

U Series



U Series islands provide plenty of counter space and are offered in 21, 27 and 36 foot lengths. Sizing refers to the approximate length of the inside or shorter angles of the unit.

Item No	Model	Weight
SA21U-WT	21' U Island with Top	3780
SA21U-WOT	21' U Island without Top	2655
SA27U-WT	27' U Island with Top	4860
SA27U-WOT	27' U Island without Top	3485
SA36U-WT	36' U Island with Top	6480
SA36U-WOT	36' U Island without Top	4730

Kits are 33"d x 36"t (WT) or 33"d x 34"t (WOT)

Refer to Section 27 of Price List

Spare Parts, In-Line Island Kits, L and F Conversion Kits

Stone Age Manufacturing offers several kits designed to simplify common inventory challenges. The Spare Parts kit includes several spares of frequently used island panels & brackets, the In-Line Island kits includes panels and brackets to add straight 3' inline sections to standard kits, and the L and F conversion kits include panels and brackets to allow conversion of 2 STR island kits into L or F island configurations.

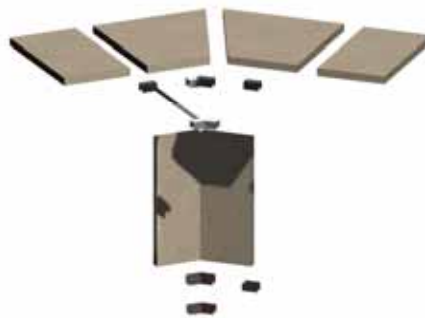
Item No	Model	Weight
SA-CCS-SPK	CCS Spare Parts Kit	1950
SA3INL	3' Inline Island Section, With Top	400
SA3LCON	3' L Conversion Kit, With Top	500
SA3FCON	3' F Conversion Kit, With Top	550

New

Refer to Section 30 of Price List



SA3INL



SA3FCON



SA3LCON

Radiused Series

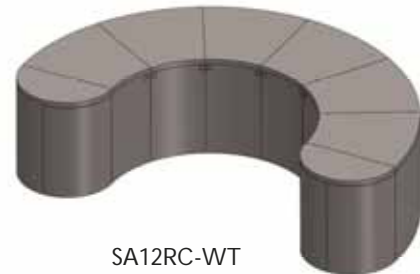
The Radius Series islands offer flexibility in design never before available in modular masonry kits, and may be further customized by combining multiple kits and configurations.

Note: Radiused Series kits include 2 Radiused End Caps.

Item No	Model	Weight
SA12RC-WT	12' Radiused C Island with Top	1692
SA12RC-WOT	12' Radiused C Island without Top	1108
SA18RL-WT	18' Radiused L Island with Top	2994
SA18RL-WOT	18' Radiused L Island without Top	2162
SA21RJ-WT	21' Radiused J Island with Top	3092
SA21RJ-WOT	21' Radiused J Island without Top	2133
SA24RU-WT	24' Radiused U Island with Top	3932
SA24RU-WOT	24' Radiused U Island without Top	2848
SA27RS-WT	27' Radiused S Island with Top	3168
SA27RS-WOT	27' Radiused S Island without Top	2080

Kits are 33"d x 36"t (WT) or 33"d x 34"t (WOT)

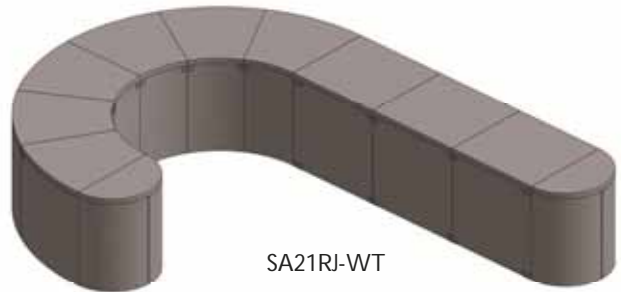
Refer to Section 28 of Price List



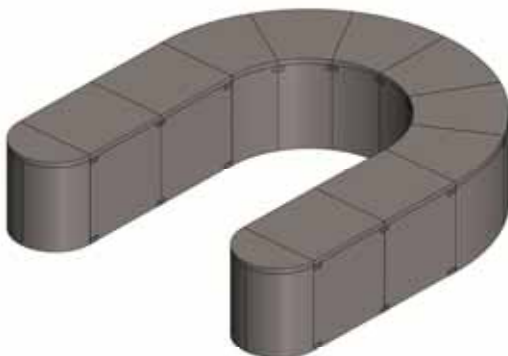
SA12RC-WT



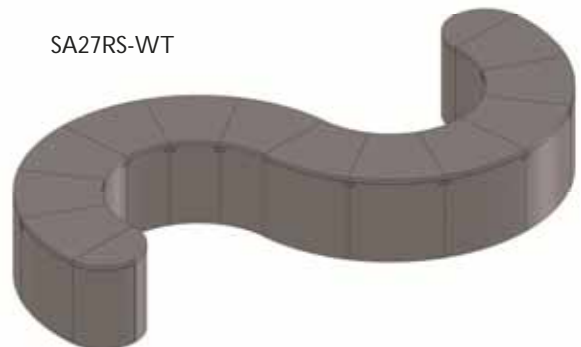
SA18RL-WT



SA21RJ-WT



SA24RU-WT



SA27RS-WT

RADIUSED ISLAND SECTIONS

Radiused Island Sections

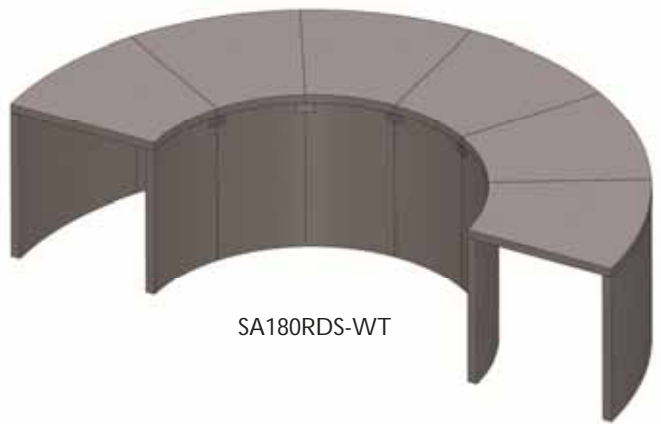
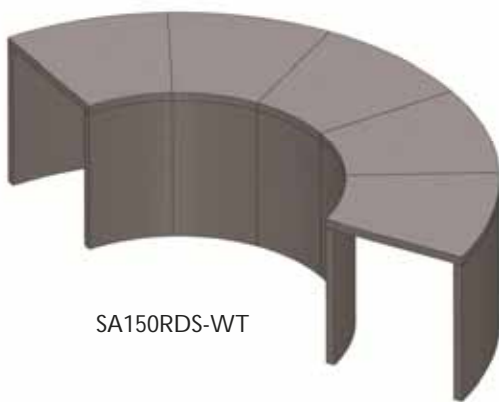
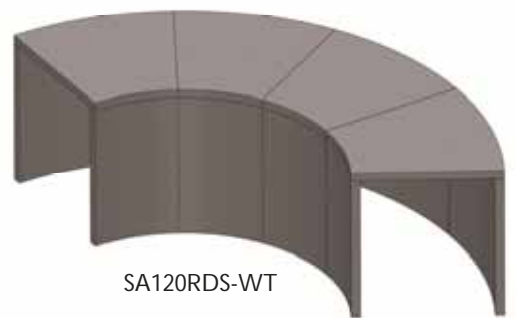
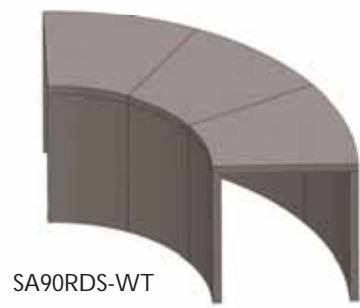
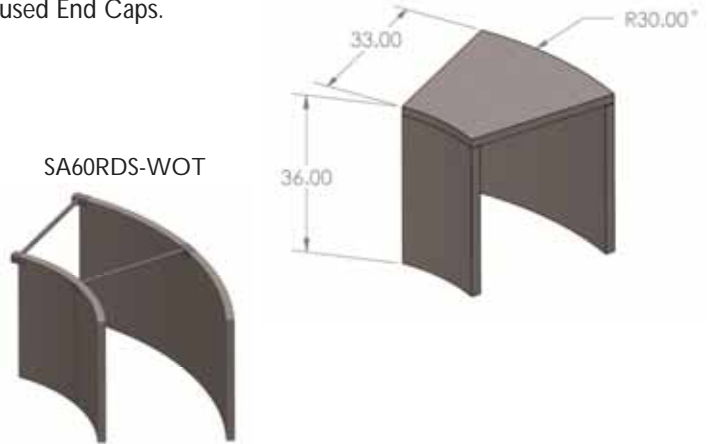
Radiused Series islands sections are offered as kits in 30° increments, up to 180°, and are intended for applications where they will be combined with additional radiused sections to create circular layouts of greater than 180°, or with standard Cabinet Component System™ kits, for unique, highly customized island layouts.

Radiused Island Section kits do not include end panels or Radiused End Caps.

Item No	Model	Weight
SA30RDS-WT	30° Radiused Section with Top	246
SA30RDS-WOT	30° Radiused Section without Top	162
SA60RDS-WT	60° Radiused Section with Top	492
SA60RDS-WOT	60° Radiused Section without Top	324
SA90RDS-WT	90° Radiused Section with Top	738
SA90RDS-WOT	90° Radiused Section without Top	486
SA120RDS-WT	120° Radiused Section with Top	984
SA120RDS-WOT	120° Radiused Section without Top	648
SA150RDS-WT	150° Radiused Section with Top	1230
SA150RDS-WOT	150° Radiused Section without Top	810
SA180RDS-WT	180° Radiused Section with Top	1476
SA180RDS-WOT	180° Radiused Section without Top	972

Kits are 33"d x 36"t (WT) or 33"d x 34"t (WOT)

Refer to Section 29 of Price List



RADIUSED END CAPS AND BACKSPLASH KITS

Radiused End Caps

Radiused End Caps may be added to create a unique finishing touch to any Cabinet Component System™ island kit, and may also be used to create stand-alone tables or fire and cooler features.

Radiused End Cap kits do not include Radiused End Backsplash or Bar Top Backsplash.

SA-RDS-END-WT

Item No	Model	Weight
SA-RDS-END-WT	Radiused End Cap with Top	108
SA-RDS-END-WOT	Radiused End Cap without Top	68
SA-RDS-ET-WT	Radiused End Table with Top	216
SA-RDS-ET-WOT	Radiused End Table without Top	136
SA-RDS-ETBS-WT	Radiused End Table with Bar Top	216
SA-RDS-ETBS-WOT	Radiused End Table with Backsplash	136



Refer to Section 29 of Price List



Radiused End Table with Backsplash and Bar Top Kits



Radiused End Caps with C Island Kit

Backsplash Kits

Cabinet Component Backsplash kits are offered in two configurations, standard backsplash and backsplash with bar top. Kits vary in length, depending upon model. Multiple kits can be added to any Cabinet Component System™ island. Kits are 8 inches tall, and when assembled, have a 2 inch by 6 inch interior space that can be used as an electrical chase. Bar top backsplash kits feature a 6 inch overhang with metal bracketing for extra stability.

Available in straight, radiused, reversed radiused, and radiused end configurations.

Item No	Model	Weight
SA-BSWT	3' Backsplash Kit with Bar Top	80
SA-BSWOT	3' Backsplash Kit without Bar Top	55
SA-RBSWT	3', 30° Backsplash Kit with Bar Top	76
SA-RBSWOT	3', 30° Backsplash Kit without Bar Top	58
SA-REVRBSWT	18", 30° Reverse Backsplash Kit with Bar Top	46
SA-REVRBSWOT	18", 20° Reverse Backsplash Kit without Bar Top	36
SA-REBSWT	16 1/2", 90° End Cap Backsplash Kit with Bar Top	52
SA-REBSWOT	16 1/2", 90° End Cap Backsplash Kit without Bar Top	40



Refer to Section 31 of Price List

SA-BSWOT



SA-RBSWOT



SA-REVRBSWOT



SA-REBSWOT



SA-BSWT



SA-RBSWT



SA-REVRBSWT



SA-REBSWT



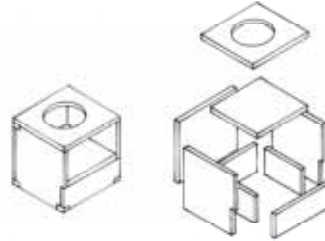
SPECIALTY & ISLAND DETAIL KITS

Ceramic Cooker Island Kits



Ceramic Cooker Island Kits eliminate the difficulties of installing these popular charcoal grills in an outdoor kitchen island. Our kits are configured with an open front for easy access to lower air vents, but can easily be configured with doors to match the other appliances in an application. The 22" diameter top cut- out fits the most popular sized round cookers, or may be modified to fit oversized or oval designs.

Item No	Model	Weight
SA-CERC	Ceramic Cooker Kit	850



Refer to Section 32 of Price List

Counter Height Extension Kits



Counter Height Extension Kits offer a simple and effective solution when taller countertops are desired. Kits are 36" wide by 33" deep by 6" tall, and are installed directly on the island kit walls, with the island's countertop placed on top of the extensions.

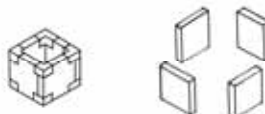
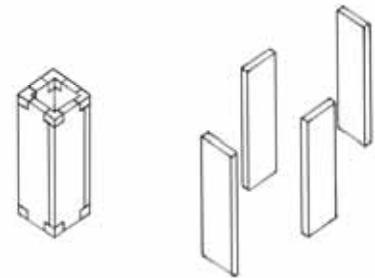
Item No	Model	Weight
SA-CHE	Height Extension Kit	95

Refer to Section 32 of Price List

Column & Seat Wall Kits

Column and Seat Wall Kits quickly create beautiful accents, while greatly simplifying the application of masonry finishes, and may be incorporated into walls, fencing or other applications. Column Kits are 36" tall by 14" wide, and 12" height extension kits are available if taller columns are desired. Seat Walls are easily created using our 36" wide by 12" deep by 18" tall kits, and can be trimmed to fit any angle or radius.

Item No	Model	Weight
Item No	Model	Weight
SA-TC-3	Column Kit	176
SA-CEXT	Column Extension Kit	60
SA-SW-3	Seat Wall Kit	170



Refer to Section 32 of Price List