

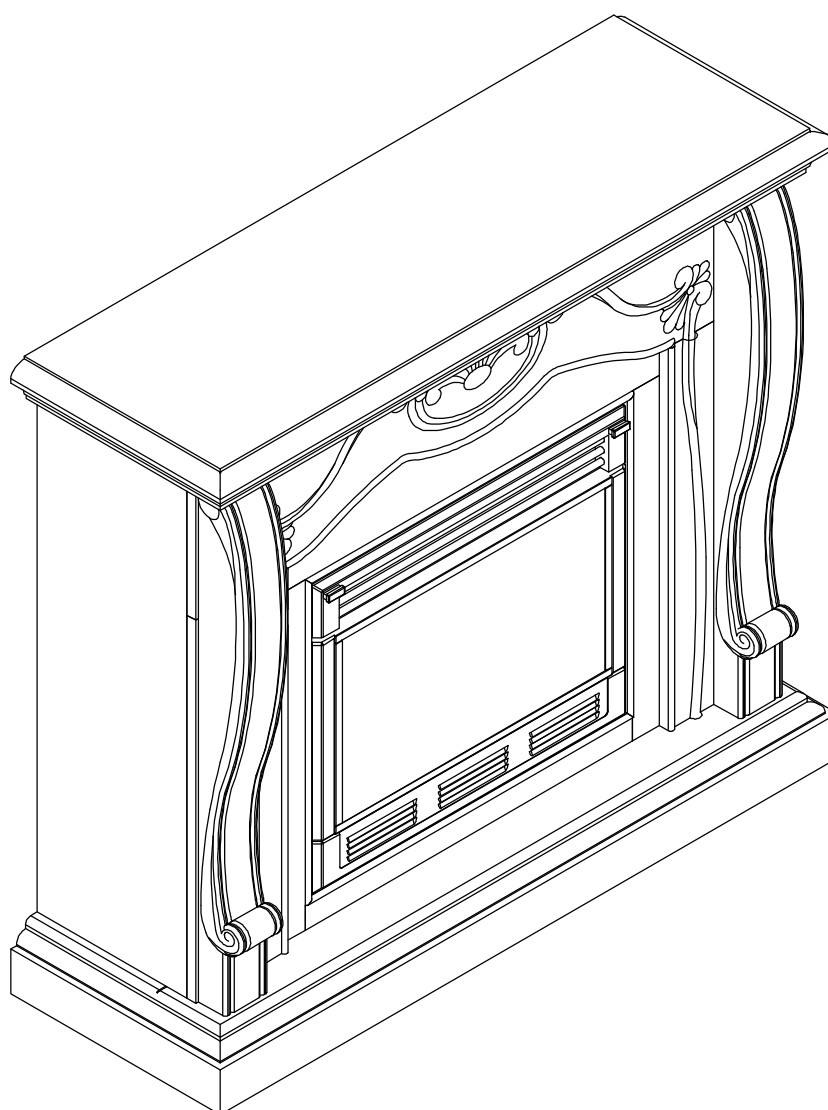
CARDONA FIREPLACE MANTLE

FA966400TX--WALNUT

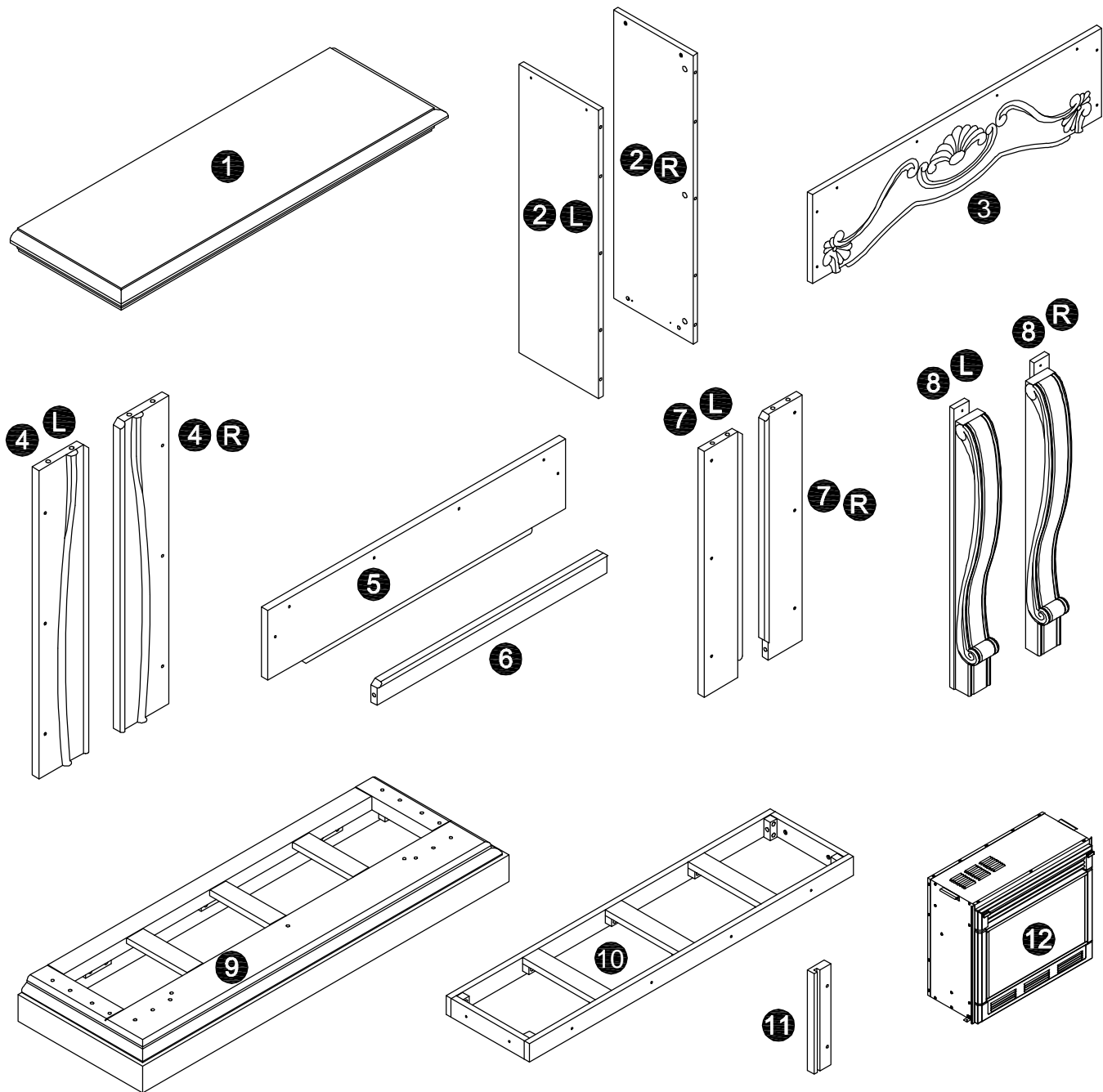
ASSEMBLY INSTRUCTION



For assistance with assembly contact:
Southern Enterprises Inc.
Customer Service 1-800-633-5096
service@seidal.com
www.seidal.com



PACKAGE CONTENTS

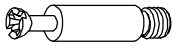


PART	DESCRIPTION	QUANTITY
1	Top Panel	1
2	Side Panel(L/R)	2
3	Upper Front Panel(L&R)	1
4	Side Front Panel (L&R)	2
5	Upper Block Fire Panel	1
6	Lower Block Fire Panel	1

PART	DESCRIPTION	QUANTITY
7	Side Block Fire Panel (L&R)	2
8	Front Side Upright(L&R)	2
9	Base	1
10	Inside Frame	1
11	Wood Holder	2
12	Firebox(sold in a separate carton)	1

HARDWARE CONTENTS (shown actual size)

A



Cam Bolt
Qty. 12

B



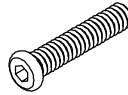
Wood Dowel
Qty. 17

C



Cam Lock
Qty. 12

D



Hexagon Socket Bolt
Qty. 8

E



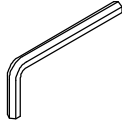
Spring Washer
Qty. 8

F



Flat Washer
Qty. 8

G



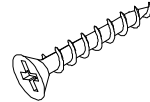
Allen Wrench
Qty. 1

H



Cross Socket Nut
Qty. 8

I



Flat Head Screw
Qty. 44

SAFETY INFORMATION

please read and understand this entire manual before attempting to assemble, operate or install the product. If you have any questions regarding the product, please call customer service at 800-633-5096 or in Dallas 972-869-0111/ 9am - 4pm Mon-Fri.

WARNING

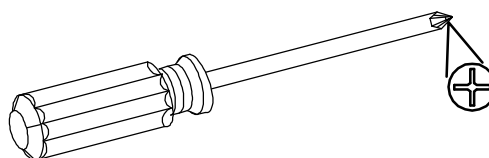
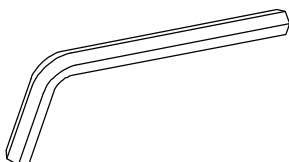
- Product is heavy and should be assembled near its desired location.
- It is recommended that two people move the finished Product to prevent injury.

PREPARATION

Before beginning assembly of product, make sure all parts are present. Compare parts with package contents list and hardware contents above. If any part is missing or damaged, do not attempt to assemble the product. Contact customer service for replacement parts.

Estimated Assembly Time: 60 minutes

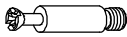


Tools Required for Assembly: Allen Wrench (included), Phillips Screwdriver (not included)

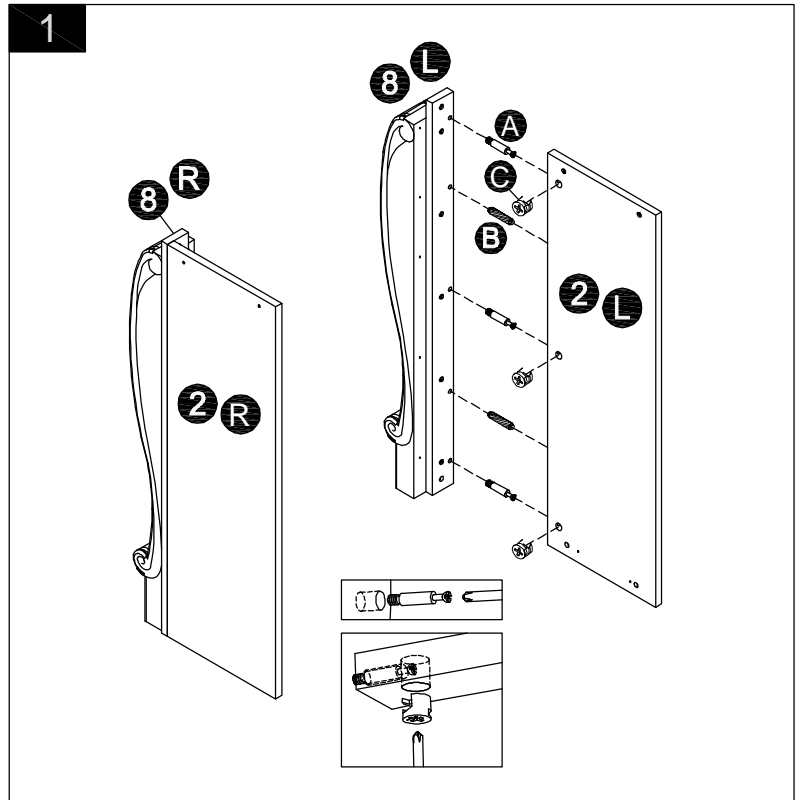


ASSEMBLY INSTRUCTIONS

1. Insert cam locks(C) into predrilled holes on side panel(2L).Screw cam bolt(A) into predrilled holes on front Side Uprightl (8L). Attach front Side Uprightl (8L) to side panel(2L) by slipping wood dowel(B) & cam bolt(A) into corresponding predrilled holes until front Side Uprightl (8L) & side panel(2L) meet. Secure by rotating cam lock (C) counterclockwise with Phillips screwdriver. Repeat with front Side Uprightl (8R) & side panel(2R)







Hardware Used

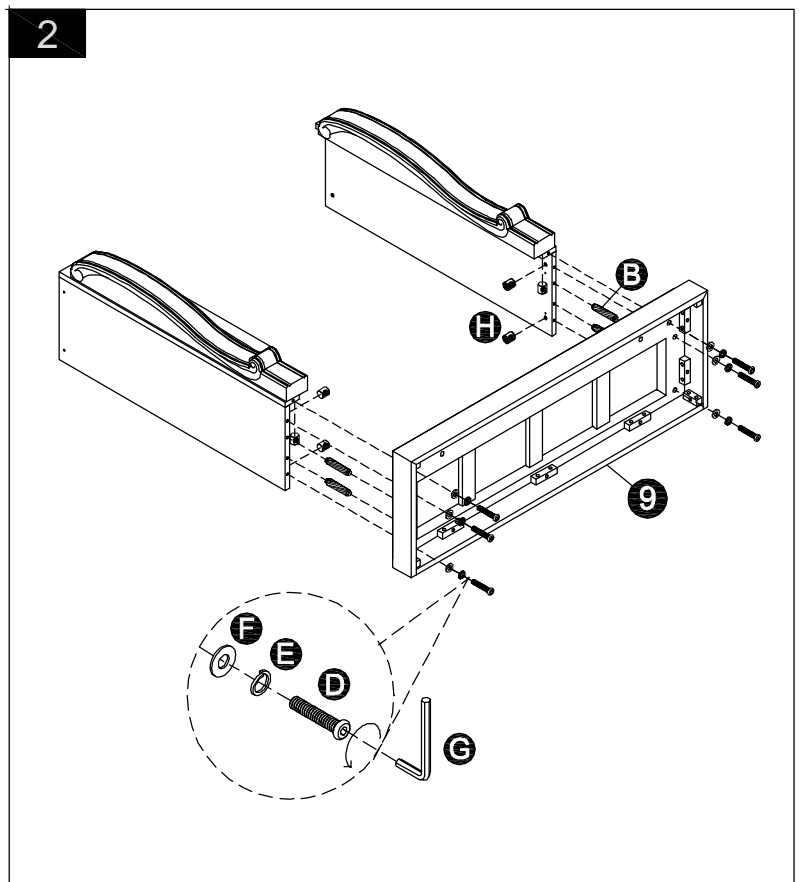
A		Cam Bolt	X 6
B		Wood Dowel	X 4
C		Cam Lock	X 6



2. Insert cross socket nut (H) into predrilled holes on assembled unit in the step 1. Attach base (9) to assembled unit in the step 1 by slipping wood dowel(B) into corresponding predrilled holes until base (9) & assembled unit in the step 1 meet. Use allen wrench (G) & hexagon socket bolt (D) & spring washer (E) & flat washer (F) connect base(9) & assembled unit in the step 1 together.

Hardware Used

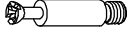


B		Wood Dowel	X 4
D		Hexagon Socket Bolt	X 6
F		Flat Washer	X 6
E		Spring Washer	X 6
G		Allen Wrench	X 1
H		Cross Socket Nut	X 6

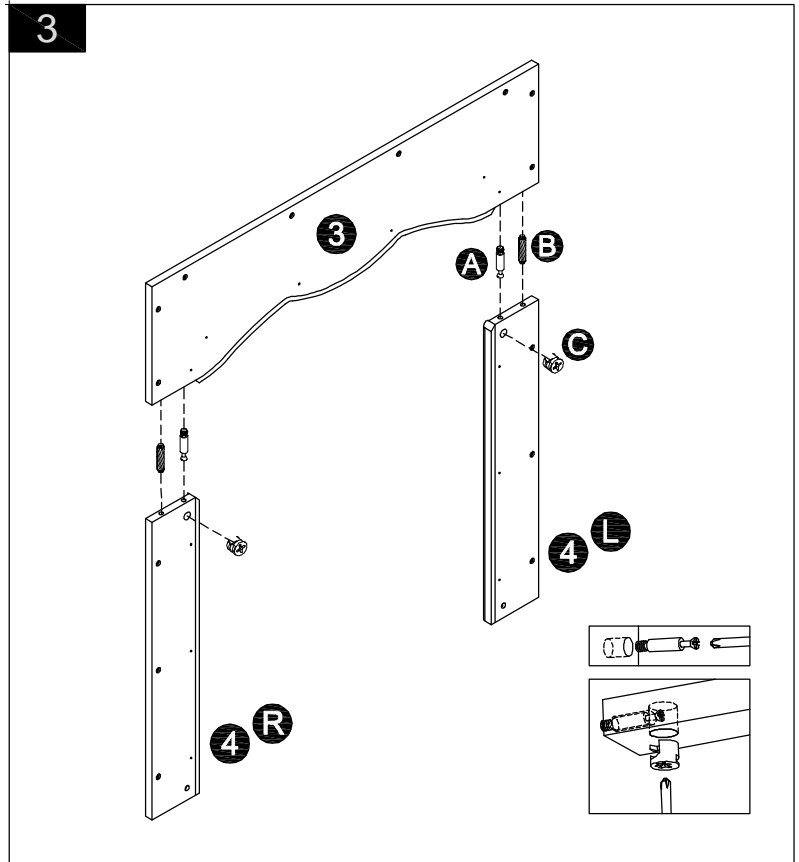


ASSEMBLY INSTRUCTIONS

3. Insert cam locks(C) into predrilled holes on side front panels(4L&R).Screw cam bolt(A) into predrilled holes on upper front panel (3). Attach upper front panel (3) to side front panels(4L&R) by slipping wood dowel(B) & cam bolt(A) into corresponding predrilled holes until upper front panel (3) & side front panels(4L&R) meet. Secure by rotating cam lock (C) counterclockwise with Phillips screwdriver.

Hardware Used

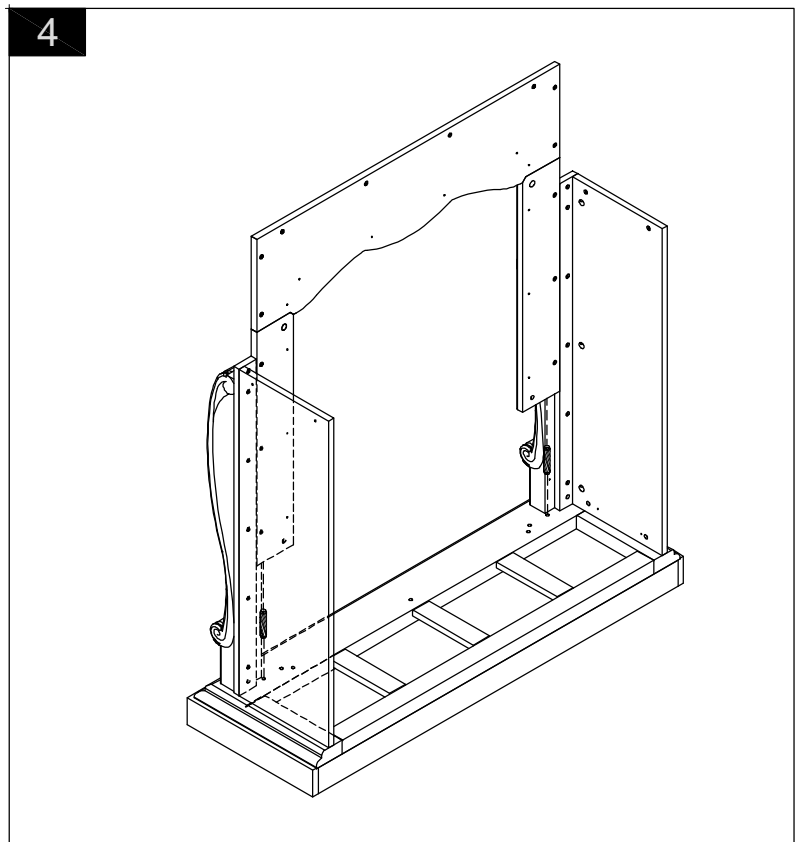
A		Cam Bolt	X 2
B		Wood Dowel	X 2
C		Cam Lock	X 2



4. Insert wood dowel(B) into predrilled holes on assembled unit in the step 2. Insert assembled unit in the step 3 into assembled unit in the step 2, as shown in the step 4.

Hardware Used

B		Wood Dowel	X 2
----------	---	------------	-----

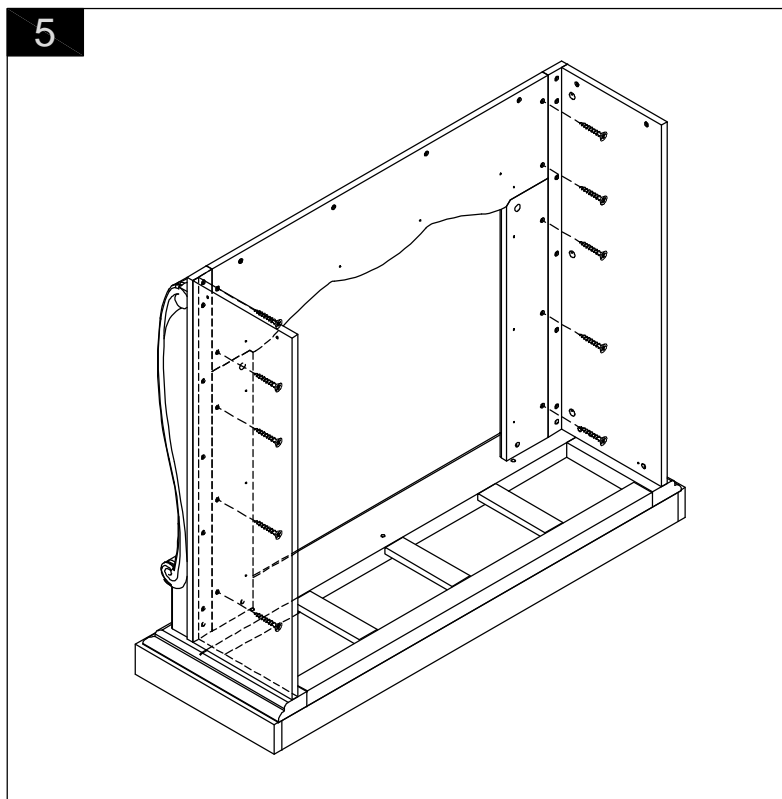


ASSEMBLY INSTRUCTIONS

5. Inserting flat head screw (I) into predrilled holes and tightening with Phillips screwdriver(not included).

Hardware Used

I  Flat Head Screw X 10



6. Insert cross socket nut (H) into predrilled holes on side front panels(4L&R). Use allen wrench (G) & hexagon socket bolt (D) & spring washer (E) & flat washer (F) connect base(9) & assembled unit in the step 3 together.

Hardware Used

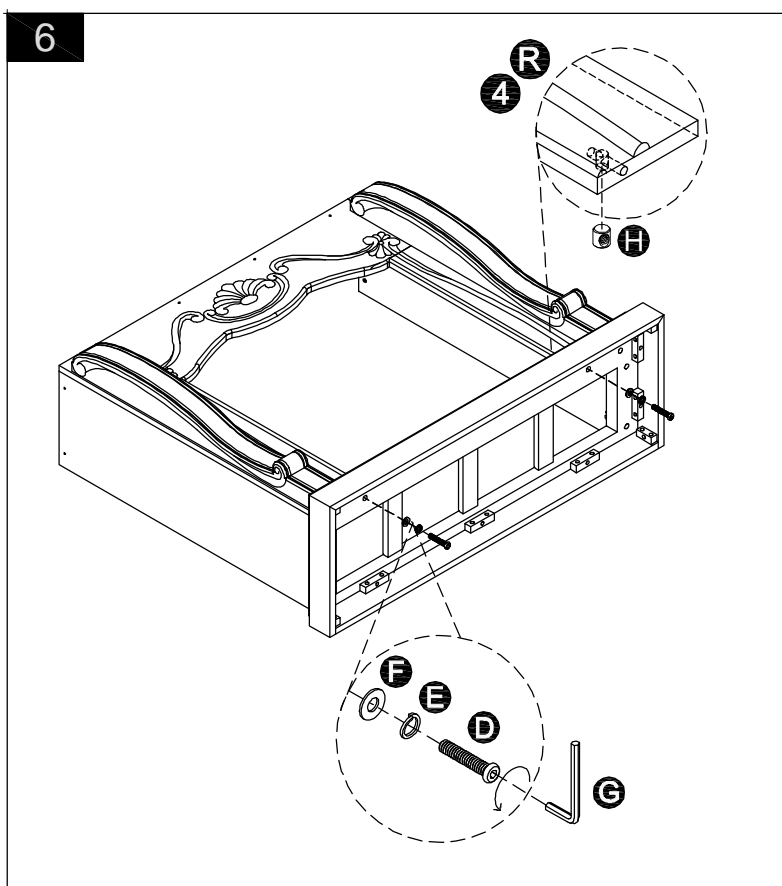
D  Hexagon Socket Bolt X 2

F  Flat Washer X 2

E  Spring Washer X 2

G  Allen Wrench X 1

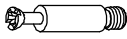

H  Cross Socket Nut X 2

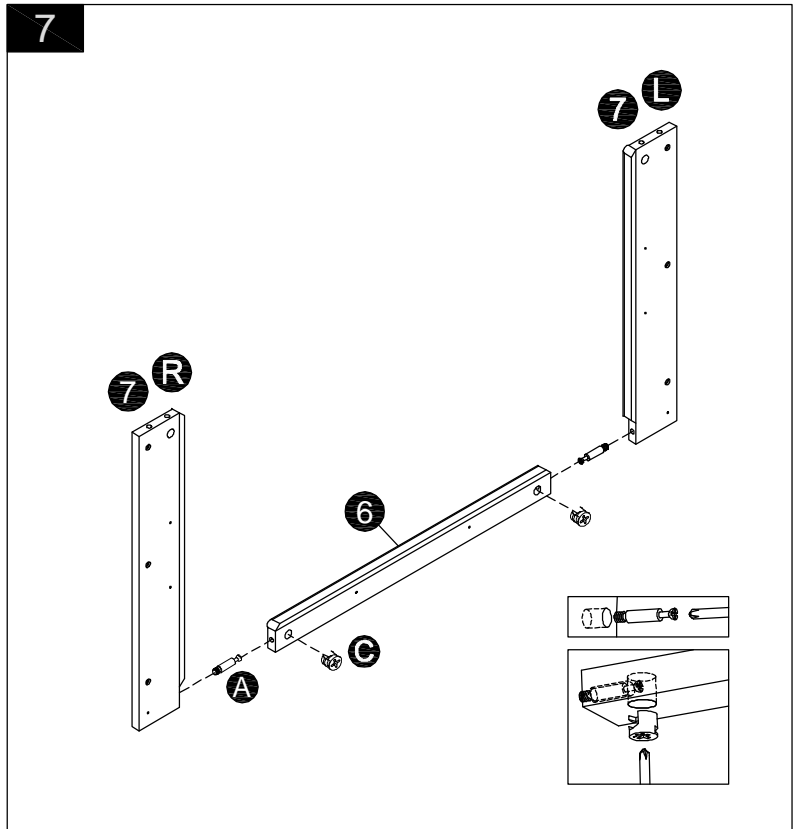


ASSEMBLY INSTRUCTIONS

7. Insert cam locks(C) into predrilled holes on lower block fire panel (6).Screw cam bolt(A) into predrilled holes on side block fire panels(7L&R).Attach side block fire panels (7L&R) to lower block fire panel (6) by cam bolt(A) into corresponding predrilled holes until side block fire panels (7L&R) & lower block fire panel (6) meet.Secure by rotating cam lock (C) counterclockwise with Phillips screwdriver.

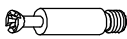


Hardware Used

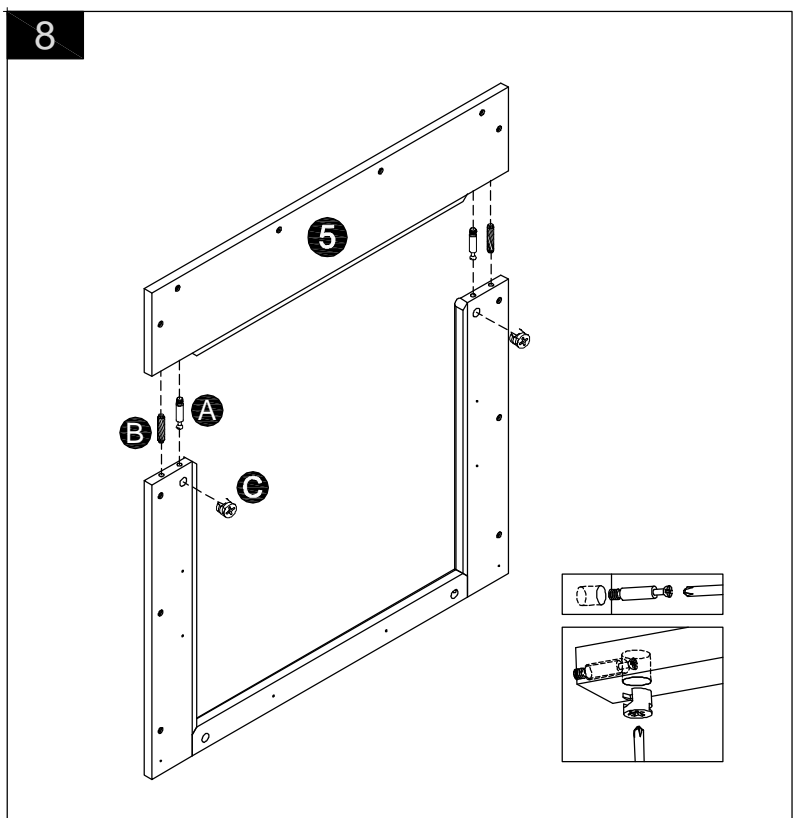
A		Cam Bolt	X 2
C		Cam Lock	X 2



8. Insert cam locks(C) into predrilled holes on side block fire panels(7L&R).Screw cam bolt(A) into predrilled holes on upper block fire panel(5). Attach upper block fire panel(5) to assembled unit in the step 7 by slipping wood dowel(B) & cam bolt(A) into corresponding predrilled holes until upper block fire panel(5) & assembled unit in the step 7 meet.Secure by rotating cam lock (C) counterclockwise with Phillips screwdriver.

Hardware Used

A		Cam Bolt	X 2
B		Wood Dowel	X 2
C		Cam Lock	X 2

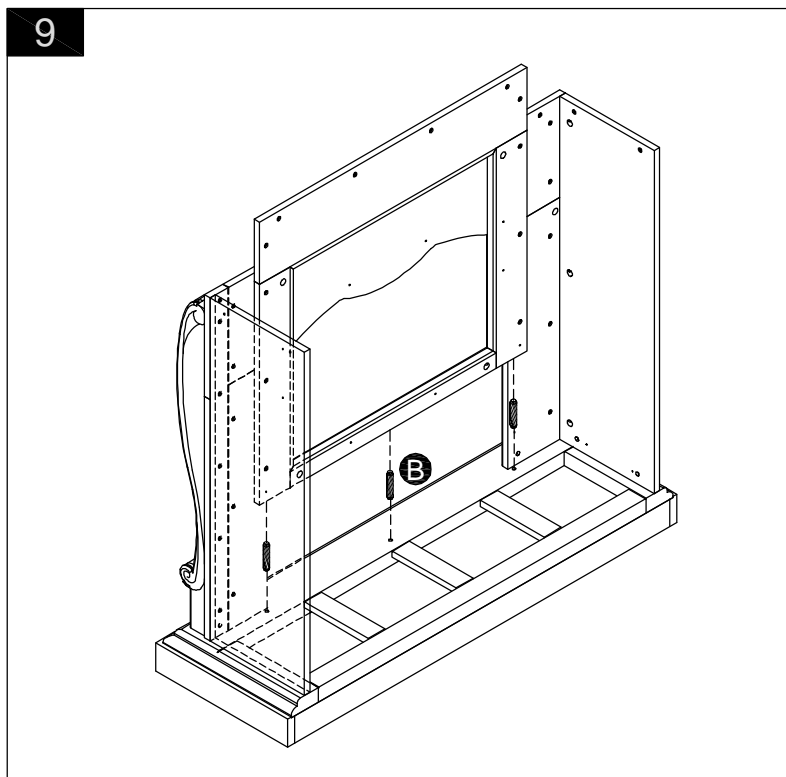


ASSEMBLY INSTRUCTIONS

9. Insert wood dowel(B) into predrilled holes on base(9). Insert assembled unit in the step 8 into assembled unit in the step 6.

Hardware Used

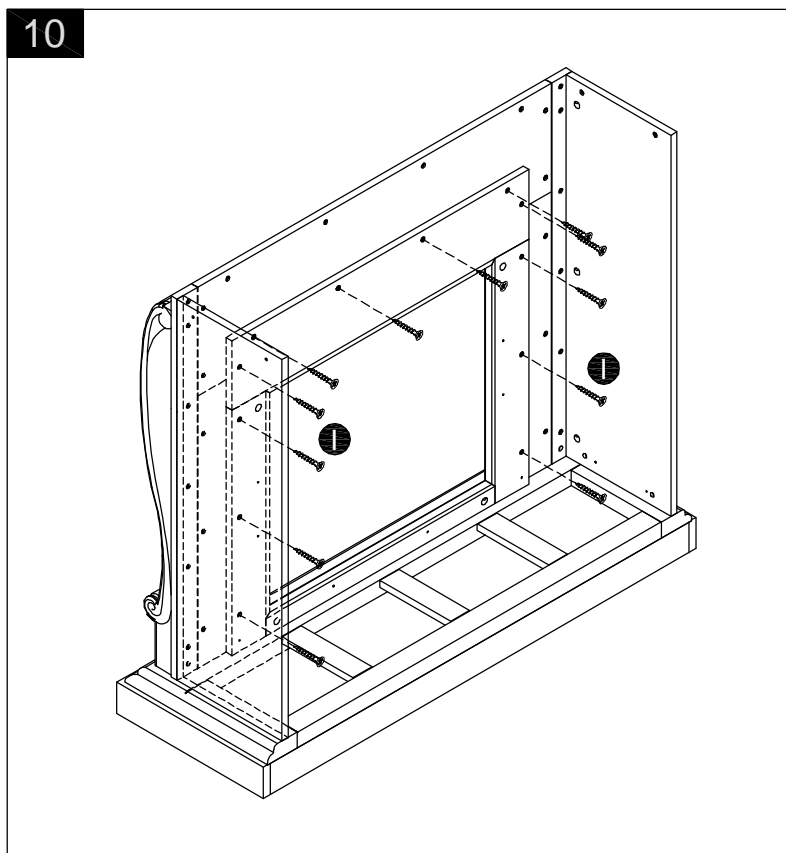
B  Wood Dowel X 3



10. Inserting flat head screw (I) into predrilled holes and tightening with Phillips screwdriver(not included),as shown in the step 10

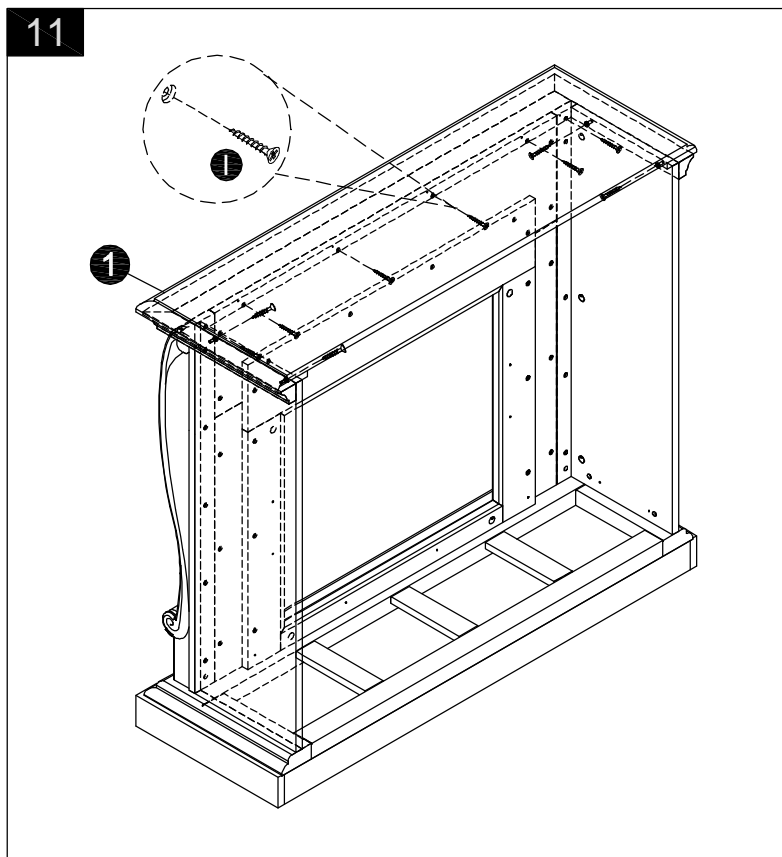
Hardware Used

I  Flat Head Screw X 12



ASSEMBLY INSTRUCTIONS

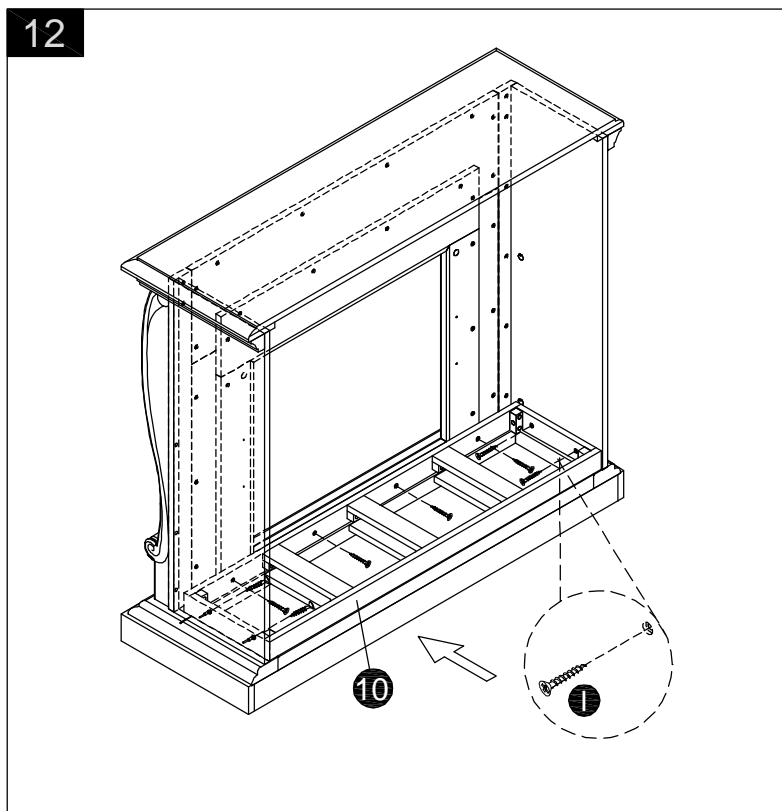
11. Attached top panel(1) by inserting flat head screw (I) into predrilled holes and tightening with Phillips screwdriver(not included).



Hardware Used

I  Flat Head Screw X10

12. Insert inside frame(10) into assembled unit in the step 11. Inserting flat head screw (I) into predrilled holes and tightening with Phillips screwdriver(not included)



Hardware Used

I  Flat Head Screw X 8

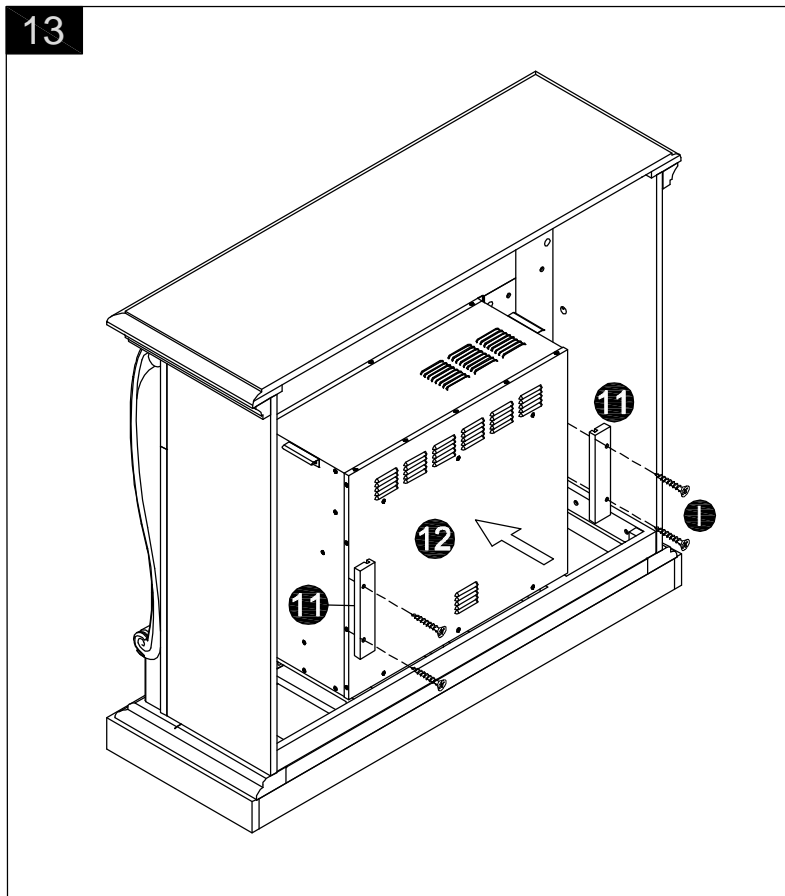
ASSEMBLY INSTRUCTIONS

13. Insert firebox(12) to the related place of assembled unit. Attached wood holder (11) by inserting flat head screw(1) into corresponding predrilled holes and tightening with Phillips screwdriver(not included).

Hardware Used

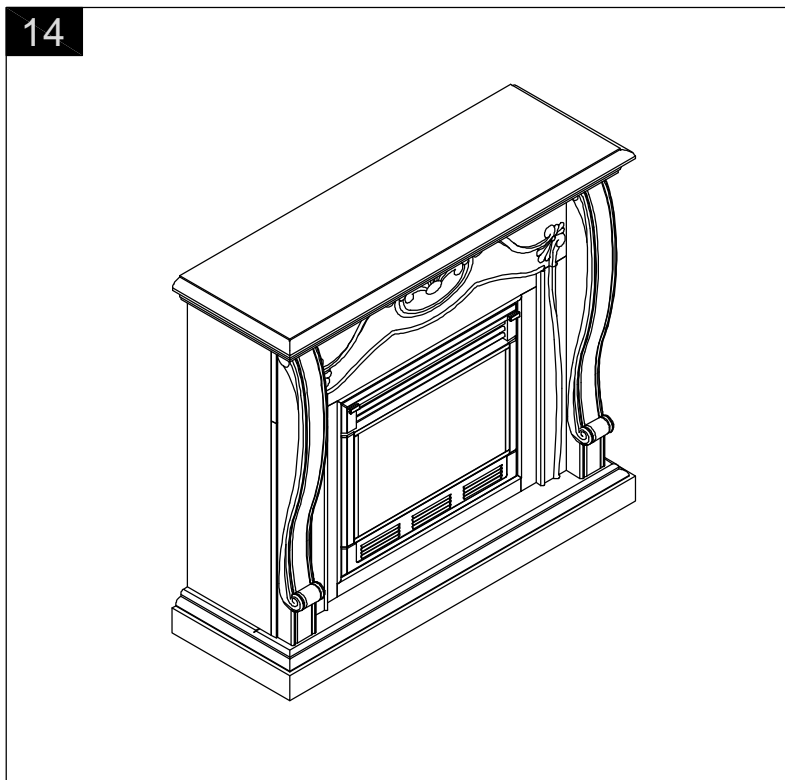
①  Flat Head Screw X 4

13



14. Now your new fireplace is ready to use.

14



Parts Replacement Form

Customer Information

Name _____

Address _____

City/State/Zip Code _____

Phone Number _____

Please indicate where you purchased this item: Store/Website/Catalog

Please indicate color/size/style number:

Style No	Parts Letter	Parts Description	Quantity Needed
_____	_____	_____	_____
_____	_____	_____	_____
_____	_____	_____	_____
_____	_____	_____	_____

Please immediately examine this product carefully. Any request for missing parts or damage replacement must be received within 90 days of your receipt of the product . Replacement, if available, will be honored within this time frame . Parts will not be available for items arriving fully assembled. We do not recommend modifying product(s) and we are not responsible for any damages due to product modification(s). If damages or missing parts are not reported within 90 days of your receipt, we are under no obligation to provide parts or replacement merchandise.

Please contact Southern Enterprises at 800-633-5096 or in Dallas 972-869-0111/ 9am - 4pm Mon-Fri Central time if you have product issues or email us at service@seidal.com. Please ask for customer service representative for issues involving damages or replacement parts. Please ask for technical assistance representative for any issues with product and assembly/construction.

Please contact the retailer that you purchased from for returns.



Customer Service 1-800-633-5096
service@seidal.com
Southern Enterprises, Inc.
600 Freeport Parkway, Suite 200
Coppell, Texas 75019