

Transform your house into a home

with a Lightweight
Masonry Fireplace



MASON-LITE

by MFI • Masonry Fireplace Industries, LLC

Modular Pre-Cast Fireplace Systems

Modular Pre-Cast Fireplace Systems

Because it is only *half the weight and half the cost of traditional masonry fireplaces*, Mason-Lite Lightweight Masonry Fireplace Systems help you realize your dream of having a fireplace in your master bedroom, upstairs retreat or even your outdoor patio, without major building infrastructure reinforcement. The restful flicker and comfortable glow of the fire will provide you with years of treasured memories.

The benefits are indisputable

- Lightweight construction with multiple firebox sizes available
- Indoor/outdoor, wood burning, natural and propane gas systems
- Approved for multi-story combustible wood floor installations
- Superior thermal efficiencies, with the highest resistance strength at 28 days
- Complies with UL 127 & UL 103 chimney component standards
- 10-year limited warranty



Easy Installation *Easy, no mess installation means lower costs and faster completion time.*



1. Installing base and first course



2. Starting the smoke chamber



3. Easy to build smoke dome



4. Finishing with the dome top



5. Finished Mason-Lite in under 2 hours

Our Products

Mason-Lite offers traditional wood burning fireplaces that can include a pre-installed ANSI Z21.60 approved gas log set. Also available is our B-vented series that includes a RH Peterson RealFyre gas log set with remote control. Our vent-free fireplace is designed for approved, indoor applications—where allowed—or for outdoor applications using a clean burning gas log set.



Made in the USA

Mason-Lite was started in 2005 by a group of individuals who together, have over 100 years of experience in the fireplace manufacturing business. Made in the U.S.A. means lower shipping & handling costs, more affordable pricing and reliable quality. With Mason-Lite you can quickly and easily add value and luxury to your home.

Accessories

Optional Mason-Lite brick panels are available in all standard sizes in Split Herringbone & Full Running Bond. The Masonry Chimney is available for indoor and outdoor installations in 14". The Mason-Lite Optional Arch is available in 49" size that can be adjusted down to 44" and 39" sizes.



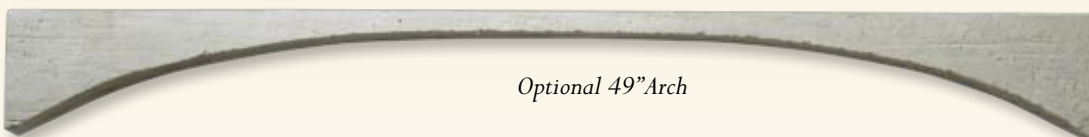
14" Masonry Chimney



Full Running Bond



Split Herringbone



Optional 49" Arch

Wood
Burning

Gas

B-Vent

Vented

Vent-Free

New
Construction

Indoor

Outdoor

Retrofit

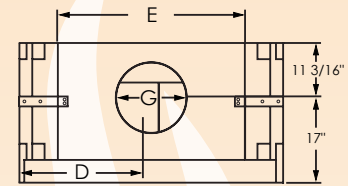
Existing

2nd Floor

Installation/Framing Instructions

Minimum Framing Dimensions:

	33"	39"	44"	49"	63"	ST43"
Height	57"	64"	64"	64"	74"	66"
Width	41"	47"	52"	57"	71"	57"
Depth	30"	30"	30"	30"	30"	28"

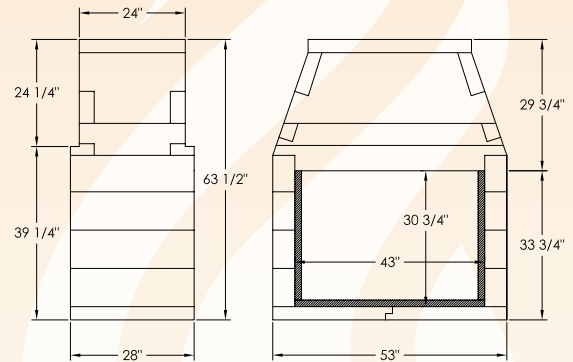


TOP VIEW

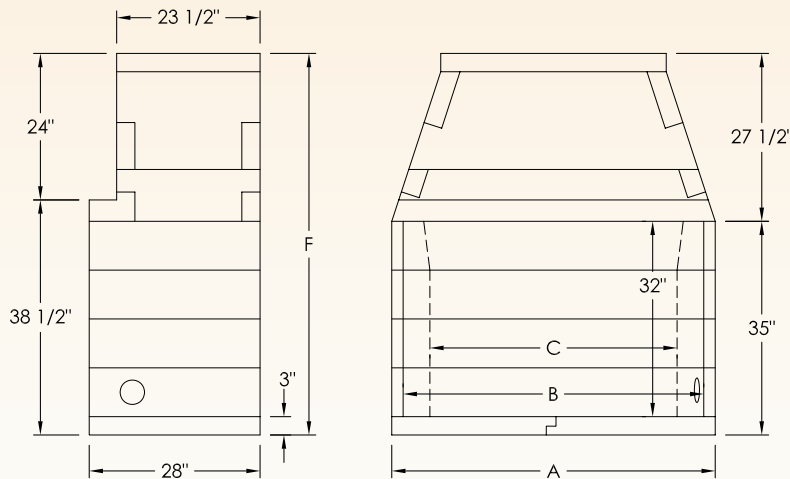
Specifications:

MODEL	A	B	C	D	E	F	G
MFP 33	37"	33"	23 1/4"	18 1/2"	21 3/4"	54"	12"
MFP 39	43"	39"	30 1/4"	21 1/2"	27 3/4"	62"	12"
MFP 44	48"	44"	35 1/4"	24"	32 3/4"	62"	12"
MFP 49	53"	49"	40 1/4"	26 1/2"	37 3/4"	62"	14"
MFP 63	67"	63"	51 1/2"	33 1/2"	46"	72"	16"
SEE THRU 53"	43"	43"	26 1/2"	37 3/4"	64"	16"	

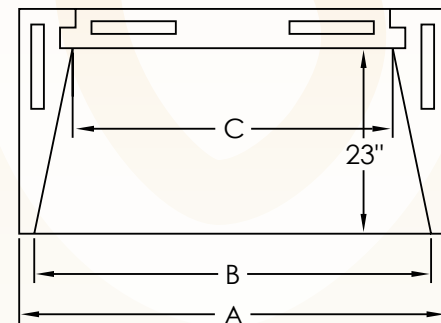
* Dimensions are nominal due to grout differences.
Please refer to instruction manual for framing clearance specifics. The instruction manual can be found at www.mason-lite.com/resources



SEE THRU



CONVENTIONAL



OPENING WIDTHS

For more information or to find a partner in your area, contact MFI Masonry Fireplace Industries directly at

MASON-LITE
by MFI • Masonry Fireplace Industries, LLC

315 W. Third Street, Santa Ana, CA 92701
Tel: 800.345.7078 Fax: 714.972.4599 Email: info@Mason-Lite.com

www.Mason-Lite.com

U.S. factory built & code compliant

