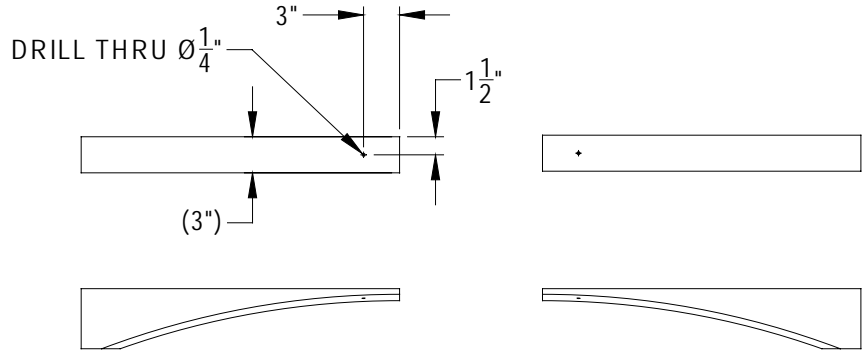
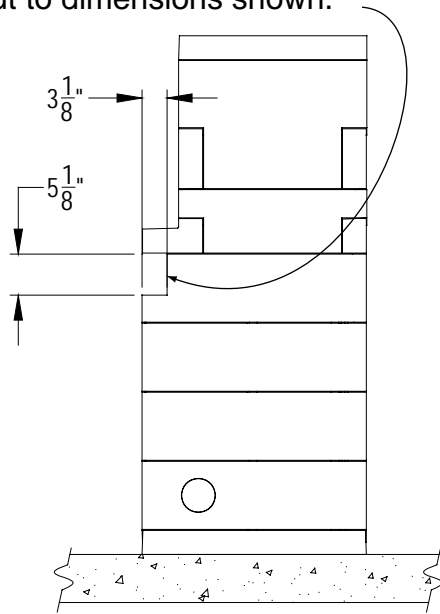


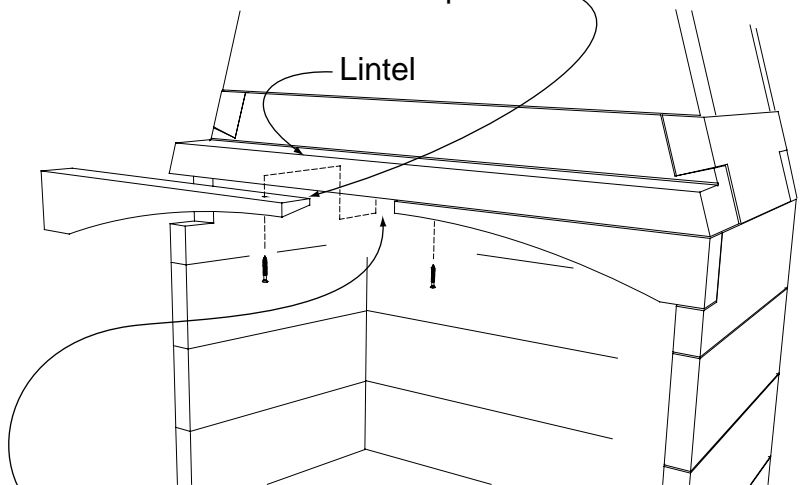
MASON-LITE

Notch out the top front of both Side Walls using a masonry blade. Cut to dimensions shown.

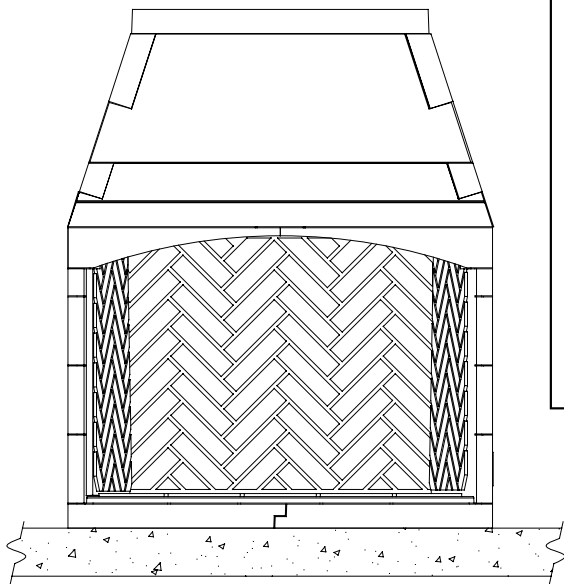


Arch is made for 49" unit. If used in smaller models, cut down to size needed.

Note smaller end of slope on arch is positioned towards the inside of the fireplace.



Mortar arches in place and drill $\text{Ø}1/8"$ pilot holes into lintel. Secure arches with $1/4"$ Tapcon screws.



TITLE: MFP-ARC INSTALLATION

DWG. NUMBER	RELEASE DATE	REV. DATE	APPROVED
SXXX	01/09/2011	N/A	BH