

Monessen Solstice Vent Free Gas Fireplace Insert  
EASY. BEAUTIFUL. AFFORDABLE.





# SOLSTICE



Above: Solstice shown with Black surround and contemporary Bronze fireglass  
 Cover: Solstice shown with Colonial Red firebrick, Kentucky Wildwood log set, and Black surround

The Solstice vent free gas insert quickly and easily turns an old, wasteful wood-burning fireplace into a beautiful, highly efficient heat source. Coming from the leader in vent free technology, you can expect the gorgeous Solstice to provide excellent heating efficiency without the high cost of extensive renovations or construction.

## Features

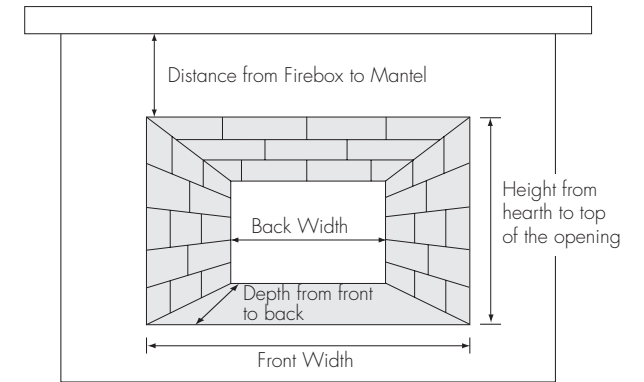
- No venting required makes installation fast, easy, and affordable
- Clean design with expansive views
- Select your style: traditional with logs, or contemporary with fireglass
- Customizable to blend with any décor
- Standard blower powers up your heat output
- Operable without power for warmth during outages
- Available in 33" model
- Up to 28,000 BTUs

## THREE EASY STEPS TO UPGRADE YOUR EXISTING WOOD-BURNING FIREPLACE

1. Measure your existing fireplace
2. Select a surround
3. Customize your insert

### STEP 1: Measure your existing fireplace

The height, width and depth of the existing fireplace opening is needed to ensure selection of an appropriately-sized insert.



### STEP 2: Choose your surround

Surrounds cover the gap between the fireplace insert and existing fireplace opening. Choose from two sizes and styles for a unique look.

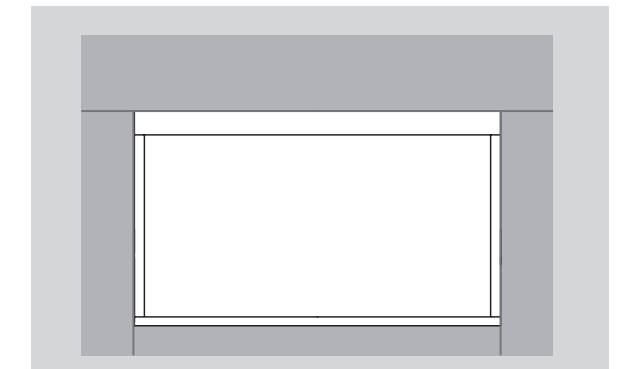
SURROUND	Small	Large
Black surround	43" x 32"	50" x 35"
Cast profile surround	44" x 32"	



Black surround



Cast profile surround



Small surround      Large surround

### STEP 3: Customize your insert with optional accessories

Make it your own. Select an interior liner, fireglass or log set to complete your look.

#### Interior liner options



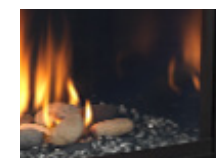
Cinnamon firebrick



Colonial Red firebrick



Black Magic glass panels



Black porcelain panels

#### Interior finishing options



Diamond fireglass



Onyx fireglass



Sapphire fireglass



Bronze fireglass

OR

#### Log set options



Kentucky Wildwood



Berkeley Oak



Highland Oak

#### Additional available options

- Volcanic rock
- Ceramic fiber cinders
- Remote controls
- IPI fan kit
- Thermostat bulb sensor

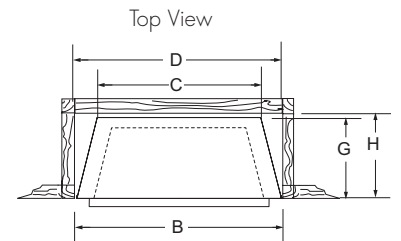
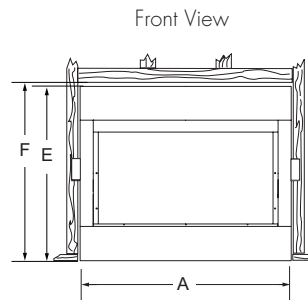


# SPECIFICATIONS



Solstice shown with Colonial Red firebrick, Kentucky Wildwood log set, and Black surround

SPECIFICATIONS		VFI33
FRONT WIDTH	ACTUAL / A	33-3/8"
	FRAMING / B	33-1/2"
BACK WIDTH	ACTUAL / C	22-5/8"
	FRAMING / D	33-1/2"
HEIGHT	ACTUAL / E	23-7/8"
	FRAMING / F	24-1/2"
DEPTH	ACTUAL / G	18-1/4"
	FRAMING / H	16"
VIEWING AREA		31" x 19" sq in
BTU/HR INPUT		28,000(NG)/27,000(LP)



LOVE AT FIRST LIGHT

Your Monessen Dealer:

FPO  
for FSC  
certification  
mark

To avoid personal injury or property damage, the product described by this brochure must be installed, operated and maintained in strict compliance with the instructions packaged with the product and all applicable building or fire codes. Contact local building or fire officials about restrictions and installation inspection requirements. All photographs and drawings on this brochure are for illustrative purposes only and are not intended for, nor should they be used as a substitute for the instructions packaged with the unit. Appearance and specifications of the product are subject to change without notice. ©2016 Hearth & Home Technologies.

[www.monessenhearth.com](http://www.monessenhearth.com)