

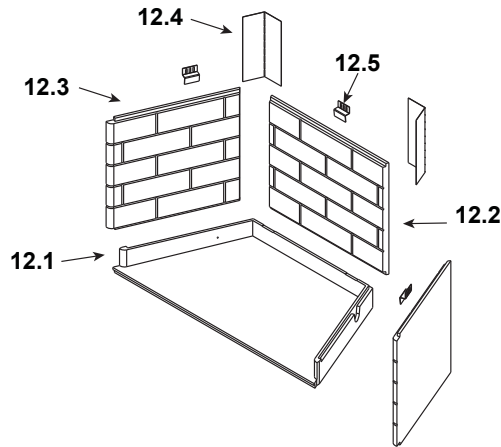
**IMPORTANT: THIS IS DATED INFORMATION.** Parts must be ordered from a dealer or distributor. **Hearth and Home Technologies does not sell directly to consumers.** Provide model number and serial number when requesting service parts from your dealer or distributor.



**Stocked at Depot**

ITEM	DESCRIPTION	COMMENTS	PART NUMBER	
	Hearth Kit w/Logs, 30" NG		4072-182	Y
<b>For valve and log service parts see the instructions included in the above kits.</b>				
	On/Off Valve		15697	Y
1	Top Standoff	Qty 4 req	4044-111	
2	Non-combustible Lip, 42"		4072-255	
3	Non-combustible Front		4072-175	
4	Hood		4072-210	
5	Upper Trim	Pre Install	4072-123	
		Post Install	4072-123L	
6	Left Side Trim	Pre Install	4072-125	
		Post Install	4072-125L	
7	Firescreen Rod	1 piece	4072-134	
8	Firescreen Assembly		4072-020	Y
9	Lower Trim	Pre Install	4072-122	
		Post Install	4072-122L	
10	Right Side Trim	Pre Install	4072-124	
		Post Install	4072-124L	
11	Nailing Flange	Qty 4 req	4044-161	
	Conversion Kit,LP		LPK-ODVILLAG	Y
	Installation Instructions and Owner's Manual		4072-170	

**#12 Traditional Refractory**



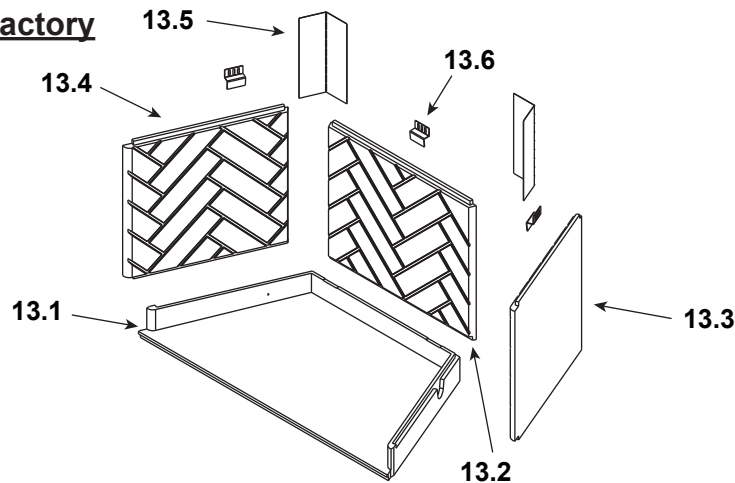
**IMPORTANT: THIS IS DATED INFORMATION.** Parts must be ordered from a dealer or distributor. **Hearth and Home Technologies does not sell directly to consumers.** Provide model number and serial number when requesting service parts from your dealer or distributor.



**Stocked at Depot**

ITEM	DESCRIPTION	COMMENTS	PART NUMBER
<b>Traditional Refractory</b>			
12.1	Hearth Refractory, 42.38" F x 17.88" D x 27.18 B		SRV4072-159
12.2	Back Refractory, 17.25" H x 26.93" W		4072-105
12.3	Side Refractory, Right, 17.25" H x 18.21" W	Qty 2 req	4072-103
12.4	Corner Shield	Qty 2 req	4072-145
12.5	Retainer	Qty 3 req	4072-250

**#13 Herringbone Refractory**



<b>Herringbone Refractory</b>			
13.1	Hearth Refractory, 42.38" F x 17.88" D x 27.18 B		SRV4072-159
13.2	Back Refractory, 17.25" H x 26.93" W		4072-107
13.3	Side Refractory, Right, 17.25" H x 18.21" W		4072-108
13.4	Side Refractory, Left, 17.25" H x 18.21" W		4072-109
13.5	Corner Shield	Qty 2 req	4072-145
13.6	Retainer	Qty 3 req	4072-250