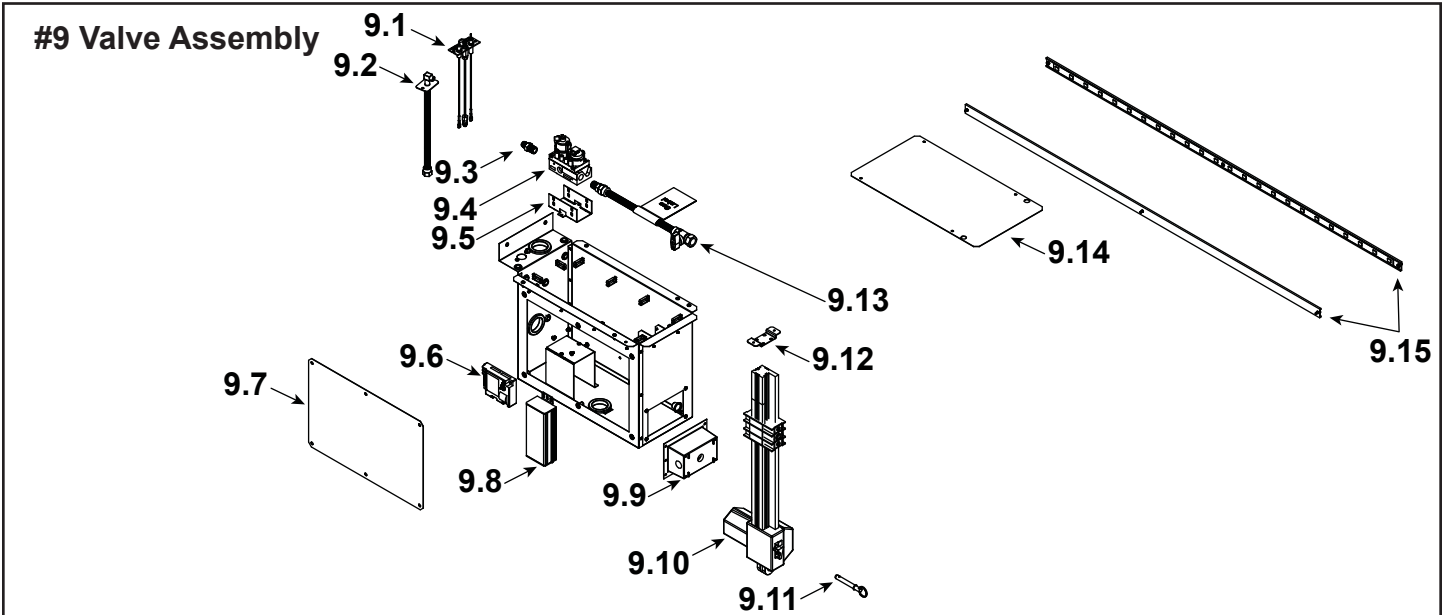


IMPORTANT: THIS IS DATED INFORMATION. Parts must be ordered from a dealer or distributor. **Hearth and Home Technologies does not sell directly to consumers.** Provide model number and serial number when requesting service parts from your dealer or distributor.



Stocked at Depot

ITEM	DESCRIPTION	COMMENTS	PART NUMBER	
1	Top Standoff	Qty 2 req	SRV4082-195	
2	Shield, Pilot		SRV4082-174	
3	Hearth Pan Assembly		SRV4082-019	
4	Lower Face Assembly	Qty 2 req	SRV4082-050	
5	Lower Trim	Qty 2 req	SRV4082-236	
6	Screen Front	Qty 2 req	SRV4082-240	
7	Screen	Qty 2 req	SRV4082-241	Y
8	Support Frame Assembly	Qty 2 req	SRV4082-040	
9	Valve Assembly		<b>See Following Pages</b>	
10	Burner Assembly		<b>See Following Pages</b>	
11	Glass Panel	Qty 2 req	SRV4082-300	Y
12	Nailing Flange	Qty 8 req	31190	
13	Cover Plate		SRV4082-208	
14	Side Standoff	Qty 2 req	SRV4082-132	
	Non-Combustion Assembly, Upper	Qty 2 req	SRV4082-009	
	Non-Combustion Assembly, Lower	Qty 2 req	SRV4082-042	



IMPORTANT: THIS IS DATED INFORMATION. Parts must be ordered from a dealer or distributor. **Hearth and Home Technologies does not sell directly to consumers.** Provide model number and serial number when requesting service parts from your dealer or distributor.

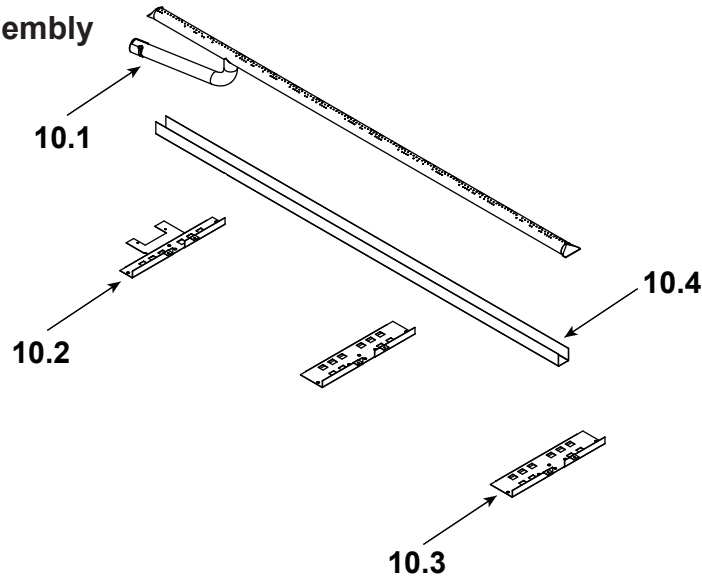


Stocked at Depot

ITEM	DESCRIPTION	COMMENTS	PART NUMBER	
9.1	Pilot Assembly, NG		2090-012	Y
	Pilot Assembly, LP		2090-013	Y
9.2	Bulkhead, Flexible		4021-428	Y
9.3	Male Connector		303-315	
9.4	Valve, Fixed NG		593-500	Y
	Valve, Fixed LP		593-501	Y
9.5	Valve Bracket Upper		SRV4082-210	
9.6	Control Module		593-592	Y
9.7	Front Panel		SRV4082-207	
9.8	5A Power Supply		SRV4082-315	Y
9.9	Junction Box Assembly		SRV4082-023	Y
9.10	Linear Actuator		SRV4082-320	Y
9.11	Quick Release Pin		SRV4082-336	
9.12	Actuator Bracket		SRV4082-177	
9.13	18" Flex Ball Assembly		531-320A	Y
9.14	Valve Box Top		SRV4082-206	
9.15	LED Light Bar	Qty 2 req	SRV4082-346	
	3V Transformer		593-593A	Y
	Wire Assembly (For IPI)		593-590A	Y
	LED Wire Assembly		2155-752	Y
	Wire Harness (Switch Panel)		SRV4082-365	Y
	Orifice, .125C, NG		4021-391	Y
	Orifice, #48, LP		582-848	Y

Additional service parts on following page.

#10 Burner Tube Assembly



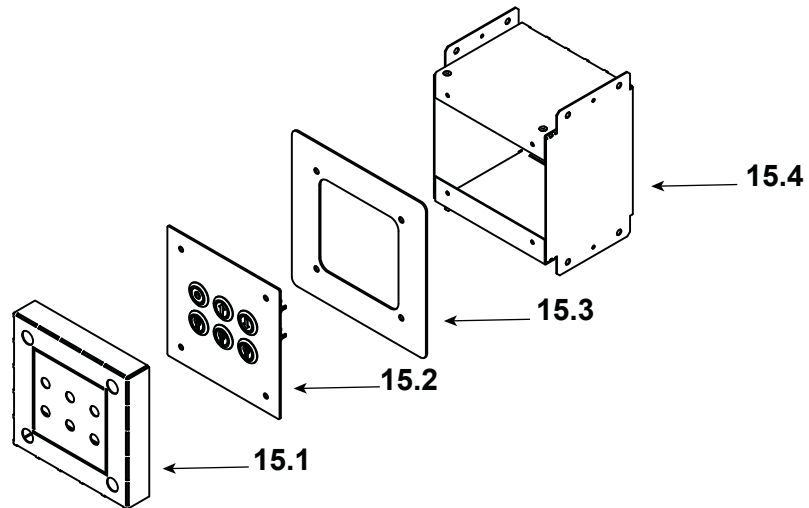
IMPORTANT: THIS IS DATED INFORMATION. Parts must be ordered from a dealer or distributor. **Hearth and Home Technologies does not sell directly to consumers.** Provide model number and serial number when requesting service parts from your dealer or distributor.



Stocked at Depot

ITEM	DESCRIPTION	COMMENTS	PART NUMBER	
10.1	Burner Tube		SRV4082-322	Y
10.2	Pilot / Burner Bracket		SRV4082-169	
10.3	Burner Bracket	Qty 2 req	SRV4082-170	
10.4	Burner Shield		SRV4082-211	

#15 Switch Box Assembly



15	Switch Box Assembly		SRV4082-046	
15.1	Rock Template		SRV4082-385	
15.2	Switch Panel Assembly		SRV4082-383	
15.3	Trim Ring		SRV4082-378	
15.4	Switch Box		SRV4082-043	

IMPORTANT: THIS IS DATED INFORMATION. Parts must be ordered from a dealer or distributor. **Hearth and Home Technologies does not sell directly to consumers.** Provide model number and serial number when requesting service parts from your dealer or distributor.



**Stocked at Depot**

ITEM	DESCRIPTION	COMMENTS	PART NUMBER	
<b>Media Options</b>				
	Media Kit, Clear		MEDIA-CLEAR-48	
	Crystal Rock	5 lb. Bag	2188-851	
	Media Kit, Red		MEDIA-RED-48	
	Red Rock	5 lb. Bag	2188-854	
	Media Kit, Amber		MEDIA-AMBER-48	
	Amber Rock	5 lb. Bag	2188-853	
	Media Kit, Cobalt		MEDIA-COBALT-48	
	Cobalt Rock	5 lb. Bag	2188-852	
	Media Kit, Ebony		MEDIA-EBONY-48	
	Black Rock	5 lb. Bag	2188-850	
<b>Conversion Kits</b>				
	Conversion Kit		LPK-ODPALG-48	Y