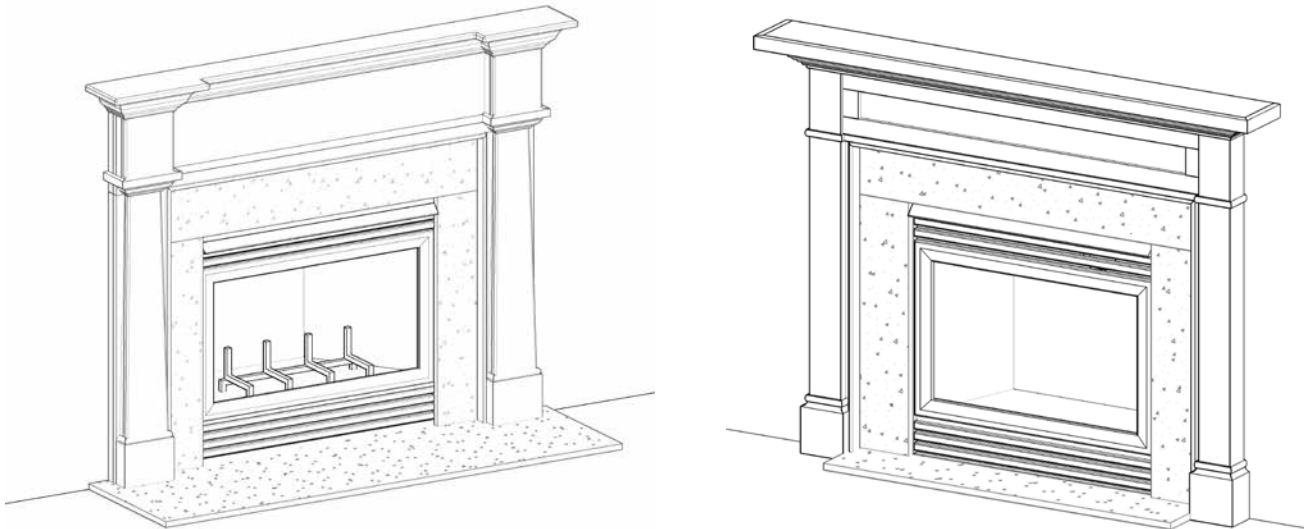




PLEASE READ

These instructions apply only to the flush mantel and facing material that will surround the firebox.

PLEASE SEE THE FIREPLACE MANUFACTURER'S INSTALLATION INSTRUCTIONS TO ENSURE THAT ALL CLEARANCE AND INSTALLATION REQUIREMENTS ARE BEING MET.



These instructions cover any style mantels with or without Techmount that assemble and install in the same way. The style of the mantels featured in the assembly panels may not match the style of the mantel you purchased. All critical steps in assembly are identical.

NOTICE: For field finishing the following two products have been approved for use on this product:

1. Lacquer - Sherwin Williams "Wood Classics A68F90".
2. Paint - Sherwin Williams "Duration Home A98W151 Interior Latex Paint".

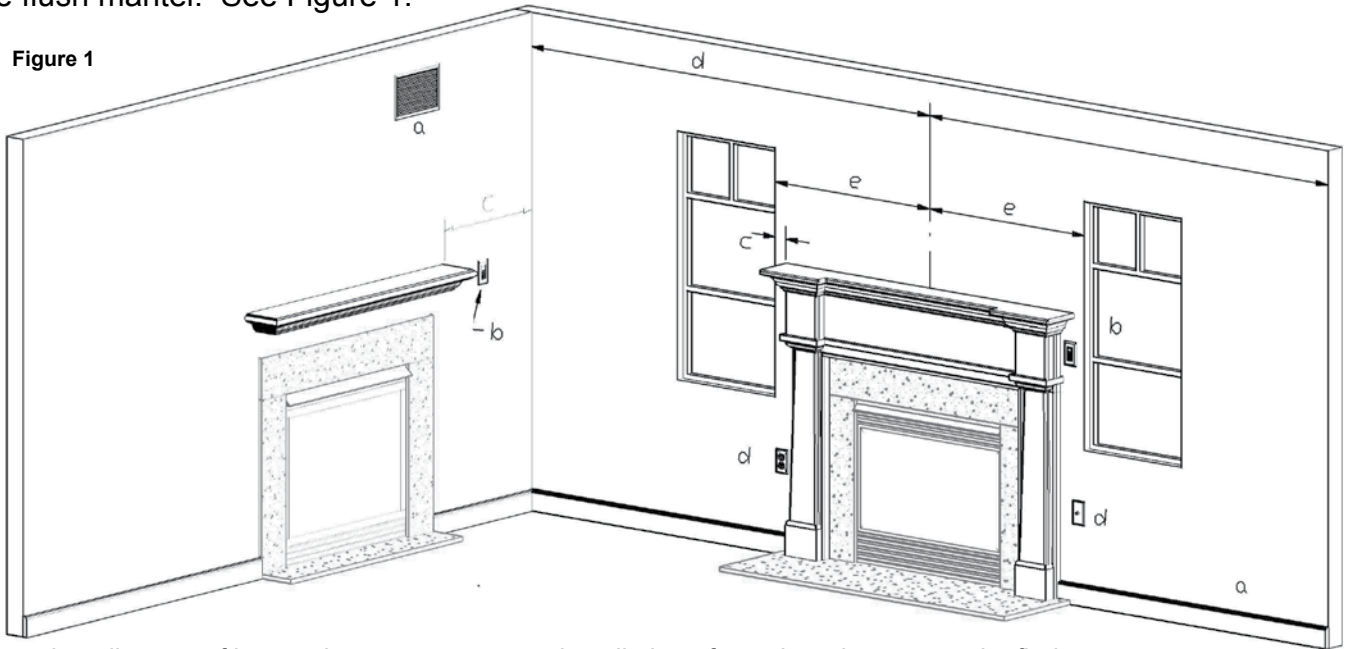
All other products may result in discoloration or undesired results.

WARNING!

- ***Improper installation, adjustment, can cause injury or property damage. For assistance or additional information, consult a qualified installer, service agency, or the gas supplier.***
- ***Comply with all minimum clearances to combustibles as specified in firebox manual. Failure to comply may cause house fire.***

NOTICE: Before you start, the walls and floor in the area of the installation should be clean, plumb and level. Any major deviation should be remedied before installing the fireplace, marble or the flush mantel. See Figure 1.

Figure 1



Above is a diagram of issues that may prevent an installation of wood products around a firebox:

- a. Is base molding already installed?
- b. Where are the electrical outlets or firebox switch?
- c. Is there enough distance between windows and edge of mantel?
- d. Is the fireplace centered between walls?
- e. Return air vent location?
- f. Is the fireplace centered between windows?
- g. Where are the electrical & cable outlets positioned?
- h. Is there hardwood or carpet going in?

MANTEL PARTS: See Figure 2 & 3

- 1 Top assembly (a)
- 1 Left leg assembly (b)
- 1 Right leg assembly (c)
- 3 Left, right, top scribe molding (d)
- 4 or 8 Cams (installed) (e)
- 2 or 4 Double head pins (installed) (f)
- 4 Wooden dowels (installed) (g)
- 2 3.0" Drywall screws (h)
- 2 3 "Finishing screws (not shown)
- 9 4D Finishing nails (not shown)
- 1 Ledger board (Veneer models only, not shown)

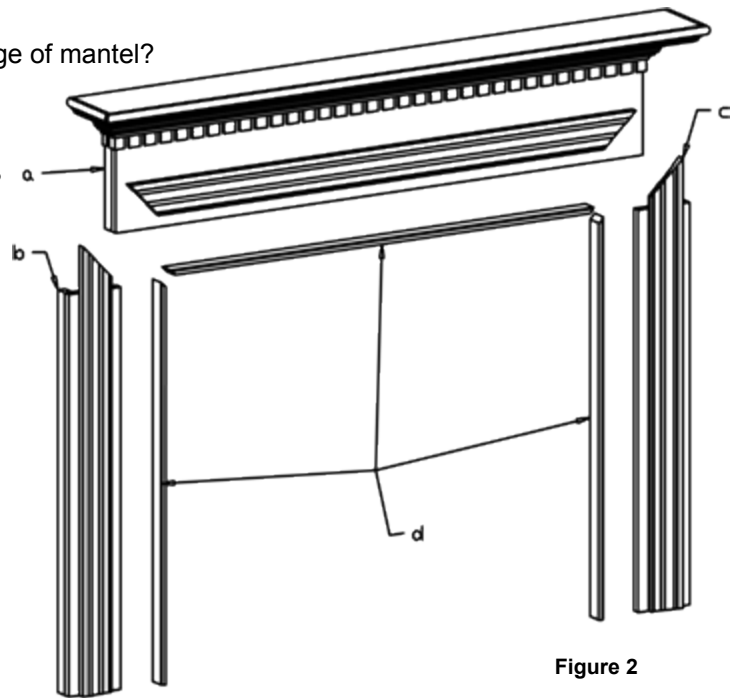


Figure 2

Tools and supplies needed:

- #2 Phillips screwdriver
- Carpenter's level
- Tape measure, pencil
- Construction adhesive
- Shim material
- Portable drill
- 1/16" and 3/32" drill bits
- Flat head screwdriver
- Hammer
- High temp. silicon adhesive
- Stud finder
- Nail set



e



f



g



h

Figure 3

Assembly Steps:

1. Position the top assembly (a) of mantel upside down on a flat, clean, non-abrasive surface. If scribe molding (d) was shipped attached to the leg and breast board, remove it before beginning assembly. Pry gently from the rear with a flat screwdriver. See Figure 4.

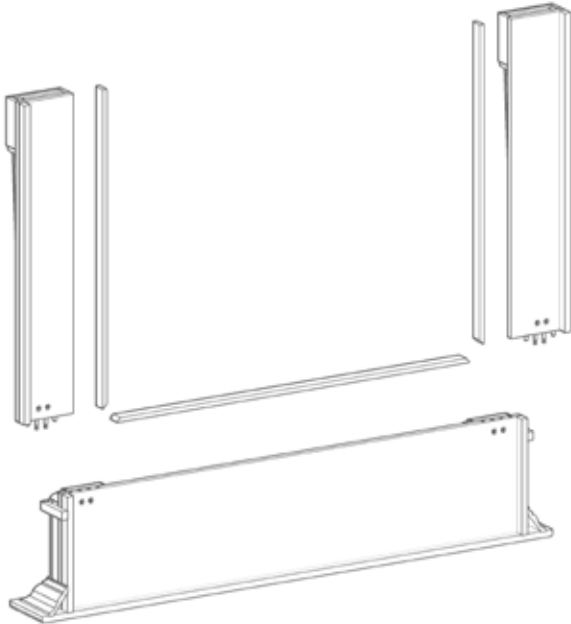


Figure 4

2. Attach one leg assembly (B) to breastboard assembly by inserting dowels and cam pin into matching holes on ends of breastboard. Before inserting, make sure that the arrow on the cam in breastboard points toward the edge of board as shown in inset. (Dowels and cam pin are shipped pre-inserted in the end of the leg assembly.) Notice as you work that returns on legs go to the outside and cam goes to the rear. Your mantel could have 2 or 4 cams on each legs. See Figure 5.

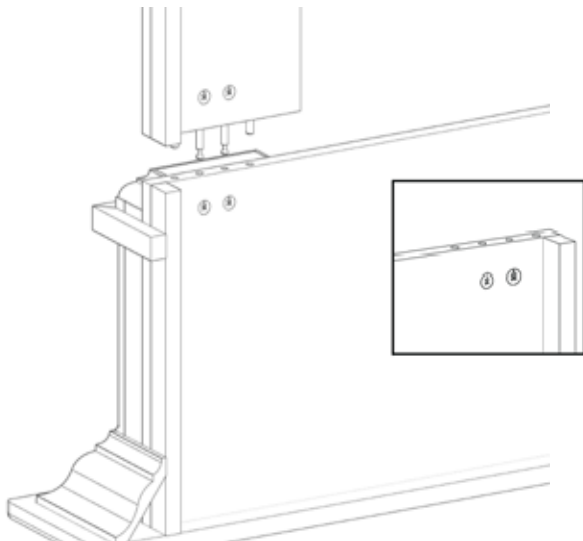


Figure 5

3. Push down on the leg until dowels are fully inserted into the breastboard and there is no gap between leg and breastboard. Using a phillips screwdriver, turn the cam in breastboard clockwise until snug. Do not rely on the cam to pull the two together. Do not over-tighten, as too much torque can break the cam. Repeat the last two steps for the other leg. Your mantel is now assembled, except for the scribe, which will be re-attached after the mantel is permanently fixed to the wall.

Make sure the fireplace is installed according to local codes and that a non-combustible surround (and hearth if wood-burning) has been installed on the wall around the fireplace.

Rotate the mantel down on its back, holding on to BOTH legs, then lift the breastboard side until it is standing on its legs. Place it over the fireplace and center it. See Figure 6.

If your mantel does not have Techmount, go to step 7.

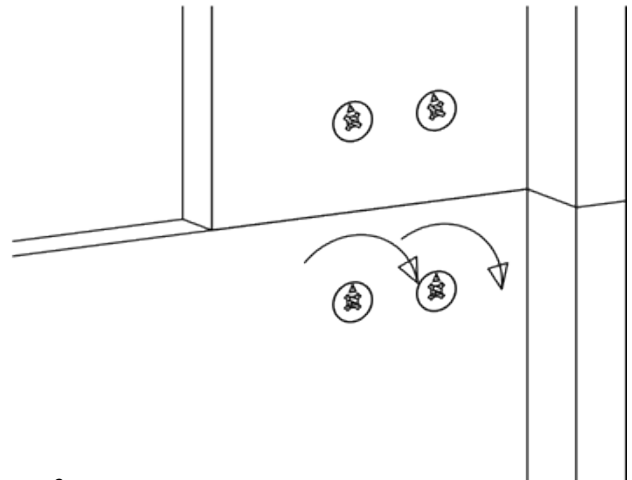


Figure 6

4. Place the mantel against the wall and measure from the floor to the point of the plunger in one of the TechMount brackets attached to the back of the mantel. Take the measurement when plunger is not compressed. See Figure 7.

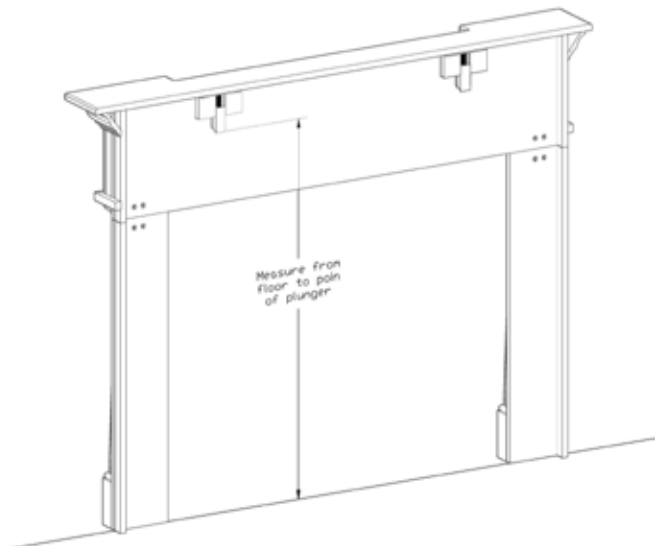


Figure 7

5. Locate the studs in the wall above your fireplace using a stud finder (available at your local hardware store) or by tapping horizontally on the wall to identify stud location. Studs are usually 16" center to center. Add 1 1/4" to your measurement above. This is the height at which to attach the ledger strip to the wall. The measurement is to the pointed side of strip. You should be able to mount it by eye if you don't have a level, since the springs give you some leeway. The pointed side of ledger should be AWAY from the wall and the strip should be roughly centered on the fireplace. Attach with the (2) 3" drywall screws provided, one in each stud. See Figure 8.

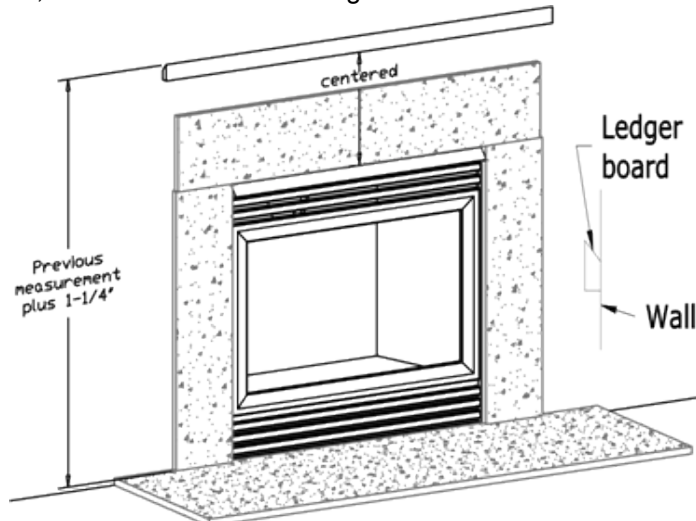


Figure 8

6. Now position the mantel in front of fireplace and lift it until the Techmount brackets are higher than the ledger strip, move it back until it contacts the wall, and lower it until the plungers contact the ledger. Make sure mantel is centered on your fireplace. Push down firmly on top of the shelf until legs of mantel contact the floor. The main part of the installation is now done. You can remove and replace it at will. For a more permanent installation, use high temperature silicone between the leg returns and the wall, or if it is to be painted, caulk it to the wall all the way around. See Figure 9.

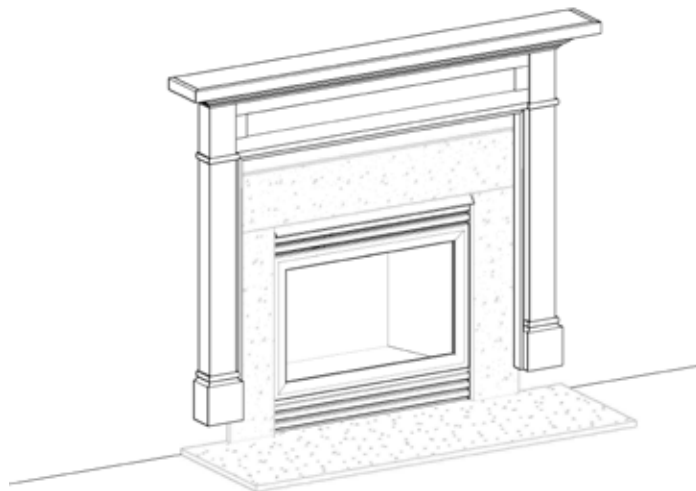


Figure 9

7. Hold the mantel tightly against the wall while you view it from all sides to make sure everything is fitting properly and that visible portions of marble legs are equal. The inner edge of the mantel should lap the outer edge of the surround material around the firebox. Remember that the scribe will close the gap between mantel and stone and cover another 1/2" of the stone once it is installed. Also check the outer edge of mantel where it fits against the wall to see that there are no excessively large gaps. Small gaps will be filled later with caulk. Any large gaps (more than 3/16") may require that you trim the mantel return to conform to the irregularities in the wall, or that you consider straightening the wall before you install the mantel.

The method used for fastening your mantel to the wall may vary depending on your situation. Mantels can be nailed, glued, screwed (preferably with finish-head screws), attached with brackets of various types.

The most common method is to nail through the top of the mantel into studs in the wall. That method will be explained here. See Figure 10.

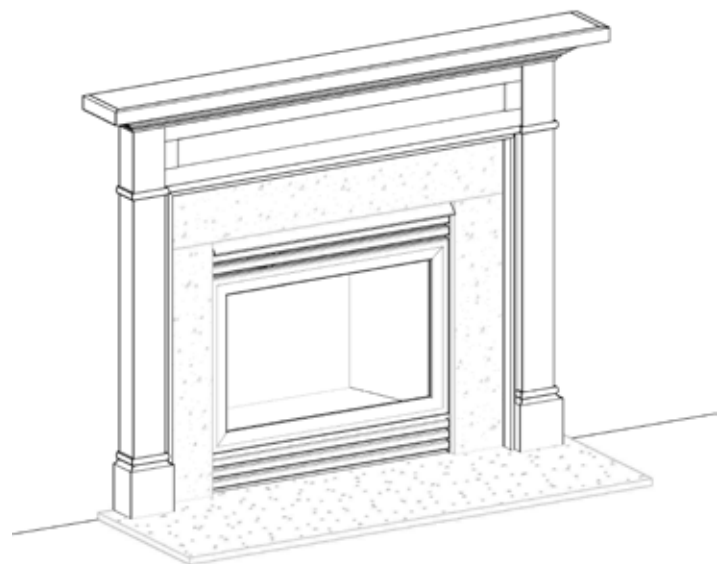


Figure 10

8. Using a stud finder, locate at least two studs in the wall above the fireplace. Holding the mantel tightly against the wall, drill 3/32" pilot holes at a 45 degree angle down through the top of the shelf, as shown in Figure 11. Using the provided screws, secure the mantel to the wall. Fill the resulting hole with an appropriate filler. If the mantel requires securing at the legs, repeat this process at a location where there is a stud or other backing in the wall.

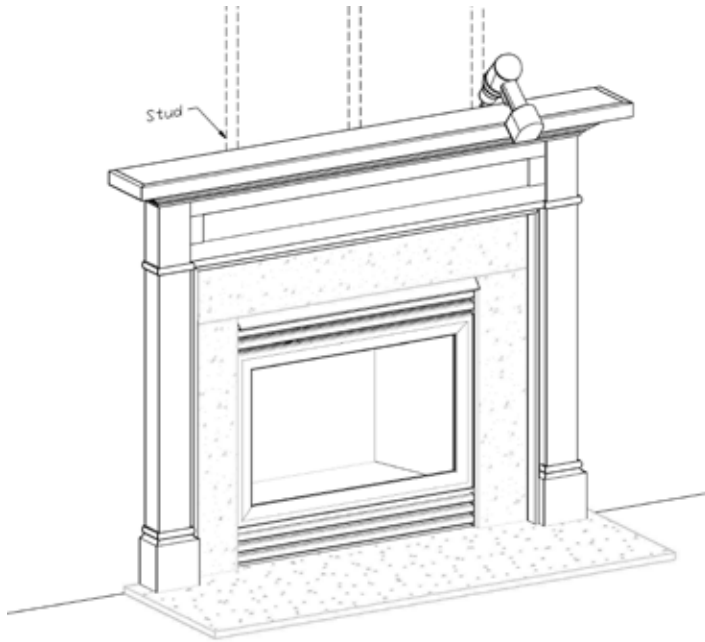


Figure 11

9. Attach the scribe, making sure it is pushed back against noncombustible facing. Nail with 4D finishing nails (provided), breast board first. Be careful not to hit the stone as you nail the scribe in place. Protect the stone with a piece of corrugated cardboard held or taped between stone and hammer as you nail. Use a nail set to set the nail head below surface of scribe, and fill the resulting hole with an appropriate filler. See Figure 12.



Figure 12

10. If using a hearth that fits between the leg opening, cut the scribe to allow for stone height between the legs. Place the scribe molding as shown above, positioning it so that it just contacts the noncombustible surround. Be careful not to hit the facing material when nailing the scribe in place. No cutting is needed if hearth exceeds mantel legs. See Figure 13.

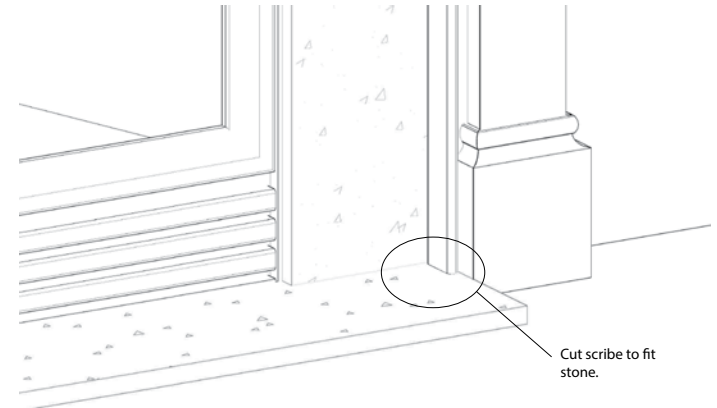


Figure 13

YOUR INSTALLATION IS COMPLETE.



Fireside Furnishings, a brand of Hearth & Home Technologies, Inc.
www.fireplaces.com

Please contact your Fireside Furnishings dealer with any questions or concerns.

-Notes-

NOTICE



DO NOT DISCARD THIS MANUAL

- Important operating and maintenance instructions included.
- Read, understand and follow these instructions for safe installation and operation.
- Leave this manual with party responsible for use and operation.



