



KALEA BAY

SERIES OF OUTDOOR LINEAR FIREPLACES

FOR OUTDOOR USE ONLY

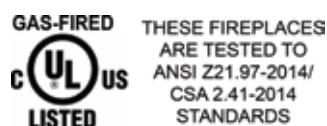


MODELS

- OFF-36LTFS-N 36" w x 16" h x 16" d opening dimensions. Natural Gas (31,000 Btu on High, 18,500 Btu on Low)
- OFF-36LTFS-P 36" w x 16" h x 16" d opening dimensions. Liquid Propane (30,000 Btu on High, 19,500 Btu on Low)
- OFF-48LTFS-N 48" w x 16" h x 16" d opening dimensions. Natural Gas (43,500 Btu on High, 24,500 Btu on Low)
- OFF-48LTFS-P 48" w x 16" h x 16" d opening dimensions. Liquid Propane (42,500 Btu on High, 29,000 Btu on Low)
- OFF-60LTFS-N 60" w x 16" h x 16" d opening dimensions. Natural Gas (50,000 Btu on High, 36,000 Btu on Low)
- OFF-60LTFS-P 60" w x 16" h x 16" d opening dimensions. Liquid Propane (50,000 Btu on High, 36,000 Btu on Low)
- OFF-72LTFS-N 72" w x 16" h x 16" d opening dimensions. Natural Gas (65,000 Btu on High, 42,000 Btu on Low)
- OFF-72LTFS-P 72" w x 16" h x 16" d opening dimensions. Liquid Propane (60,000 Btu on High, 45,000 Btu on Low)

OPTIONAL ACCESSORIES

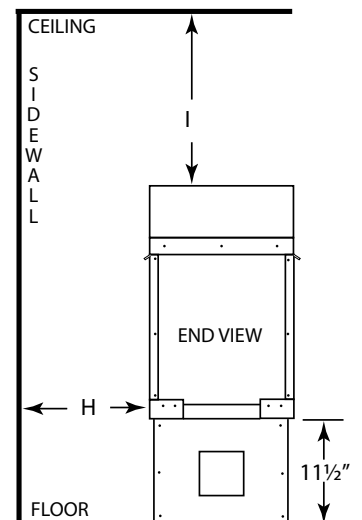
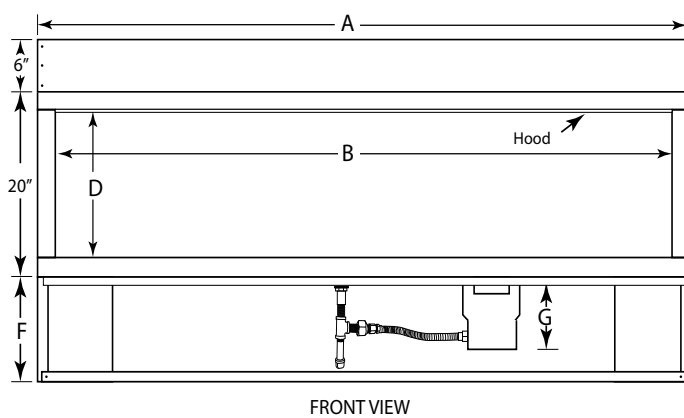
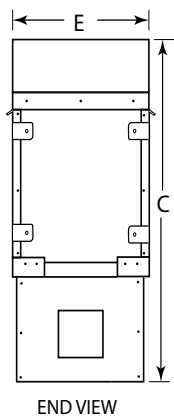
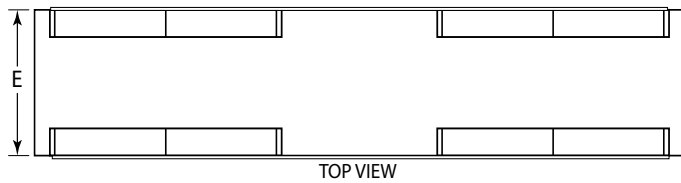
- 326-930 Driftwood 6 piece twig set
- TM-R-AF1TX Wireless wall mount timer (30/60/120min)
- 1322WT Wireless wall mount switch (On/Off/High/Low)
- 1001D-AF1TX Wireless wall mount switch (On/Off)
- WS Wired wall mount switch (On/Off)
- AF-4000ADP24(80) 110 volts AC adapter, converts to 7.5 DC volts for TFS systems
- AF-4000HAT Home/Pool automation transmitter system (works with most manufacturer's systems)





SINGLE SIDED FIREPLACE DIMENSIONS & CLEARANCES

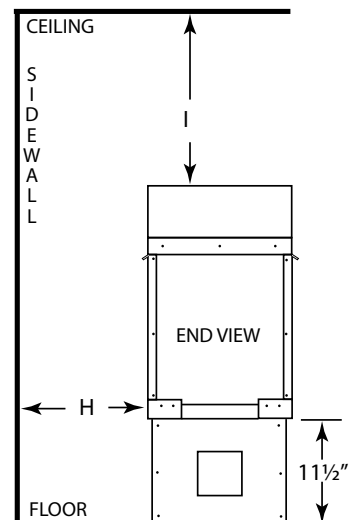
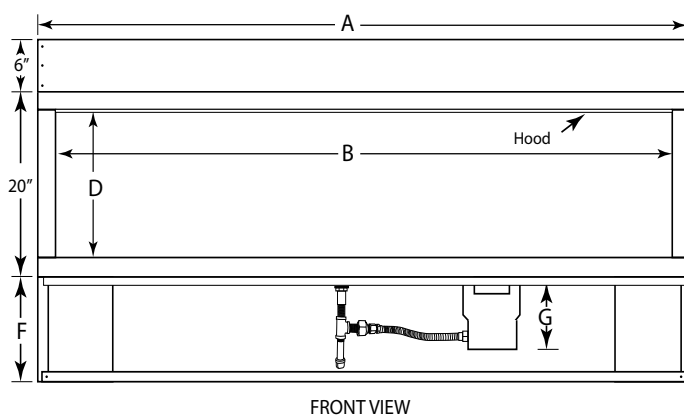
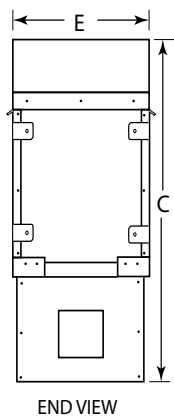
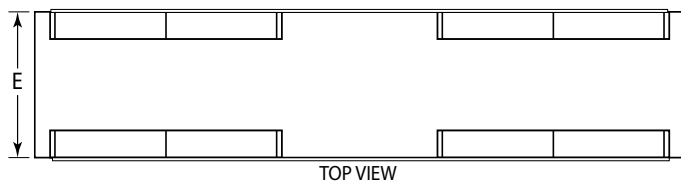
MODEL	OVERALL LENGTH A	INSIDE OPENING B	OVERALL HEIGHT C	OPENING HEIGHT D	OVERALL DEPTH E	LEG HEIGHT F	VALVE BOX DEPTH G	CLEARANCE TO COMBUSTIBLE SIDE WALL H	CLEARANCE TO COMBUSTIBLE CEILING I
OFP-36LTFS-N or P	40"	36"	37 1/2"	16"	16"	11 1/2"	8 3/4"	6"	42 1/2"
OFP-48LTFS-N or P	52"	48"	37 1/2"	16"	16"	11 1/2"	8 3/4"	6"	42 1/2"
OFP-60LTFS-N or P	64"	60"	37 1/2"	16"	16"	11 1/2"	8 3/4"	6"	42 1/2"
OFP-72LTFS-N or P	76"	72"	37 1/2"	16"	16"	11 1/2"	8 3/4"	6"	42 1/2"





SEE-THROUGH FIREPLACE DIMENSIONS & CLEARANCES

MODEL	OVERALL LENGTH A	INSIDE OPENING B	OVERALL HEIGHT C	OPENING HEIGHT D	OVERALL DEPTH E	LEG HEIGHT F	VALVE BOX DEPTH G	CLEARANCE TO COMBUSTIBLE SIDE WALL H	CLEARANCE TO COMBUSTIBLE CEILING I
OFP-36LTFS-N or P	40"	36"	37 1/2"	16"	16"	11 1/2"	8 3/4"	36"	42 1/2"
OFP-48LTFS-N or P	52"	48"	37 1/2"	16"	16"	11 1/2"	8 3/4"	36"	42 1/2"
OFP-60LTFS-N or P	64"	60"	37 1/2"	16"	16"	11 1/2"	8 3/4"	36"	42 1/2"
OFP-72LTFS-N or P	76"	72"	37 1/2"	16"	16"	11 1/2"	8 3/4"	36"	42 1/2"

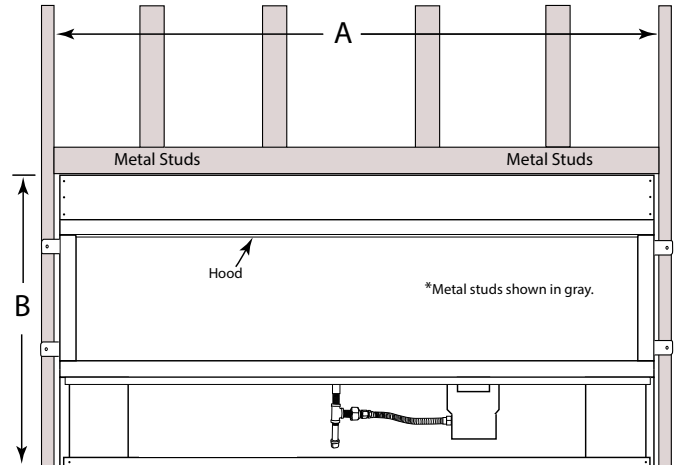
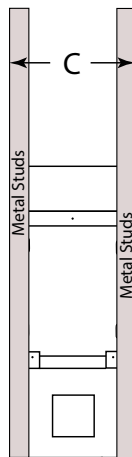


KALEA BAY FRAMING DIMENSIONS

FOR BOTH SINGLE SIDED & SEE-THROUGH

METAL STUDS

MODEL	WIDTH A	HEIGHT B	DEPTH C
OFP-L36TFS-N or P	40 1/2"	37 3/4"	16"
OFP-L48TFS-N or P	52 1/2"	37 3/4"	16"
OFP-L60TFS-N or P	64 1/2"	37 3/4"	16"
OFP-L72TFS-N or P	76 1/2"	37 3/4"	16"



NOTE: The Kalea Bay fireplace is not a "load bearing" fireplace. All finishing materials must be supported by the surrounding structure and not rely on the fireplace itself.

KALEA BAY BTU INFORMATION

FOR BOTH SINGLE SIDED & SEE-THROUGH

Model	Factory Orifice	NG Btu's High	NG Btu's Low	Low Rate Set Screw	Model	Factory Orifice	NG Btu's High	NG Btu's Low	Low Rate Set Screw
OFP-36LTFS-N	#42	31,000	18,500	#00	OFP-36LTFS-P	#52	30,000	19,500	#55
OFP-48LTFS-N	#35	43,500	24,500	#00	OFP-48LTFS-P	#48	42,500	29,000	#47
OFP-60LTFS-N	#31	50,000	36,000	#00	OFP-60LTFS-P	#45	50,000	36,000	#37
OFP-72LTFS-N	#29	65,000	42,000	#00	OFP-72LTFS-P	#42	60,000	45,000	#00

Pressure	Gas Type	
	NG	NG
Minimum Inlet	5.0 "WC	10.5 "WC
Maximum Outlet	10.5 "WC	13.0 "WC
Normal Inlet	7.0 "WC	11.0 "WC

CONVERTING THE KALEA BAY

FROM SINGLE-SIDED TO SEE-THROUGH

When converting to the see-through fireplace the windshield clips will need to be installed. Two windshield clips are already installed for a single-sided fireplace, the other two clips will need to be installed for a see-through model. The clips will be packaged with the glass windshields. The retaining screws for the clips are already installed in the fireplace. Simply remove the screws and re-attach with the windshield clips in place.

The see-through fireplace requires both windshields to be installed for proper operation.

The bottom support fin has pre-punched holes on the inside edge to secure fin into place before attaching cement board and the additional hood will need to be installed.