

# DECORATIVE FIREPLACE FRAME INSTALLATION INSTRUCTIONS

FOR USE ON MODELS: DVCT(30,35,36,40,50) SERIES ONLY

REQUIRES DECORATIVE FIREPLACE FRAME DFF(30,35,40,50)(BL,BZT,FPD)

INSTRUCTIONS MUST BE LEFT WITH THE OWNER FOR FUTURE REFERENCE AFTER INSTALLATION.

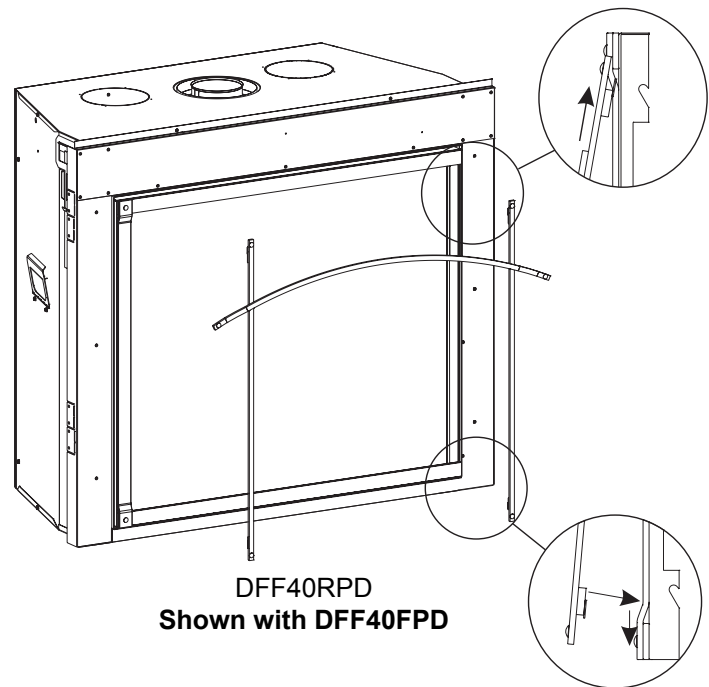
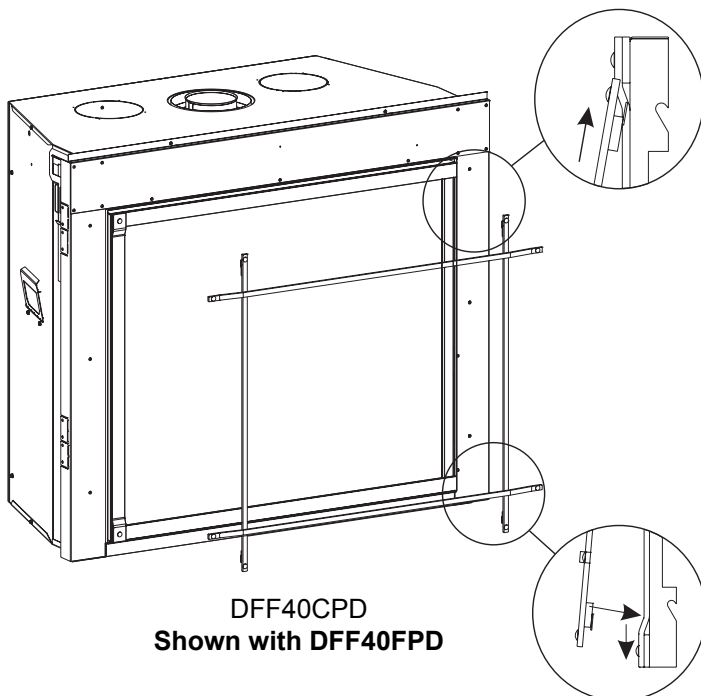
DECORATIVE FRAME MODELS				
DVCT30	DVCT35	DVCT36	DVCT40	DVCT50
DFF30RBL	DFF35RBL	DFF36RBL	DFF40RBL	DFF50RBL
DFF30RBZT	DFF35RBZT	DFF36RBZT	DFF40RBZT	DFF50RBZT
DFF30CBL	DFF35CBL	DFF36CBL	DFF40CBL	DFF50CBL
DFF30FBZT	DFF35FBZT	DFF36FBZT	DFF36FBZT	DFF50FBZT
DFF30CPD	DFF35CPD	DFF36CPD	DFF40CPD	DFF50CPD
DFF30RPD	DFF35RPD	DFF36RPD	DFF40RPD	DFF50RPD

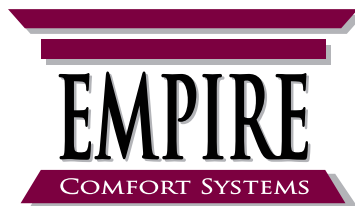
## CLEANING

With the unit turned off and cool to the touch, use a 50/50 solution of vinegar and water and a clean soft cloth to remove dirt and fingerprints. Clean frame before and after start-up and again anytime oil or fingerprints are present. When heated, oil from fingerprints or left over from manufacturing can permanently discolor the plating.

## INSTALLATION

Slide top part of trim into frame and swing bottom part against the frame and down. Center left to right.





**Empire Comfort Systems Inc.  
Belleville, IL**

If you have a general question  
about our products, please e-mail  
us at [info@empirecomfort.com](mailto:info@empirecomfort.com).

If you have a service or repair  
question, please contact your dealer.

SINCE 1932

**[www.empirecomfort.com](http://www.empirecomfort.com)**