

# EDV35 / EDV40/ EDV45

## Appliance Specifications

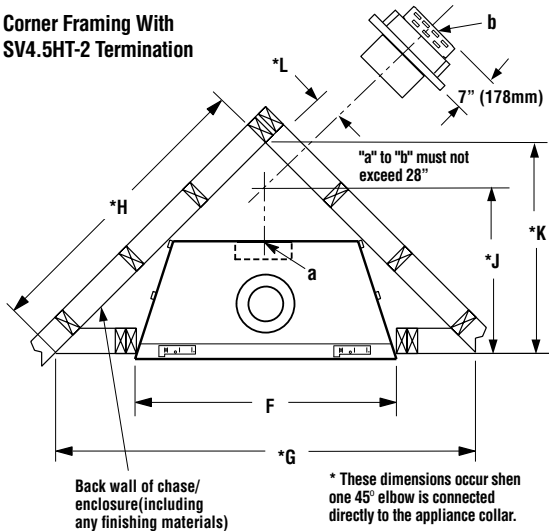
## DIRECT VENT FIREPLACES

## ELITE® SERIES

Model		Framing											
		A	B	C (rear vent)	C (top vent)	D	E	F	G	H	J	K	L
EDV35	in.	35-1/4	40-1/4	20-7/8	23-5/8	27-1/2	43-5/8	35-1/8	65-1/2	46-5/16	25-11/16	32-3/4	5
	mm	896	1022	530	600	699	1108	892	1664	1176	652	832	127
EDV40	in.	40-1/4	40-1/4	20-7/8	23-5/8	27-1/2	43-5/8	40-1/8	67-3/4	47-7/8	25-11/16	33-7/8	5-3/4
	mm	1022	1022	530	600	699	1108	1019	1721	1216	652	860	146
EDV45	in.	45-1/4	40-1/4	20-7/8	23-5/8	27-1/2	43-5/8	45-1/8	72-3/4	51-7/16	25-1/16	36-3/8	7-1/2
	mm	1149	1022	530	600	699	1108	1146	1848	1307	652	924	191

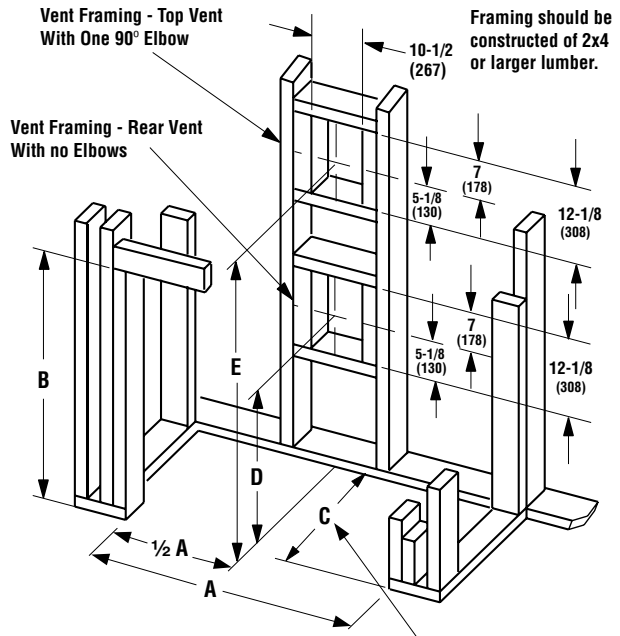
Framing Dimensions

Corner Framing With SV4.5HT-2 Termination



Diagrams, illustrations and photographs are not to scale. Consult installation instructions. Product designs, materials, dimensions, specifications, colors, and prices are subject to change or discontinuance without notice.

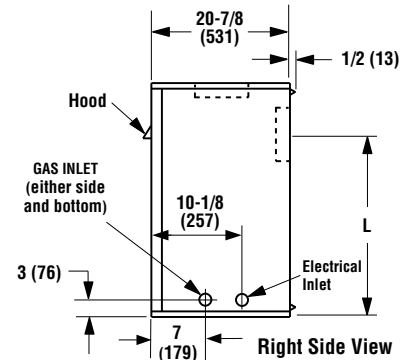
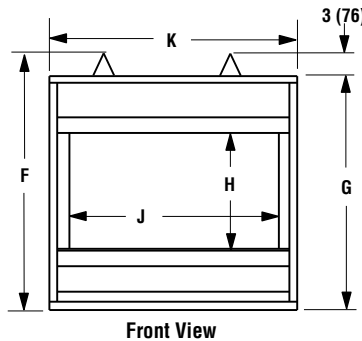
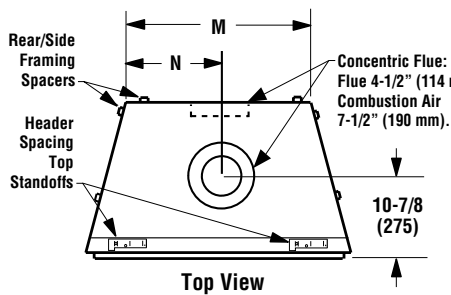
Vent Framing - Top Vent With One 90° Elbow



Vent Framing - Rear Vent With no Elbows

C is the required framing depth dimension when the finish material (drywall) thickness is 1/2" (13mm)

Fireplace Dimensions



Roof Framing Dimensions	
PITCH	Parallel to Framing
0/12	10-1/2" (267 mm)
6/12	10-1/2" (267 mm)
12/12	10-1/2" (267 mm)
PITCH	Perpendicular to Framing
0/12	10-1/2" (267 mm)
6/12	12" (305 mm)
12/12	17-3/4" (451 mm)

Model		F	G	H	J	K	L	M	N
EDV35	in.	40-1/8	37-1/8	24	29-1/2	35-1/8	27-1/2	21-1/2	10-3/4
	mm	1019	943	609	749	892	698	546	273
EDV40	in.	40-1/8	37-1/8	24	34-1/2	40-1/8	27-1/2	26-1/2	13-3/4
	mm	1019	943	609	876	1019	698	675	337
EDV45	in.	40-1/8	37-1/8	24	39-1/2	45-1/8	27-1/2	31-1/2	15-3/4
	mm	1146	943	609	1003	1146	698	802	401

NOTE: DIAGRAMS & ILLUSTRATIONS ARE NOT TO SCALE.

Inches (millimeters)

# EDV35 / EDV40/ EDV45

Product Ref. Information

Product Information		
Model	Shipping Weight	Shipping Volume
EDV35	172 lbs.	26.1 cu. ft.
EDV40	184 lbs.	29.6 cu. ft.
EDV45	205 lbs.	33.0 cu. ft.

Canada  
**ENERGUIDE**  
Look for the **EnerGuide** Gas Fireplace Energy Efficiency Rating in this brochure  
Based on CSA P.4.1-09

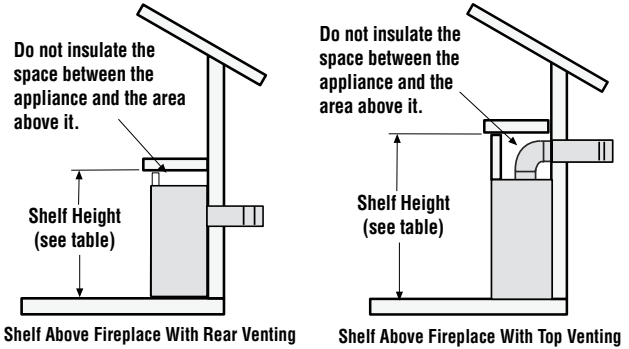
Tested & Listed By **OTL** Portland Oregon USA  
OMNI-Test Laboratories, Inc. OTL Report No. 116-F-05d-5  
Listed to - ANSI Z21.88-2009 (in Canada, CSA-2.33-2009), and CAN/CGA-2.17-M91(R2009) in both USA and Canada, as a vented gas fireplace heater.

Models	Input Rate (BTU / HR)	
	Nat. Gas	Prop. Gas
EDV35	25,000 high 19,000 low	24,000 high 18,000 low
EDV40	27,000 high 21,000 low	27,000 high 21,000 low
EDV45	31,000 high 25,000 low	29,000 high 23,000 low

Shelf Height

All Models	Combustible Shelf Height - Inches (millimeters)	
	Secure Vent®	Secure Flex® (flex elbow)
Top Vent	*50-1/2 (1283)	*52-1/4 (1327)
Rear Vent	*40-1/4 (1022)	*40-1/4 (1022)

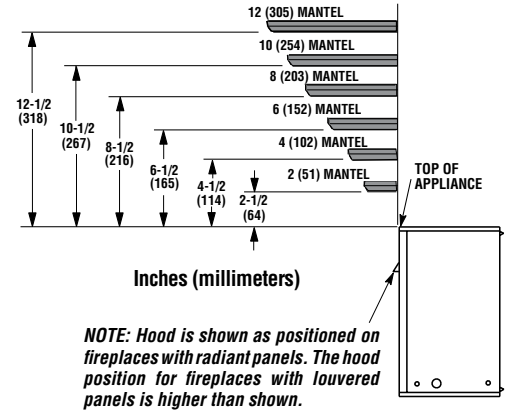
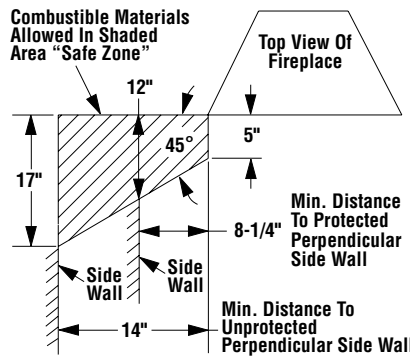
\* Includes 3" clearance to combustibles (required above vent components)



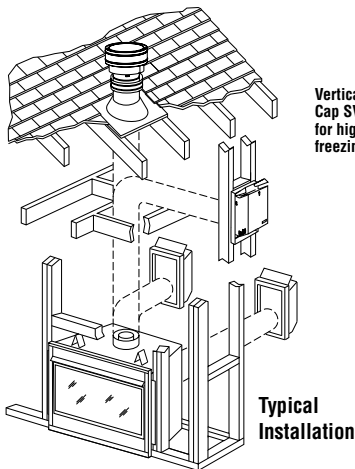
Clearances

Minimum Clearances Inches (millimeters)	
Back	1/2 (13) 0 (0) from Spacers or Dimples
Sides	1/2 (13) 0 (0) from Spacers or Dimples
Top Spacers	0 (0 mm)
Floor	0 (0)
From Bottom of Unit To Ceiling	64 (1626)
Vent	3 (76) Top* / 1 (25.4) Sides & Bottom
Service Clearances - Feet (meters)	
Front	3 feet (0.9 meters)

\*NOTE: 3" (75 mm) above any horizontal/ inclined vent component.



Venting Requirements



NOTE: DIAGRAMS & ILLUSTRATIONS NOT TO SCALE.

