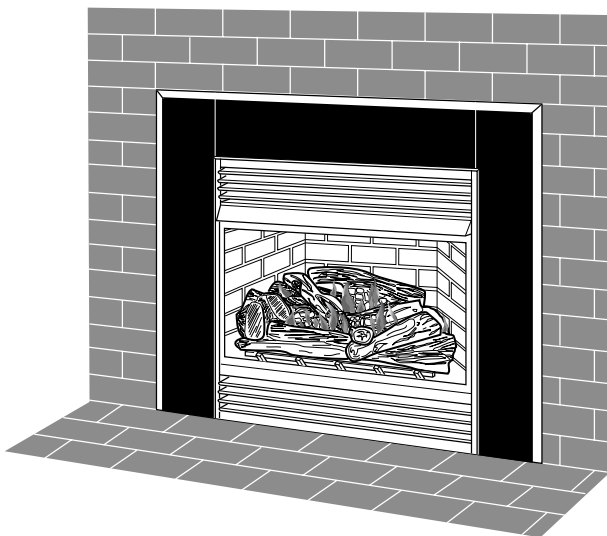




**HEARTH PRODUCTS**

**GB38 AND GB43 BLACK FIREPLACE SURROUND  
WITH BLACK TRIM**

**For Use With DESA Heating Products VI33NR/PR Vent-Free  
Fireplace Inserts Only**



**Installed Vent-Free Insert and Surround Kit**

**IMPORTANT: Read entire instruction sheet before assembling or installing fireplace surround kit. This fireplace surround is only approved for use with heater models VI33NR and VI33PR natural and propane/LP gas. Do not use fireplace surround with any other product.**

This fireplace surround kit contains the following:

	GB43	GB38
Perimeter Trim Kit	101240-03	101240-04
Surround, Left	105234-01CK	105234-02CK
Surround, Right	105235-01CK	105235-02CK
Surround, Top	105236-01CK	105236-02CK
Screw, 6-20 x 0.38	100587-01 (4)	100587-01 (4)
Screw, 10 x 0.38	098304-01 (14)	098304-01 (10)

Tools required:

- #2 Phillips Screwdriver
- 5/16" Socket or Nut Driver

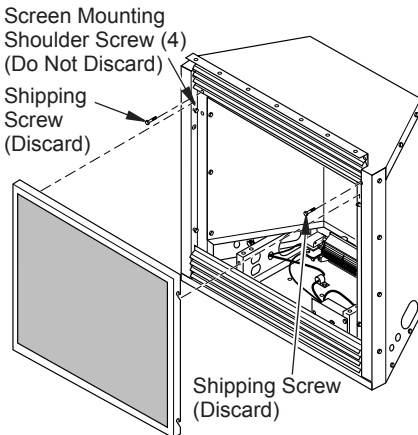
**Save for future reference.**

**For more information, visit [www.desatech.com](http://www.desatech.com)**

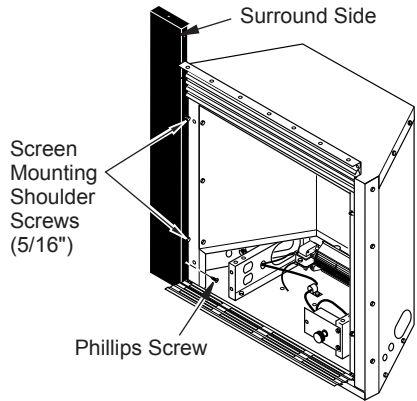
If any pieces are missing or damaged, contact dealer where you purchased this kit or call DESA Heating Products at 1-866-672-6040.

**⚠ CAUTION: Close fireplace damper securely before installing heater insert. If chimney does not have a damper, block or cap top of chimney. Failure to cap an open chimney could cause drafts that can affect the heater's performance and increase surface temperatures.**

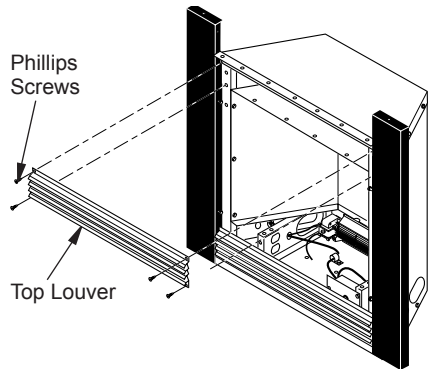
1. Using a 5/16" nut driver, remove 2 shipping screws and screen (see Figure 1). Discard screws. Remove 5/16" screen mounting shoulder screws (do not discard).
2. Remove log packaging from fireplace cavity.
3. Align holes in left surround side panel with screen mounting screw holes. Replace 5/16" screen mounting shoulder screws removed in step 1 (see Figure 2). Do not tighten. Install Phillips screw in bottom (see Figure 2). Repeat for right side.
4. Using Phillips screwdriver, remove 4 screws attaching top louver (see Figure 3).
5. Place top surround panel at top of fireplace insert. Bottom edge of panel will slide under top edge of insert. Align top panel screw holes with those in insert. Install four #10 Phillips screws, do not tighten.



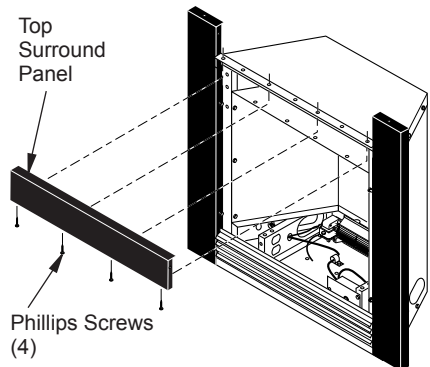
**Figure 1 - Removing Screws and Screen**



**Figure 2 - Attaching Left Surround Side Panel**



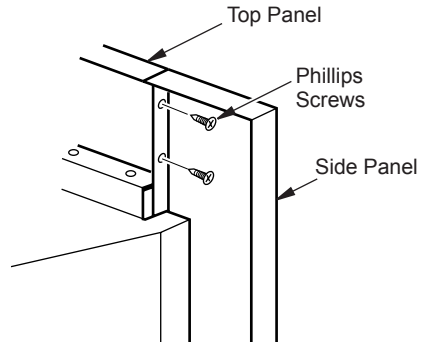
**Figure 3 - Remove Louver**



**Figure 4 - Attaching Top Surround Panel**

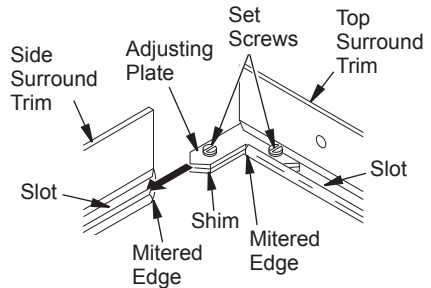
6. Align screw holes in side panels with holes in top panel (see Figure 5). Insert and tighten #10 Phillips screws.
7. Reinstall louver removed in step 4, page 2.
8. Carefully inspect fireplace surround assembly. Make sure each part fits properly. Firmly tighten all screws installed during assembly.

**CAUTION: Do not over-tighten. Metal can bend, warp, or break under excessive strain.**



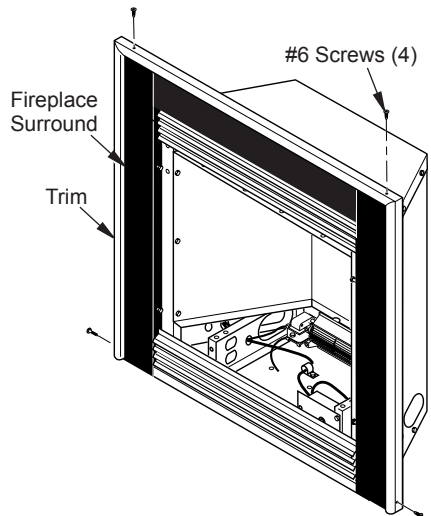
**Figure 5 - Attaching Side Panels to Top Panel**

9. Remove 3 pieces of surround trim from packaging.
10. Locate four #6 screws, 2 adjusting plates with set screws, and 2 shims in hardware packet.
11. Align shim under adjusting plate as shown in Figure 6.
12. Slide one end of adjusting plate/shim in slot of top surround trim (see Figure 6).
13. Slide other end of adjusting plate/shim in slot on mitered edge of side surround trim (see Figure 6).
14. While firmly holding edges of trim together, tighten both set screws on adjusting plate with slotted screwdriver.
15. Repeat steps 11 through 14 for other side.
16. Line up holes in surround trim with holes on side panels of fireplace surround assembly. Attach with screws provided (see Figure 7).
17. Move heater and surround assembly to fireplace opening. Make sure heater and surround assembly fit properly.



**Figure 6 - Assembling Surround Trim**

**WARNING: A qualified service person must install gas piping to heater. Follow installation instructions included in fireplace insert owners manual and all local codes.**



**Figure 7 - Attaching Trim to Fireplace Surround**

Proceed with installation instructions included with unit.



2701 Industrial Drive  
P.O. Box 90004  
Bowling Green, KY 42102-9004  
[www.desatech.com](http://www.desatech.com)



122101 01  
NOT A UPC

122101-01  
Rev. A  
06/07