

OPTIONAL FIREPLACE HOOD INSTALLATION INSTRUCTIONS

R-2965 ELH-1 FIREPLACE HOOD KIT (EFFECTIVE DATE AUGUST 2017)

OPTIONAL FIREPLACE HOOD – ELH-1 BLACK HOOD	
Model Number	
VFSR(16,18,24,30)	VFSE(18, 24, 30)
VFSV(16, 18, 24, 30)	VFSM(18, 24, 30)

INSTRUCTIONS MUST BE LEFT WITH THE OWNER FOR FUTURE REFERENCE AFTER INSTALLATION.

INSTALLING OPTIONAL FIREPLACE HOOD

Refer to the appropriate drawing to determine mantel requirements when using optional hood with the appliance that you have purchased. When using the optional fireplace hood there must be non-combustible material above the top of the fireplace opening for a distance of 8" or 12", depending on the appliance that you have purchased, refer to appropriate drawing. The non-combustible material must extend the full width of the fireplace opening. See Installation Instructions and Owner's Manual for additional information on minimum clearances.

1. The fireplace hood can be installed on a flat, non-combustible surface or a masonry surface.
2. The fireplace hood is expandable to accommodate fireplace openings from a minimum width of 28" to a maximum width of 48". The fireplace hood has three parts, the hood center, hood end-left and hood end-right.
3. Expand the fireplace hood to match the width at the top of the fireplace opening. Be sure to evenly expand the hood end-left and hood end-right to achieve an evenly matched fireplace hood.

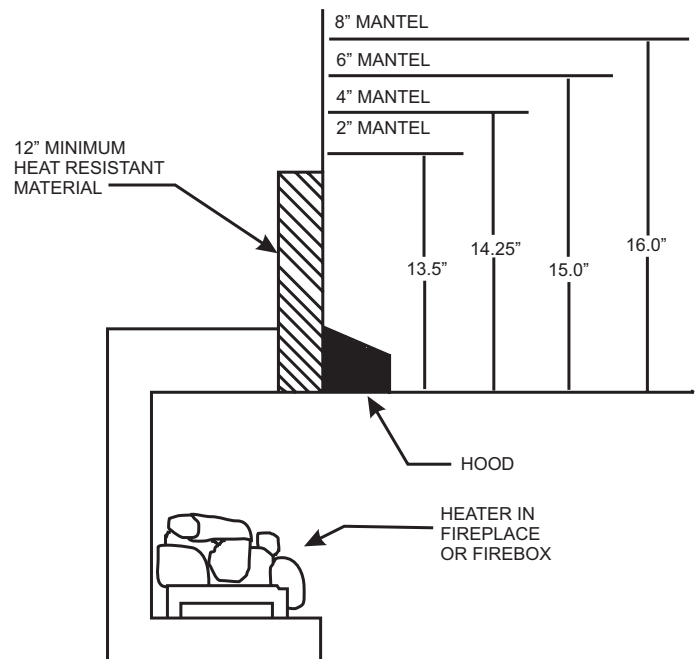
MASONRY SURFACE

1. To mount fireplace hood on a flat masonry surface or uneven masonry surface you will use the two hood supports with the four 1 1/4" masonry screws.
2. On the underside, top of the fireplace opening, place the two hood supports into the left edge and the right edge of the fireplace opening. The 1 1/2" leg of the hood support will extend into the top of the fireplace opening. The 3 1/2" leg of the hood support will be above the top of the fireplace opening.
3. Attach the two hood supports to the underside, top of fireplace opening with the four 1 1/4" masonry screws (two screws for each hood support). Do not completely tighten screws as a final adjustment may be required.
Attention: The slots in the hood support allow for attachment of the fireplace hood to uneven surfaces. Be sure the hood supports extend beyond the farthest point of the uneven surface for a distance of 3 1/2" above the top of the fireplace opening.

MINIMUM CLEARANCES WITH FIREPLACE HOOD FOR:

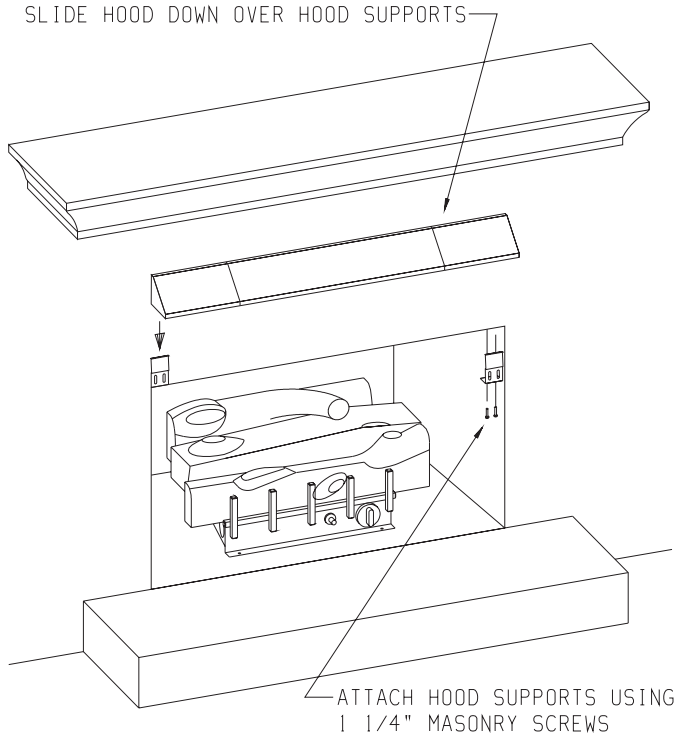
- VFSR(16, 18, 24, 30)
- VFSE(18, 24, 30)
- VFSV(16, 18, 24, 30)
- VFSM(18, 24, 30)

NON-COMBUSTIBLE MATERIAL DISTANCE	REQUIREMENTS FOR SAFE INSTALLATION
12" or more	Non-combustible material.
Less than 12"	Non-combustible material must be extended to at least 8" with the installation of the optional fireplace hood. If you cannot extend non-combustible material at least 8", you must operate heater with flue damper open.

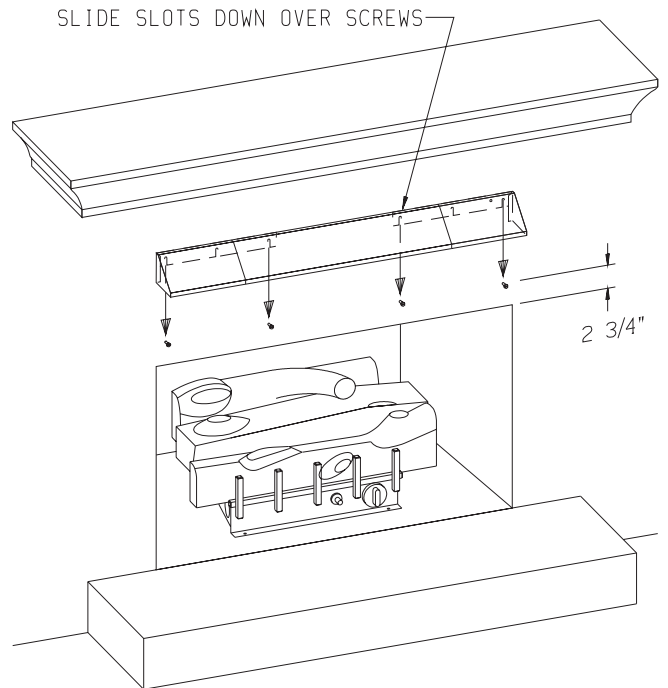


ELH-1 - FIREPLACE HOOD KIT

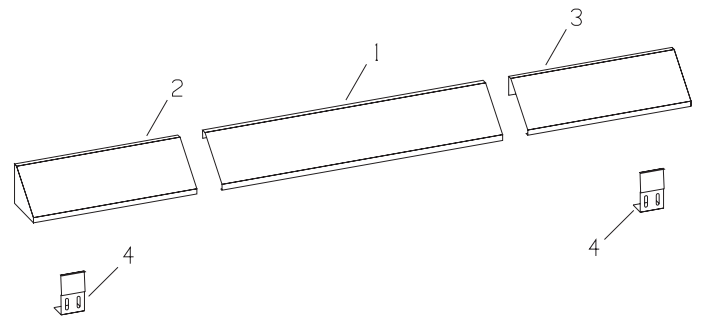
- Place the fireplace hood over the two hood supports. The fireplace hood will rest on the 1/8" offset on the hood supports. No screws are required for attachment of fireplace hood to hood supports.
- Adjust the hood supports in or out of the fireplace opening to properly align the fireplace hood. Tighten the four 1/4" masonry screws after final adjustment has been made.
- Installation of fireplace hood on masonry surface is completed.



INSTALLING HOOD ON MASONRY SURFACE



INSTALLING HOOD ON NON-COMBUSTIBLE SURFACE



NON-COMBUSTIBLE SURFACE

- To mount fireplace hood on a flat, non-combustible surface you will use the four 1/2" screws.
- Align the bottom on the fireplace hood with the top of the fireplace opening. The fireplace hood will extend above the top of the fireplace opening by approximately 3 1/2".
- On the hood end-left and hood end-right there are three 1" slots for attaching the 1/2" screws to the non-combustible surface,
- With the fireplace hood evenly expanded use two slots on the hood end-left and hood-end right that provide the most support for the fireplace hood.
- Mark the location of the four slots that are to be used on the flat, non-combustible surface. From the top of the fireplace opening, measure upward approximately 2 3/4" for attaching the four 1/2" screws to the flat, non-combustible surface. Do completely tighten the four screws.
- With the slots on the fireplace hood aligned with the screws, place the fireplace hood onto the screws.
- Tighten the four screws after fireplace hood is properly positioned.
- Installation of the fireplace hood on non-combustible surface is completed.

ELH-1 BLACK HOOD - PARTS LIST

Index Number	Part Description	Part Number	Quantity Supplied
1	Hood Center	EL-147	1
2	Hood End-Left	EL-148	1
3	Hood End-Right	EL-149	1
4	Hood Support	EL-150	2
N/A	1/2" Screw	R-2737	4
N/A	1 1/4" Masonry Screw	R-2870	4