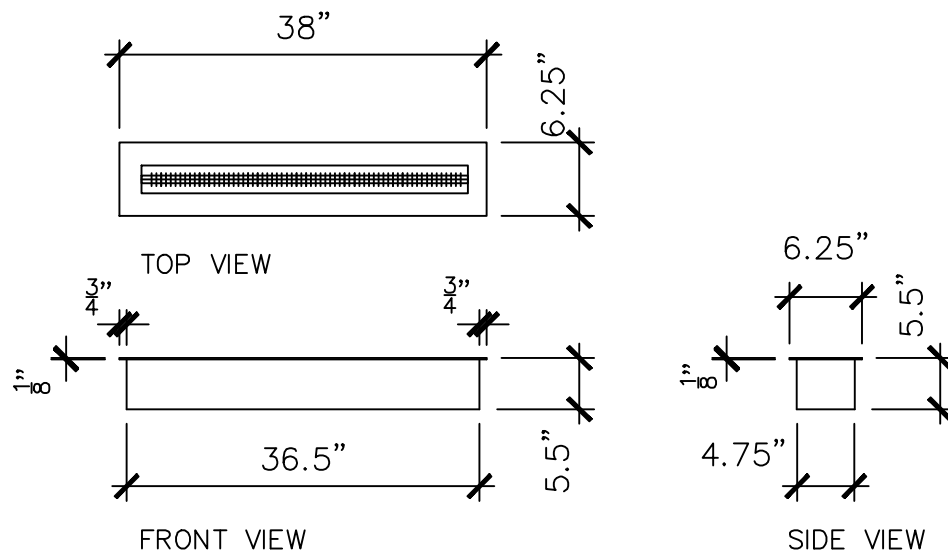


THE BIO FLAME – 38” BURNER

MODEL SPECIFICATIONS



CLEARANCES:

INSERTING WITHIN A FIREBOX SETTING:

The Bio Flame 38" BURNER can only be fitted into a non-combustible firebox that has minimum clearances of 46"W x 20"H x 15"D.

Custom Made fireboxes must:

–Be made out of a non-combustible material such as stainless steel

When recessing the tray into a non-combustible base with no firebox, the overhead clearance required is 60"MIN. to the nearest combustible

