

**Vented Series: 010**

Complies with:  
ANSI Z21.97/CSA 2.41 for  
outdoor decorative gas  
appliances  
(when installed with select  
R.H.P. Vented  
Gas Appliances)



**⚠ WARNING: For Outdoor Use Only**

**For use with  
natural gas only**

**CHICA OUTDOOR FIREPLACES**

**⚠ WARNING:** If the information in this manual is not followed exactly, a fire or explosion may result causing property damage, personal injury or loss of life.

- Do not store or use gasoline or other flammable vapors and liquids in the vicinity of this or any other appliance.
- A propane cylinder shall not be stored in the vicinity of this or any other appliance.

**⚠ DANGER**

If you smell gas:

1. Shut off gas to the appliance.
2. Extinguish any open flame.
3. If odor continues, keep away from the appliance and immediately call your gas supplier or fire department.

Installation and service must be performed by an NFI Certified or other qualified professional installer, service agency, or gas supplier.

**INSTALLER & CONSUMER:** These instructions MUST be retained with this unit for future reference.

**Important:** Read these instructions carefully before starting installation of the unit.

**⚠ WARNING**

Improper installation, adjustment, alteration, service, or maintenance can cause property damage, personal injury, or loss of life. Read the installation, operating and maintenance instructions thoroughly before installing or servicing this equipment.

The R.H.P. gas appliance is designed as an **attended appliance**. Adults **must** be present when the unit is operating. **DO NOT** leave the unit burning when unattended. If the product is left burning unattended, it may cause damage or serious injury.

**IMPORTANT**

For safe operation and proper performance of this product and to comply with certification, listings, and building code acceptances, use **ONLY** Robert H. Peterson (R.H.P.) controls, parts, and accessories that have been specifically listed or certified for use with this fireplace. Use of other controls, parts, or accessories is prohibited and will void all warranties, certifications, listings, and building code approvals, and may cause property damage, personal injury, and loss of life.

**CODE AND SUPPLY REQUIREMENTS:**

The gas installation must conform with local codes and ordinances, or, in the absence of local codes, with the latest *National Fuel Gas Code, ANSI Z223.1*.

**⚠ DANGER**

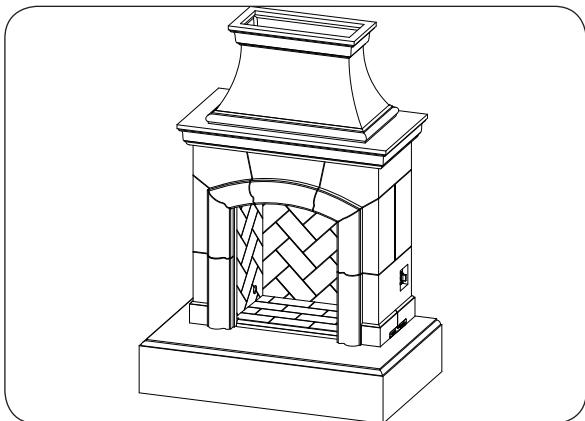
**CARBON MONOXIDE HAZARD**

A vented gas appliance can produce carbon monoxide which has no odor.

Using it in an enclosed space can kill you.

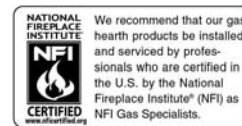
Never use the appliance in an enclosed space such as a camper, tent, car, or home.





Conforme à:  
ANSI Z21.97/CSA 2.41 pour  
l'extérieur des appareils à gaz  
décoratifs  
(lorsqu'il est installé avec  
sélection R.H.P. Ventilé les  
appareils à gaz)

Ventilé Série: 010



**⚠ AVERTISSEMENT: Pour l'usage extérieur seulement**

**Pour une utilisation avec gaz naturel seulement**

## CHICA CHEMINÉES D'EXTÉRIEUR

**⚠ AVERTISSEMENT:** Si l'information en ce manuel n'est pas suivie exactement, une incendie ou une explosion peut résulter entraînant des dégâts matériels, le dommage corporel ou des pertes humaines.

- Ne pas entreposer ni utiliser d'essence ou d'autres vapeurs et liquides inflammables à proximité de cet appareil ou de tout autre.
- Une bouteille de propane ne doit pas être stocké dans le voisinage de cet appareil ou de tout autre appareil.

**⚠ DANGER**

Si vous sentez une odeur de gaz:

1. Coupez le gaz à l'appareil.
2. Éteindre toute flamme nue.
3. Si l'odeur persiste, éloignez-vous de l'appareil et appelez immédiatement votre fournisseur de gaz ou les pompiers.

L'installation et le service doivent être assurés par un NFI certifié ou toute autre installateur, agence de service, ou fournisseur professionnelle qualifiée de gaz.

**⚠ DANGER**

### CARBON MONOXIDE HAZARD



Un foyer à gaz ventilé peut produire du monoxyde de carbone qui n'a pas d'odeur.

Son utilisation dans un espace clos peut vous tuer.

Ne jamais utiliser l'appareil dans un espace clos, tel qu'une caravane, tente, voiture ou à la maison.

**d'INSTALLATEUR; CONSOMMATEUR:** Ces instructions DOIVENT être maintenues avec cet appareil pour la future référence.

**Important:** Lisez ces instructions soigneusement avant de commencer l'installation de l'unité.

**⚠ AVERTISSEMENT**

L'installation, l'ajustement, le changement, le service, ou l'entretien inexact peuvent causer des dégâts matériels, le dommage corporel, ou des pertes humaines. Lisez l'installation, l'opération et les instructions d'entretien complètement avant d'installer ou entretenir cet équipement.

Le R.H.P. Appareil à gaz est conçu comme un appareil assisté. Les adultes doivent être présents lorsque l'appareil est en marche. Ne laissez pas l'appareil est en marche sans surveillance. Si le produit est laissé brûler sans surveillance, il peut causer des dommages ou des blessures graves.

### **IMPORTANT**

Pour un fonctionnement sûr et une bonne performance de ce produit et de se conformer à la certification, les annonces, et les acceptations du code du bâtiment, utiliser uniquement des contrôles Robert H. Peterson (R.H.P.), les pièces et accessoires qui ont été spécifiquement énumérés ou certifiées pour une utilisation avec ce foyer. L'utilisation d'autres commandes, pièces, ou accessoires est interdite et videra toutes les garanties, certifications, listes, et approbations de codes du bâtiment, et peut causer des dégâts matériels, le dommage corporel, et des pertes humaines.

**CONDITIONS DE CODE ET D'APPROVISIONNEMENT:**

L'installation de gaz doit se conformer aux codes locaux et aux ordonnances, ou, en l'absence des codes locaux, au plus défunt code national de gaz de carburant, la norme ANSI Z223.1.

# TABLE OF CONTENTS

## GETTING STARTED

PRE-INSTALLATION AND PREPARATION SAFETY GUIDELINES .....	4
INSTALLATION SAFETY GUIDELINES .....	5
OPERATING THE UNIT SAFELY AND CORRECTLY .....	5
NOTES PAGE .....	6
SPECIFICATIONS AND DIMENSIONS.....	7
MINIMUM CLEARANCES TO COMBUSTIBLES .....	9
TOOLS REQUIRED .....	9
PARTS LIST.....	10

## INSTALLATION

IMPORTANT SAFETY INFORMATION.....	11
FIREPLACE INSTALLATION .....	11
<i>BEFORE YOU BEGIN</i> .....	11
<i>LOCATION</i> .....	11
<i>FIREPLACE ASSEMBLY - OVERVIEW</i> .....	12
<i>GAS SUPPLY SETUP</i> .....	13
<i>FIREPLACE ASSEMBLY - STEP BY STEP</i> .....	13
BURNER INSTALLATION .....	16
<i>BURNER INSTALLATION GUIDELINES</i> .....	16
<i>LEAK TEST</i> .....	16
OPTIONAL ACCESSORIES.....	17
<i>OPTIONAL GFRC CHIMNEY RAIN VENT CAP</i> .....	17
<i>OPTIONAL SCROLL SCREEN</i> .....	17
<i>OPTIONAL GFRC PROTECTOR PLATE</i> .....	17

## USE, CARE, & SERVICE

LIGHTING INSTRUCTIONS .....	19
<i>FOR YOUR SAFETY, READ BEFORE LIGHTING</i> .....	19
<i>TO SHUT OFF GAS TO THE APPLIANCE</i> .....	19
SERVICING AND CLEANING .....	20
<i>ANNUAL CLEAN / INSPECTION GUIDELINES</i> .....	20
<i>CONCRETE CARE</i> .....	21
TROUBLESHOOTING .....	21
WARRANTY .....	22

## IMPORTANT SAFETY INFORMATION

Congratulations on your purchase of an American Fyre Designs outdoor gas fireplace. Made with pride in America, your new fireplace complies with national safety standards and when installed per these instructions and used as intended it will provide warmth and comfort to your outdoor area for many years.

**Prior to installation and operation ensure that all specifications, dimensions, and minimum clearances stated in this manual are observed. You must read all warnings and safety information, and understand all of the information in this manual. All installation requirements must be observed and met.**

## PRE-INSTALLATION AND PREPARATION SAFETY GUIDELINES

This fireplace is designed to be installed with select R.H.P. vented gas appliances. The following 3 sections of warnings apply to this complete setup type:

- A. **A shut-off valve (not included) in the gas line is required.** It provides for safety when the unit is not in use and for convenient maintenance and repair. It must be installed within 6 feet of unit. Use a pipe joint compound resistant to all gasses on all male fittings except flare fittings.
  - B. Before installing this unit, check the **MINIMUM CLEARANCE TO COMBUSTIBLES** section to ensure that the surrounding area is **properly sized for the installation.**
  - C. The unit is for outdoor use only. **DO NOT** install or use this appliance inside a building, garage, or any other enclosed area, including recreational vehicles and/or boats. **THIS UNIT MUST BE INSTALLED IN SUCH A MANNER THAT ALL VENT OPENINGS ON THE UNIT REMAIN CLEAR AND FREE OF ALL OBSTRUCTIONS AT ALL TIMES AND DURING ALL WEATHER CONDITIONS.**
  - D. **SOLID FUEL MUST NOT BE BURNED** in the unit.
  - E. **CHECK GAS TYPE** (natural gas): The gas supply you intend to use may not be the same as that stated on the burner rating plate as purchased. If the gas supply is different, **DO NOT INSTALL**, and contact the dealer for assistance.
  - F. **FOR NATURAL GAS:** The minimum inlet gas-supply pressure for purposes of input adjustment is **5"** water column (w.c.), and the maximum inlet gas-supply pressure is **10.5 "** w.c.
  - G. **The gas piping system must be sized to provide minimum inlet pressure at the maximum flow rate (BTU/hr).** Undue pressure loss will occur if the pipe is too small, or the run is too long. Gas supply pipe must be 1/2" minimum interior diameter. If the gas line is longer than 20', a larger diameter line may be necessary. Refer to the NFPA 54 guidelines for further details.
  - H. For installations at elevations above 2,000 ft., contact your local dealer or gas supplier before installing. Input ratings should be reduced approximately 4% for each 1,000 ft. above sea level. Refer to the National Fuel Gas Code.
  - I. The gas appliance and the individual shut-off valve must be disconnected from the gas-supply piping system during any pressure testing of that system at test pressures in excess of 1/2 psi (3.5 kPa). This is accomplished by closing the gas-supply line valve. The unit must be isolated from the gas-supply piping system by closing its individual manual shut-off valve during any pressure testing of the gas-supply piping system at test pressures equal to or less than 1/2 psi (3.5 kPa).
  - J. When a gas appliance is for connection to a fixed piping system, the installation must conform with local codes, or in the absence of local codes with the National Fuel Gas Code, ANSI Z223.1/NFPA 54; International Fuel Gas Code, Natural Gas and Propane Installation Code, CSA B149.1; or Propane Storage and Handling Code, B149.2, as applicable.
  - K. **INSTALLER NOTE:** This unit should be installed so that it can be removed if service is required.
  - L. **GAS-SUPPLY PLUMBING REQUIREMENTS**

Apply only joint compounds that are resistant to all gasses on all male pipe fittings. Make sure to tighten every joint securely. Do not use pipe joint compound to connect flare fittings. Bring the gas-supply pipe up from beneath the hearth or directly behind the hearth as appropriate for your installation.
- CAUTION:** Installation and maintenance must be done by an NFI Certified or other qualified professional service technician. Installer, read these instructions (and all other instructions provided with separately purchased product) before installing. Be sure you understand all safety precautions and warnings contained in the manual(s).

## INSTALLATION SAFETY GUIDELINES

- A. Carefully inspect for shipping damage. If any parts are damaged, call the dealer.
- B. Installation and repair should be done by a qualified professional service technician. The gas appliance should be inspected before use and at least annually by a qualified service person. More frequent cleaning may be required as necessary. It is imperative that control compartment, burners and circulating air passageways of the fireplace and/or appliance are kept clean.
- C. Correct installation and proper placement of the gas appliance and its decorative media **is crucial** to the safe performance of the appliance. See the owner's manual provided with the gas appliance for further information.
- D. **DO NOT** install the unit under any overhead combustible materials.
- E. Ensure that the unit is installed on a hard and level surface.
- F. Ensure that the fireplace is installed in such a manner that all vent openings on the fireplace remain clear and free of all obstructions at all times and during all weather conditions.
- G. Due to high temperatures, the unit must be located out of traffic areas and away from combustibles.

## OPERATING THE UNIT SAFELY AND CORRECTLY

- A. **The R.H.P. burner is a decorative gas appliance. It is not a cooking appliance.**
- B. **SOLID FUEL MUST NOT BE BURNED in the unit.**
- C. When shutting the appliance down—be sure to TURN THE CONTROL VALVE FULLY OFF.
- D. Children MUST be supervised when they are in the area of this unit.
- E. **DO NOT sit or place any part of the body, clothing, or other flammable materials on or near the unit surround. Children and adults should be alerted to the hazard of high surface temperatures and should stay away to avoid burns or clothing ignition. DO NOT lean into the unit when lighting or when in use.**
- F. Every time you use the fireplace and appliance, **make sure that:**
  - 1. The area around the unit is clear and free from combustible materials, gasoline and other flammable vapors and liquids.
  - 2. There is no blockage of the airflow through the vent openings located on the fireplace.
  - 3. The hose is inspected (if applicable). See the SAFE USE & MAINTENANCE OF PROPANE-GAS CYLINDERS section.
- G. **WARNING: HOT WHILE IN OPERATION AND FOLLOWING OPERATION. Serious injury can occur! DO NOT throw trash, paper, or other flammable materials into the unit. DO NOT leave in operation when unattended.**  
**WARNING: DO NOT operate this fireplace and appliance in the rain.**  
**WARNING: DO NOT operate this fireplace and appliance in high-wind conditions.**
- H. **DO NOT** continue using if you smell unusual odors, or have headaches, nausea, or dizziness.
- I. **DO NOT** store any combustible materials, gasoline, and any other flammable vapors/liquids in the vicinity of the unit. Provide adequate clearance for servicing and operation.
- J. Matches, paper, garbage, or any other material must not be thrown into the unit.
- K. **DO NOT** use the appliance if any part of it has been underwater. Immediately call a qualified professional service technician to inspect the appliance and to replace any part of the control system and any gas control that has been underwater.

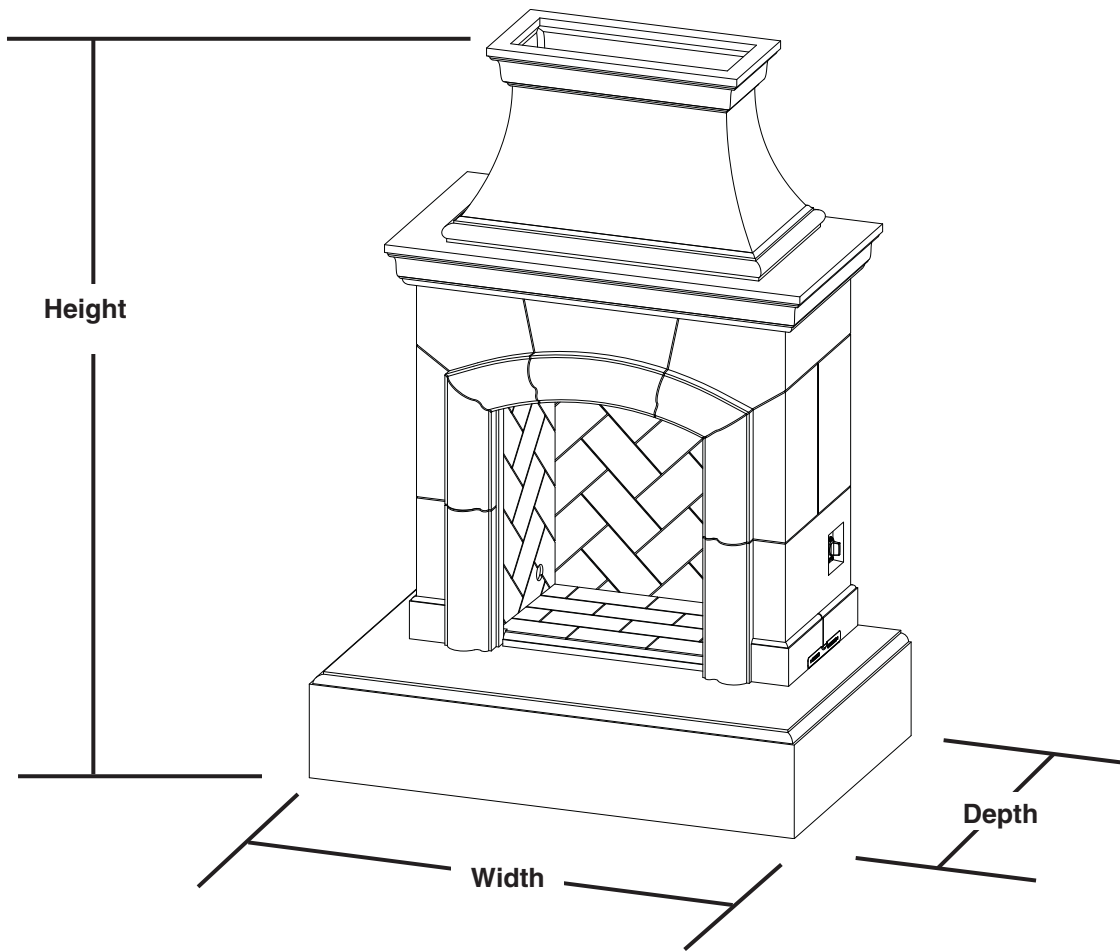
## NOTES PAGE

Please use this page to record any information that you may want to have at hand.

# SPECIFICATIONS AND DIMENSIONS

Style	Dimensions	Weight / Pieces
Chica Vented Fireplace (010)	47" w x 30" d x 67" h	610 lbs / 7 pcs

**Table 1 - Product Specifications**



## SPECIFICATIONS AND DIMENSIONS (cont.)

This fireplace is designed to be installed with an R.H.P. vented gas appliance. Below is a list of the options available for the fireplace. The gas appliance is purchased separately. Contact your local American Fyre Designs dealer when ordering.

Fireplace Style	Burner Options
Chica Vented Fireplace (010)	<b><u>G45 STAINLESS STEEL</u></b> (Log Set or Glass Models) <b>Match-Lit Models:</b> 16/19" burner (with 16" log set if applicable)

**Table 2 - Fireplace Burner Options**

The unit's marking label plates are located on a slide tray directly below the gas valve of the unit. Ensure the plates are placed away into the slide tray during installation. To view, simply slide out, access, then return once done.



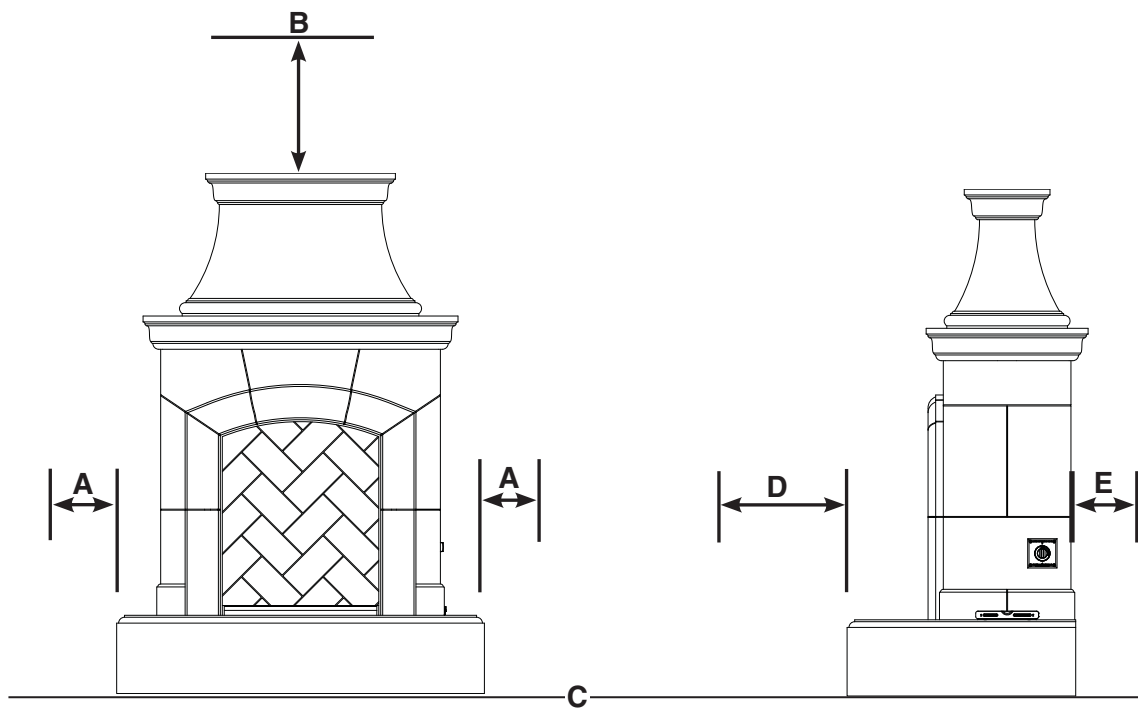
# MINIMUM CLEARANCES TO COMBUSTIBLES

The dimensions shown below are **MINIMUM CLEARANCES** to maintain when you install the unit.

**ALL CLEARANCES AND INFORMATION STATED HERE MUST BE MAINTAINED AND FOLLOWED.**

Description	Dimension
A. Side clearance (from hearth extension to combustible construction)	6"
B. Clearance above unit	<b>Not permitted</b>
C. Clearance below unit	0"
D. Front clearance (from hearth extension to combustible construction)	36"
E. Rear clearance	6"

**Table 3** - Minimum Clearances to Combustibles



Floor must be a hard, level surface. Combustible materials permitted.

## TOOLS REQUIRED

The following are the minimum tools required for the installation of your unit. Additional tools may be required for your individual installation.

- 2 (or more) assemblers recommended
- appropriate tools for gas supply install
- 3/4" open-end wrenches (2) (or equivalent)
- 9/16" open-end wrench (or equivalent)

# PARTS LIST

- Your unit is packaged onto 1 pallet.
- R.H.P. gas appliances are purchased and packaged separately. Various models are available.
- R.H.P. gas appliances and replacement parts can be ordered from your local American Fyre Designs dealer.
- Select models are illustrated (your model may vary)

**IMPORTANT**  
Remove all packing material (including any protective coatings) and discard prior to use.

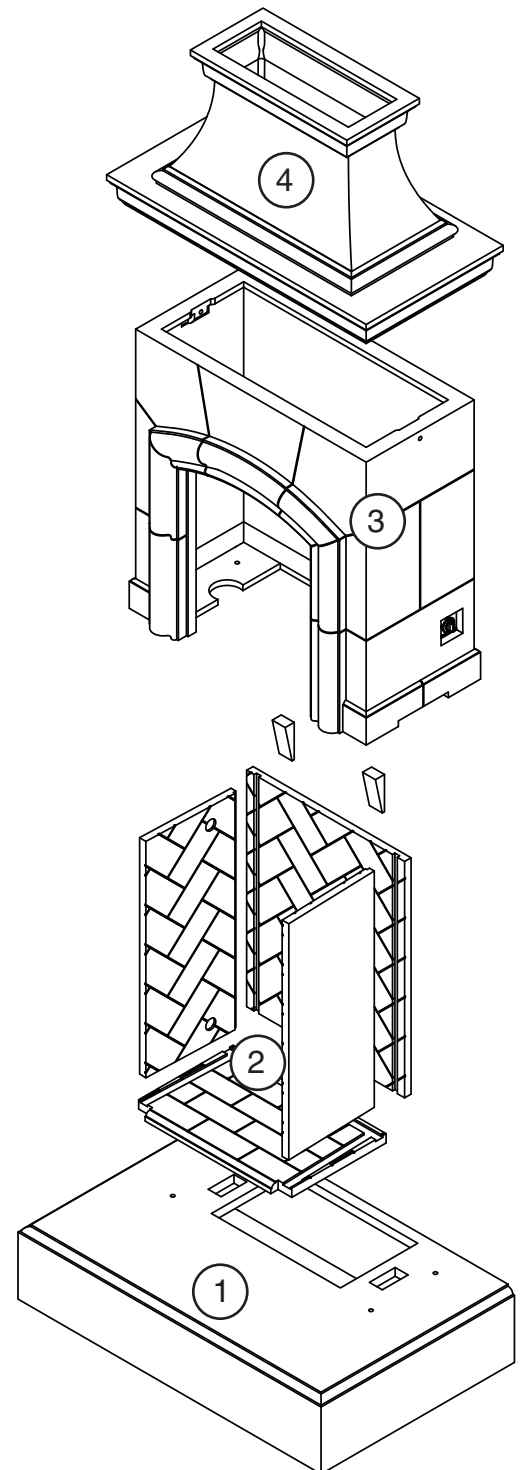


## IDENTIFICATION PARTS LIST

Item	Description	Qty.
1.	Hearth	1
2.	Firebox liners w/ shims (set of 4 liners and 2 shims)	1
3.	Body	1
4.	Chimney	1
5.	Bolt, 3/8"-16 x 2.5" (pre-installed in side wall)*	2
6.	Hardware kit † *	4

\* not shown

† each kit contains: (1) 1/2"-13 x 3.5" bolt, (1) nut, (2) washers



**Chica Vented Fireplace shown**  
(design of your model may slightly vary)

## IMPORTANT SAFETY INFORMATION

### BE CAREFUL

**If not installed and used correctly per these instructions, this product can cause serious injury.**

**CAUTION:** Installation and maintenance must be done by an NFI Certified or other qualified professional service technician. Read these instructions before installing this fireplace and the R.H.P. gas appliance. Be sure you understand all safety precautions and warnings contained in this manual and the appliance owner's manual.

**A. FOR OUTDOOR USE ONLY.**

**B.** When shutting the gas appliance down—be sure to **TURN THE CONTROL VALVE FULLY OFF.**

**C. WARNING: CARBON MONOXIDE POISONING MAY LEAD TO DEATH. DO NOT MODIFY THIS FIREPLACE OR THE GAS APPLIANCE, EXCEPT AS PROVIDED FOR IN THE MANUALS.** Any other change may be dangerous. Improper installation or use of the fireplace and R.H.P. gas appliance can cause serious injury or death from fire, burns, explosions, or carbon monoxide poisoning.

**D.** Check state and local codes to determine if the fireplace and R.H.P. gas appliance are permitted in your locality before installation.

**E.** The unit allows for an adjustable flame height. THESE SETTINGS MUST ALWAYS BE HIGH ENOUGH FOR THE FLAME TO BE CLEARLY VISIBLE. WHEN LIGHTING THE APPLIANCE, ALWAYS LIGHT ON HIGH.

## FIREPLACE INSTALLATION

### BEFORE YOU BEGIN

**Important:** Prior to installation ensure that all specifications, dimensions, and minimum clearances stated in this manual are observed. You must read all warnings and safety information, and understand all of the information in this manual. All installation requirements must be observed and met.

**WARNING:** Failure to position the parts in accordance with these diagrams or failure to use only parts specifically approved with this unit may result in property damage or personal injury.

- Confirm the installation site accommodates the fireplace per the requirements in this manual.
- Be sure the gas supply (natural only) is turned off at its source.
- Remove all packing material (including any protective coatings) and discard prior to installation.

### LOCATION

While following all requirements and safety information in this manual (see MINIMUM CLEARANCES TO COMBUSTIBLES section); determine and prepare the location of the fireplace (a hard and level surface).

**Note:** For fireplaces, a combustible surface is permitted.

**Important:** The gas supply must be considered when determining the location of the unit. See GAS SUPPLY SETUP section for details.

**ASSEMBLY REQUIRES TWO OR MORE PEOPLE.**

**EXERCISE EXTREME CARE DURING ASSEMBLY AND INSTALLATION.**

# FIREPLACE INSTALLATION (cont.)

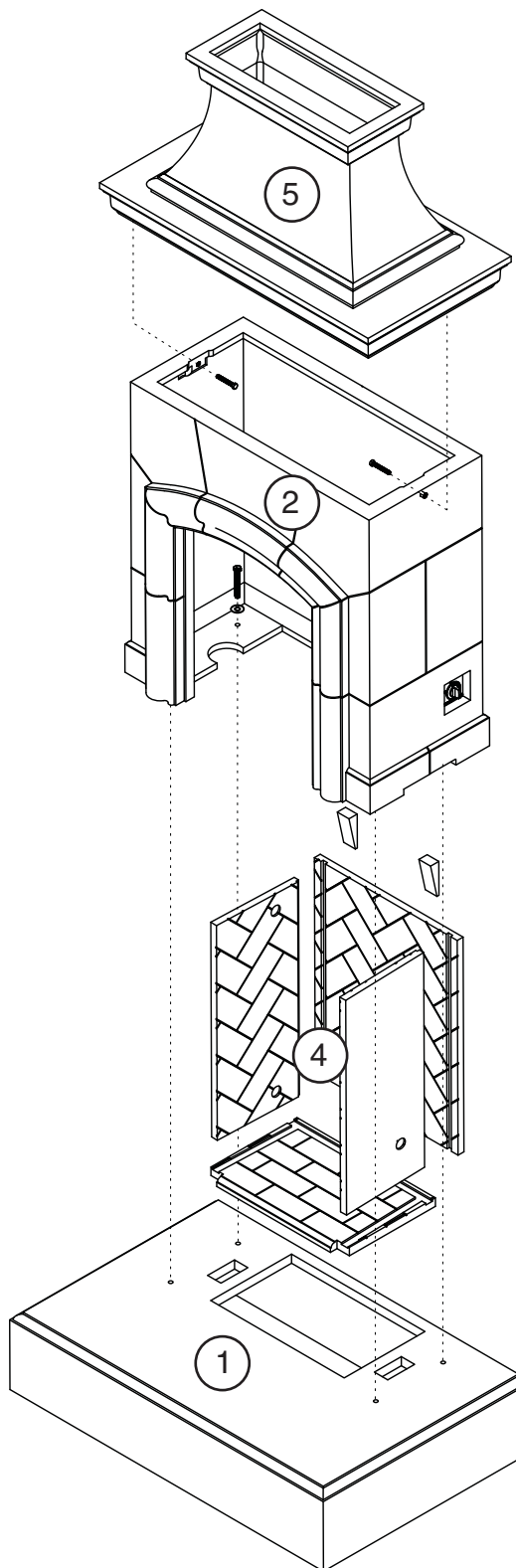
## FIREPLACE ASSEMBLY - OVERVIEW

**CAUTION:** Fireplace components are heavy. CAREFULLY handle all components during assembly.

- Fig. 12-1 provides an overall orientation and bolt assembly detail for the fireplace.  
(Assembly may slightly vary depending on model selected.)
- This section is just an overview, refer to the following step-by-step section for complete assembly and installation details.

### ASSEMBLY / INSTALL OVERVIEW

1. Place hearth
2. Assemble body
3. Connect gas (not shown)
4. Install firebox liners and shims
5. Assemble chimney
6. Install burner (not shown)



**Fig. 12-1**  
Overall Orientation

## FIREPLACE INSTALLATION (cont.)

### GAS SUPPLY SETUP

The gas supply is to be brought up directly behind the unit. Your individual installation may vary. **Observe the National Fuel Gas Code and all local codes.**

1. Route the gas supply into the area that the hearth will rest.

**Important:** Locate the gas supply line out of pathways where people may trip over it or in areas where the line may be subject to accidental damage (if applicable).

**Note:** A shut-off valve (not included) in the gas line is required. It must be installed within 6 feet of the unit. Use a pipe joint compound resistant to all gasses on all male fittings except flare fittings.

### FIREPLACE ASSEMBLY - STEP BY STEP

**CAUTION:** Fireplace components are heavy. **CAREFULLY** handle all components during assembly.

**Important:** DO NOT overtighten (to avoid damage to the unit).

Your assembly may slightly vary depending on model.

#### Hearth and Body

1. **CAREFULLY** place the hearth piece in an appropriate location (refer back to the LOCATION section if needed). See Fig. 13-1.
2. Place the body piece on top of the hearth. Carefully align the pilot holes, and insert the hardware in the order shown in Fig. 13-2. Hand tighten, then use two  $\frac{3}{4}$ " open end wrenches (or equivalent) to fasten.

**Note:** It is recommended to rest cardboard on the hearth when positioning the body (to prevent damage to the shelf surface). Remove once positioned.

Installation continued on next page

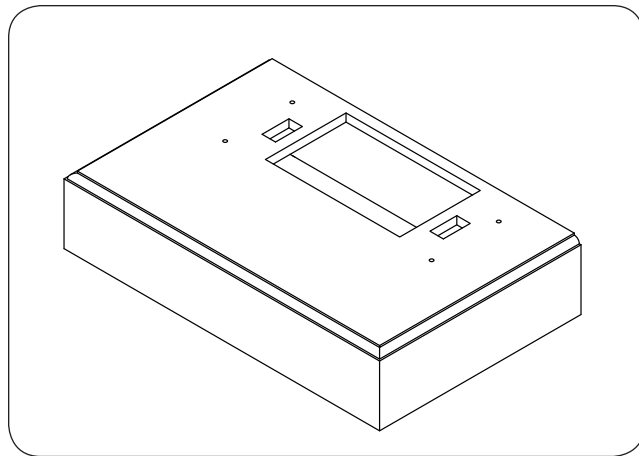


Fig. 13-1 Place hearth

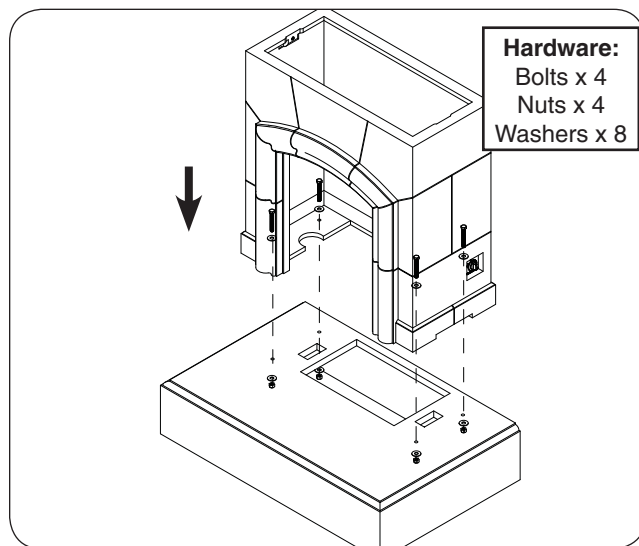


Fig. 13-2 Assemble body

## FIREPLACE INSTALLATION (cont.)

### Connect Gas Supply

**Important:** Before installation, be sure the gas supply (natural only) is turned off at its source.

Your unit is equipped with a flex connector (marked IN) that is to be routed to a gas supply appropriate for your setup. Additional gas components may be required. Consult a qualified professional service technician, and your local dealer.

(A second flex connector (marked OUT) is pre-attached to the valve on the interior of the fireplace. An R.H.P. burner is to be connected to it at a later time.)

1. Route the gas supply to the unit as applicable.

For rear installs, see Fig. 14-1.

For underneath installs, see Fig. 14-2.

Observe all codes and ensure all appropriate connections are used to properly connect the gas supply. Apply only joint compounds that are resistant to all gasses to all male pipe fittings except flare fittings. Make sure to tighten every joint securely and properly leak test at all connections.

Installation continued on next page

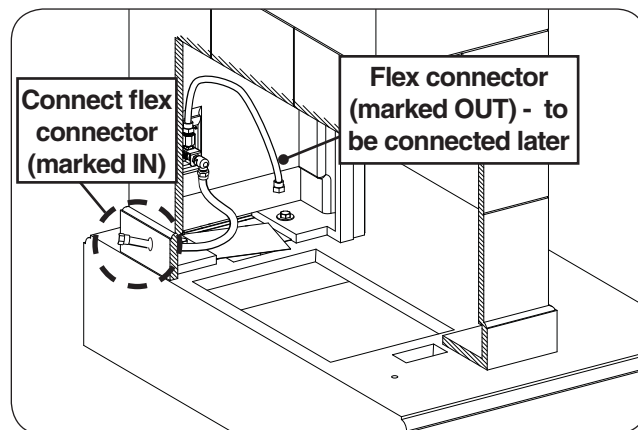


Fig. 14-1 Route gas supply (rear install)

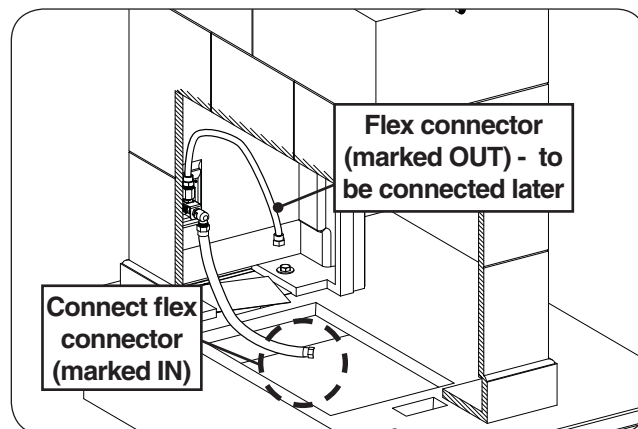


Fig. 14-2 Route gas supply (underneath install)

# FIREPLACE INSTALLATION (cont.)

## Liners

1. Install the firebox liners into the interior of the firebox in the order shown in Fig. 15-1.
  - The bottom and rear liners have grooves to assist in placement.
  - The two shims "D" are to be wedged between liner "B" and the rear wall by hand as shown. The shims secure the liner set in place.
  - Be sure to pull the flex connector inside of the fireplace body through the liner and into the open interior of the firebox (for later R.H.P. burner installation).

**Note:** The liners rest in place. No hardware is required.

## Chimney

1. Place the chimney piece on top of the body piece. See Fig. 15-2.
2. The left and right sides of the body interior each have a pre-installed bolt for securing the chimney. Reach up through the body and tighten the two bolts using a  $9/16$ " open end wrench (or equivalent). See Fig. 15-2 and Fig. 15-3.

**Important: DO NOT** overtighten (to avoid damage to the unit).

Installation continued on next page

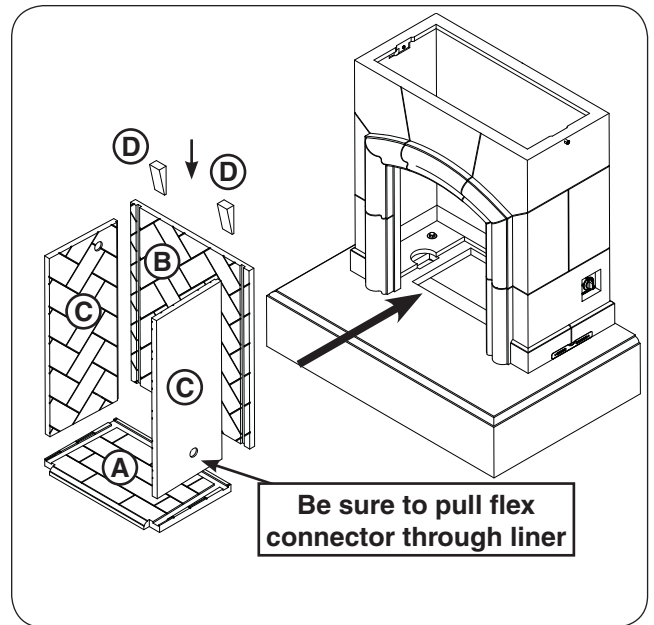


Fig. 15-1 Install firebox liners

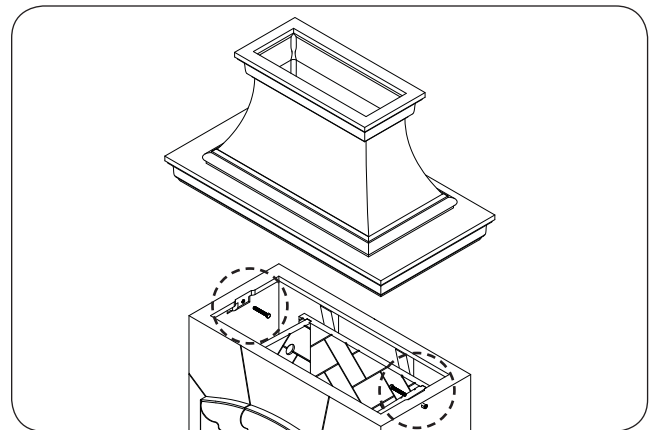


Fig. 15-2 Assemble chimney

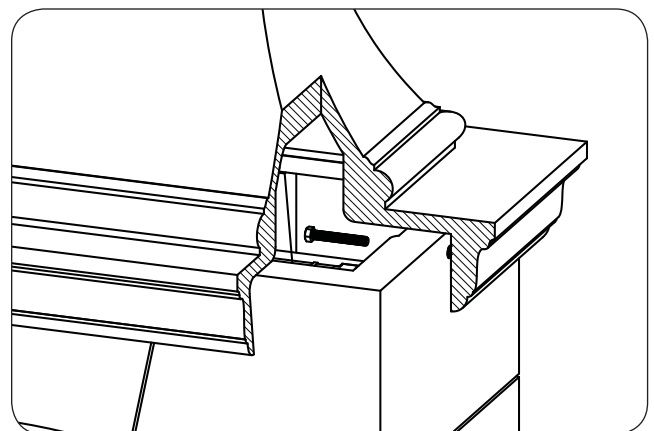


Fig. 15-3 Bolt detail

# BURNER INSTALLATION

## BURNER INSTALLATION GUIDELINES

**This fireplace is designed to be installed with an R.H.P. vented gas appliance.** The gas appliance is purchased separately. Follow all owner's manuals included with the appliance and decorative media to complete installation.

**Note:** The gas appliance will come equipped with a flex connector. Remove that connector, and connect the existing fireplace flex connector to the appliance.

Make sure to tighten every joint securely.

## LEAK TEST

**REFER TO THE BURNER OWNER'S MANUAL FOR DETAILS ON LEAK TESTING.** If a leak persists, turn off the gas supply and contact the local gas company or dealer. **NEVER USE A FLAME TO CHECK FOR LEAKS.**



## OPTIONAL ACCESSORIES

### OPTIONAL GFRC CHIMNEY RAIN VENT CAP

An optional GFRC chimney rain vent cap is available to protect your unit from the rain. Contact your local dealer for ordering information.

To place the cap, allow the unit to cool completely, then place as shown in Fig. 17-1.

The cap can be in place during operation.

### OPTIONAL SCROLL SCREEN

An optional scroll screen is available to protect your unit and to provide a decorative addition. Contact your local dealer for ordering information.

To install, allow the unit to cool completely, position the top of the screen into the top of the firebox opening, then lower the bottom of the screen until it rests in place. See Fig. 17-2.

The scroll screen can be in place during operation.

### OPTIONAL GFRC PROTECTOR PLATE

An optional GFRC protector plate is available to protect your unit and to provide a decorative addition when not in use. Contact your local dealer for ordering information.

To install, allow the unit to cool completely, position the top of the plate into the top of the firebox opening, then lower the bottom of the plate until it rests in place. See Fig. 17-3.

Remove plate before use.

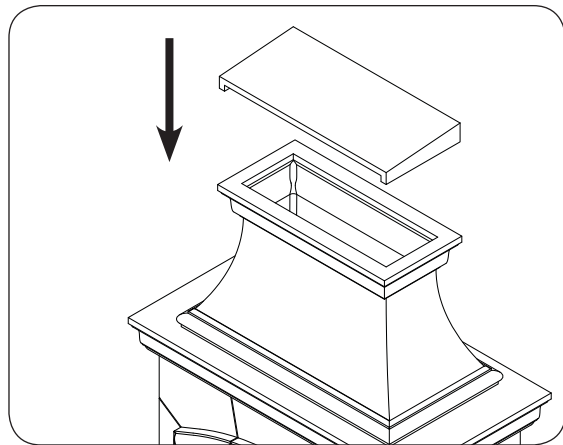


Fig. 17-1 GFRC rain vent cap placement

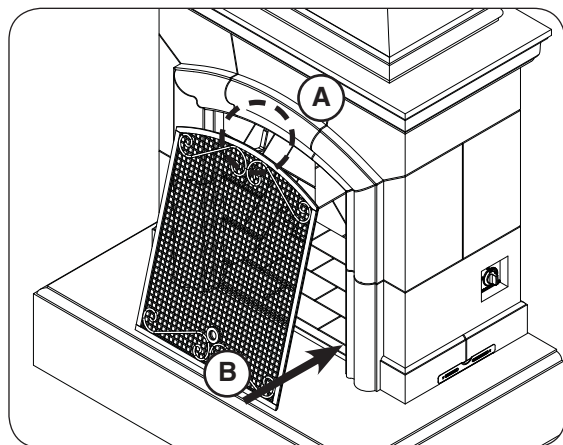


Fig. 17-2 Scroll screen placement

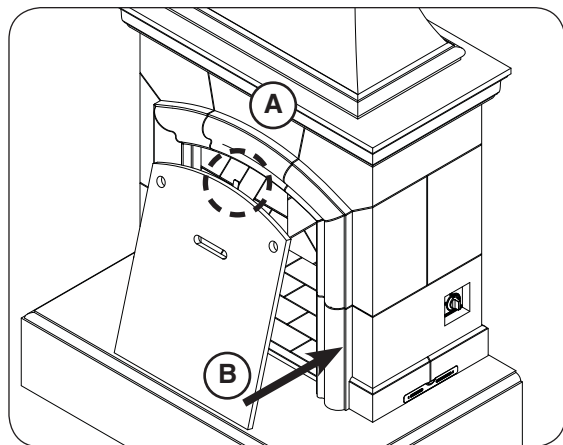


Fig. 17-3 GFRC protector plate placement

# INSTRUCTIONS D'ALLUMAGE

## POUR VOTRE SÉCURITÉ, LIRE AVANT D'ALLUMER

**AVERTISSEMENT: SI VOUS NE SUIVEZ PAS CES INSTRUCTIONS À LA LETTRE, UN INCENDIE OU UNE EXPLOSION POURRAIENT S'ENSUIVRE, CAUSANT DES DOMMAGES MATÉRIELS, DES BLESSURES OU DES PERTES DE VIE.**

- A. AVANT D'ALLUMER**, sentez tout autour de l'unité de surface pour le gaz. Assurez-vous de sentir près du plancher, car certains gaz sont plus lourds que l'air et se déposent sur le sol.
- B. QUE FAIRE SI UNE ODEUR DE GAZ**
1. Coupez le gaz à l'appareil.
  2. Éteindre toute flamme nue.
  3. Si l'odeur persiste, appelez immédiatement votre fournisseur de gaz ou le service des incendies.
- C.** N'utilisez que votre main pour enfoncer ou tourner le bouton de contrôle du gaz. Ne jamais utiliser d'outils. Si le bouton ne sera pas enfoncer ou à tourner à la main, NE PAS essayer de le réparer. Appelez un technicien de service qualifié. Force ou une tentative de réparation pourrait provoquer un incendie ou une explosion.

1. **ARRÊT!** Lire les consignes de sécurité ci-dessus.
2. S'assurer que le bouton de contrôle du gaz est en position **OFF (éteindre)** avant de séquence d'éclairage à partir la position.
3. Posez une lumineuse à longue tige match sur la surface du support de décoration à proximité de l'anneau brûleur (**ne tenez pas le match en main**) ou utiliser un briquet au butane allumée au long cou (Fig. 18-1).
4. **Une fois que le match est en feu et en position**, appuyer sur le bouton de contrôle du gaz et tournez dans le sens antihoraire à la position de **HI LIGHT (allumer)** (voir Fig. 18-2). Votre brûleur devrait s'allumer.

**AVERTISSEMENT:** Si le brûleur ne se allume pas la lumière dans les cinq (5) secondes de tourner le bouton de commande, appuyez immédiatement sur le bouton de commande et tournez dans le sens horaire à la position **OFF (éteindre)**.

Attendez environ cinq (5) minutes pour laisser échapper tout le gaz, et répétez les étapes 3-4 ci-dessus.

**Si votre brûleur ne s'allume pas, appuyer sur le bouton de commande et tournez dans le sens horaire à la position OFF (éteindre) et contactez votre revendeur ou fournisseur de gaz.**

**Note:** La hauteur des flammes peut être réglée via le bouton de commande.

## POUR ARRÊTER LE GAZ À L'APPAREIL

**Pour éteindre le brûleur à gaz**, appuyer sur le bouton de contrôle du gaz et tournez dans le sens horaire à la position **OFF (éteindre)** (voir Fig. 18-2). Assurez-vous que le bouton de commande est tourné complètement hors tension pour éviter toute fuite de gaz.

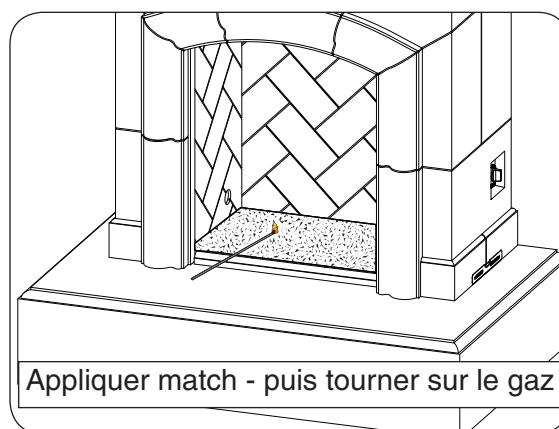


Fig. 18-1

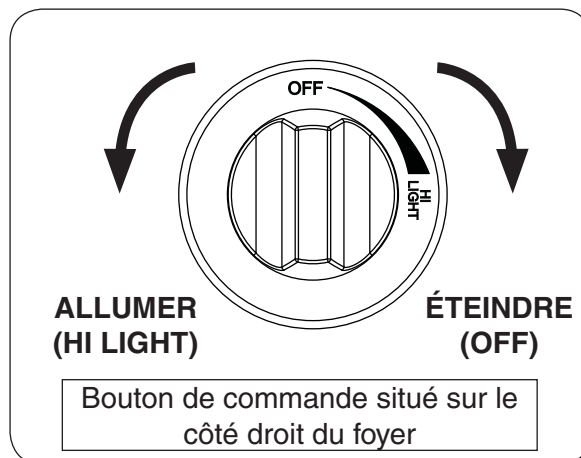


Fig. 18-2

# LIGHTING INSTRUCTIONS

## FOR YOUR SAFETY, READ BEFORE LIGHTING

**WARNING: IF YOU DO NOT FOLLOW THESE INSTRUCTIONS EXACTLY, A FIRE OR EXPLOSION MAY RESULT, CAUSING PROPERTY DAMAGE, PERSONAL INJURY, OR LOSS OF LIFE.**

- A. BEFORE LIGHTING**, smell all around the unit area for gas. Be sure to smell next to the floor, because some gas is heavier than air and will settle on the floor.
- B. WHAT TO DO IF YOU SMELL GAS**
  1. Shut off the gas to the appliance.
  2. Extinguish any open flame.
  3. If odor continues, immediately call your gas supplier or the fire department.
- C. Use only your hand to push in or turn the gas control knob. Never use tools. If the knob will not push in or turn by hand, **DO NOT** try to repair it. Call a qualified professional service technician. Force or attempted repair may result in fire or explosion.**

1. **STOP!** Read the safety information above.
2. Ensure the gas control knob is in the **OFF** position before beginning lighting sequence.
3. Lay a lighted long-stem match on the surface of the decorative media near the burner (**do not hold the match in your hand**) or use a lighted long-necked butane lighter (Fig. 19-1).
4. **Once the match is burning and in position**, depress the gas control knob and turn it counter-clockwise to the **HI LIGHT** position (see Fig. 19-2). Your burner should light.

**WARNING:** If the burner does not light within five (5) seconds of turning the control knob, immediately depress the control knob and turn clockwise to the **OFF** position.

Wait approximately five (5) minutes to clear out any gas, and repeat steps 3-4 above.

**If your burner fails to light again, depress the control knob and turn clockwise to the OFF position and contact your dealer or gas supplier.**

**Note:** The flame height can be adjusted via the control knob.

### TO SHUT OFF GAS TO THE APPLIANCE

**To extinguish your gas burner**, depress the gas control knob and turn it clockwise to the **OFF** position (see Fig. 19-2). Be sure the control knob is turned fully off to avoid any gas leakage.

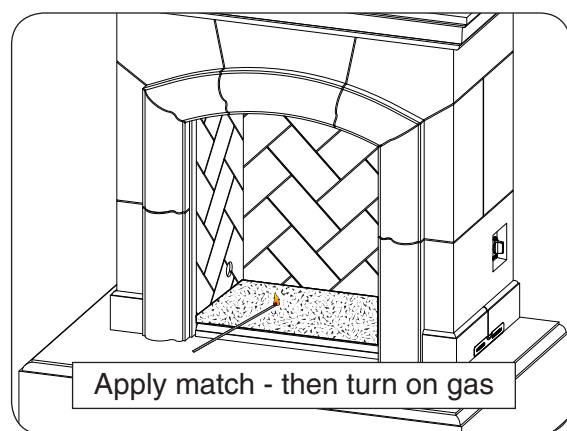


Fig. 19-1

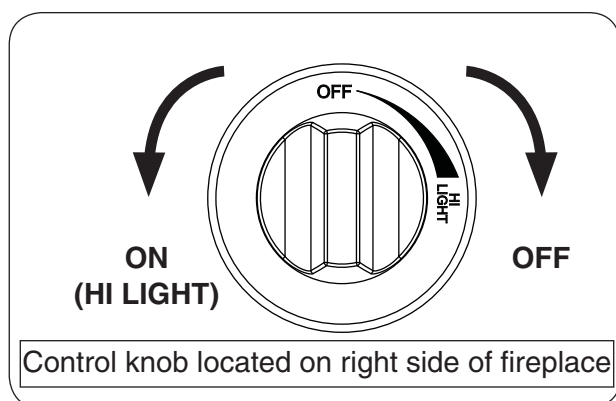


Fig. 19-2

## SERVICING AND CLEANING

Each installation site for any unit presents its own unique combustion environment. Specific factors such as weather, wind currents, yard debris, altitude, drafts, the size of the surrounding area, all have an influence on the proper operation of the gas appliance. A normally operating appliance will demonstrate the following characteristics:

- A lively, realistic yellow flame
- Odor-free

If the flame is not clean (identifiable by excessive sooting on the decorative media), refer to the information below. Some soot on the media may occur and should not be a concern unless excessive.

- Cover your fireplace opening with a screen/protector plate whenever it is not in use, and follow the guidelines below at least annually.

### ANNUAL CLEAN / INSPECTION GUIDELINES

The fireplace, gas appliance, and installation must be inspected annually. Refer to these instructions and the appliance owner's manual for details. Performing these procedures will ensure proper operation, appearance, and safety. WEAR GLOVES.

If maintenance is required, it must be done by a qualified professional service technician.

- Always shut off the gas to the appliance while performing service work.
- Allow the appliance to cool before servicing.
- The entire appliance should be inspected regularly:

Excessive debris can build up on the fireplace or appliance from leaves, dirt, or other debris. It is critical that all control components, burners, vent openings, and the surrounding area be kept clean and free of all obstructions.

Examine that all components are properly assembled / installed as instructed in this manual and the appliance owner's manual.

Ensure that all decorative media is properly placed as instructed in the appliance owner's manual.

- The appliance must be replaced prior to being put into operation if it is evident that the appliance is damaged. Contact your local dealer for replacement parts.
- DO NOT use substitute materials when replacing any components of the fireplace or appliance.
- **Keep the vent openings and surrounding area of the fireplace clean and free of obstructions at all times.**
- Periodically perform visual checks of the burner flames. The burner flames should be blue at the base with a combination of blue/yellow at the body and tips. Contact a qualified professional service technician for maintenance.
- **To maintain the concrete components,** see the CONCRETE CARE section for details.
- Any guard or other protective device removed for servicing the appliance shall be replaced prior to operating the appliance.
- Verify proper operation after servicing.

**CAUTION: HOT DURING OPERATION AND AFTER USE. Children must be supervised when in the vicinity of this fireplace. Serious injury may occur! Children must be alerted to the hazard of high surface temperatures and should stay away to avoid burns or clothing ignition.**

### CONCRETE CARE

As with any surface, concrete components require regular maintenance and care. Certain guidelines must be followed to preserve the concrete's appearance and structural integrity.

- **Scratches may occur due to usage.** To minimize, avoid striking or dragging heavy, rough, or sharp objects across the unit.
- **Spotting and hairline cracks may occur due to nature of product and are not considered a manufacturing defect.**
- **Concrete products are porous and susceptible to discoloration from liquids (especially oils and acidic substances).** During use, clean up any spills immediately to prevent any possible staining or damage to the finish. Avoid allowing water (or any liquid / substance) to stand on the surface.
- **To clean the concrete, first wash with a mild soap and water solution. For stubborn stains, a vinyl brush may be used. Allow to dry. Annually, follow up with a masonry sealer in order to preserve the finish.**
- It should be noted that, like natural stone, concrete products will develop a patina when left outside. No two concrete products are identically the same and the finish will vary.

### TROUBLESHOOTING

If you have trouble with your gas appliance, please refer to the owner's manual provided with it. By trying one or more of the solutions to the probable cause, you should be able to solve the problem. If the manual does not address your present problem, or if you have other technical difficulties with your appliance, please contact your local dealer or visit our web site at [www.rhpeterson.com](http://www.rhpeterson.com).

# WARRANTY

## AMERICAN FYRE DESIGNS BY R. H. PETERSON CO. LIMITED WARRANTY

Robert H. Peterson Co. ("RHP") warrants your American Fire Designs product to be free from defects in material and workmanship.

American Fyre Designs ("AFD") exterior Glass Fiber Reinforced Concrete (GFRC) fire features ("products") and burners are warranted for **THREE (3) YEARS**.

All AFD valves, electrical components, accessories and controls are warranted for **ONE (1) YEAR** (excluding batteries, wind guards and screens).

This warranty **does not** apply to: product damage caused by burning wood or any fuel other than natural gas or propane; or damage or discoloration to product used in high wind conditions.

### A COPY OF YOUR SALES SLIP FOR PROOF OF PURCHASE IS REQUIRED

This warranty applies to the original purchaser for products which are installed in the United States or Canada and which are operated and maintained as intended for single family residential usage. This warranty is valid only with proof of purchase, shall commence on the date of purchase, and shall terminate (both as to original and any replacement products) on the anniversary date of the original purchase of the product stated on the above schedules.

This warranty covers defects in material and workmanship. This warranty **does not** cover parts which become defective as a result of negligence, misuse, use not in compliance with the Owner's Manual/Installation Instructions, accidental damage, improper handling, improper storage, improper installation, lack of required routine maintenance (as specified in the Owner's Manual/Installation Instructions), electrical damage, local gas impurities or failure to protect against combustibles. Product must be installed (and gas must be connected) as specified in the Owner's Manual/Installation Instructions by a **qualified professional installer**. Modifications to products which are not specifically authorized will void this warranty. Accessories, parts, valves, remotes, etc. when used must be Peterson products or this warranty is void. Warrantied items will be repaired or replaced at Peterson's sole discretion. This warranty **does not** apply to rust, corrosion, oxidation, or discoloration unless the affected part becomes inoperable.

This warranty **does not** cover labor or labor related charges, except as provided by separate specific written programs from the Peterson Co. All repair work must be performed by a qualified professional service person and requires prior approval of Peterson.

Peterson may require the defective product or part to be returned to the factory to determine the cause of failure. Peterson will pay freight charges if the product or part is determined to be defective. This warranty does not cover breakage in shipment from our (Independent) distributor to its customer if the damage is determined to have occurred during that shipment.

This warranty specifically excludes liability for **indirect, incidental**, or consequential damages. Some states and provinces do not allow the exclusion or limitation of incidental or consequential damages, so the above exclusion may not apply to you. This warranty gives you specified legal rights, and you may have other rights that vary from state to state or province.

For additional information regarding this warranty, or to place a warranty claim, contact the R. H. Peterson dealer where the product was purchased.

**TO REGISTER YOUR PRODUCT ONLINE GO TO: [WWW.RHPETERSON.COM](http://WWW.RHPETERSON.COM),  
AND CLICK ON PRODUCT REGISTRATION. THANK YOU FOR YOUR PURCHASE.**

<b>Quality Check</b>	<b>Date:</b> _____
<b>Model#:</b> _____	
<b>Serial#:</b> _____	
<b>Inspector:</b> _____	