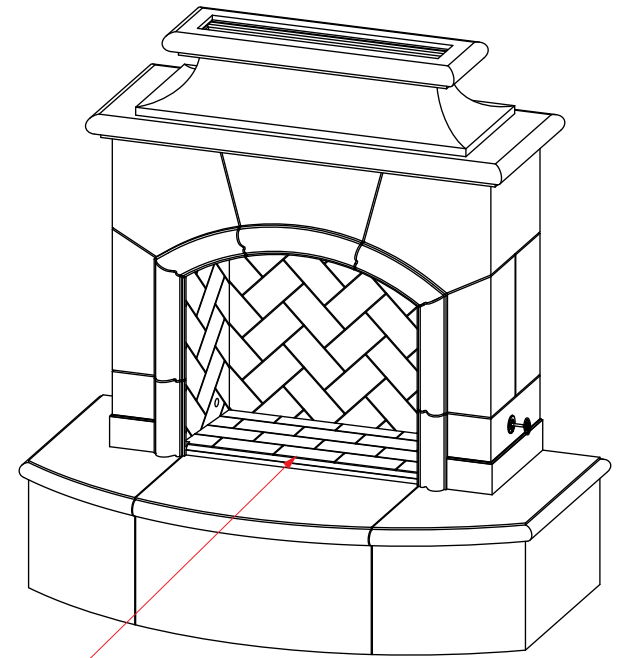


# Mariposa Fireplace

Vented Model #: 073-xx-x-xx-xxC  
 Vent-Free Model #: 173-xx-x-xx-xxC



Firebox: 28 1/2" w x 12 3/4" d x 21 1/4" h



## 073/173 Mariposa Fireplace Specifications

Dimensions:	65" w x 36" d x 67" h
Weight / Pieces:	970 lbs / 7 pcs
Firebox Dimensions:	28 1/2" w x 12 3/4" d x 21 1/4" h