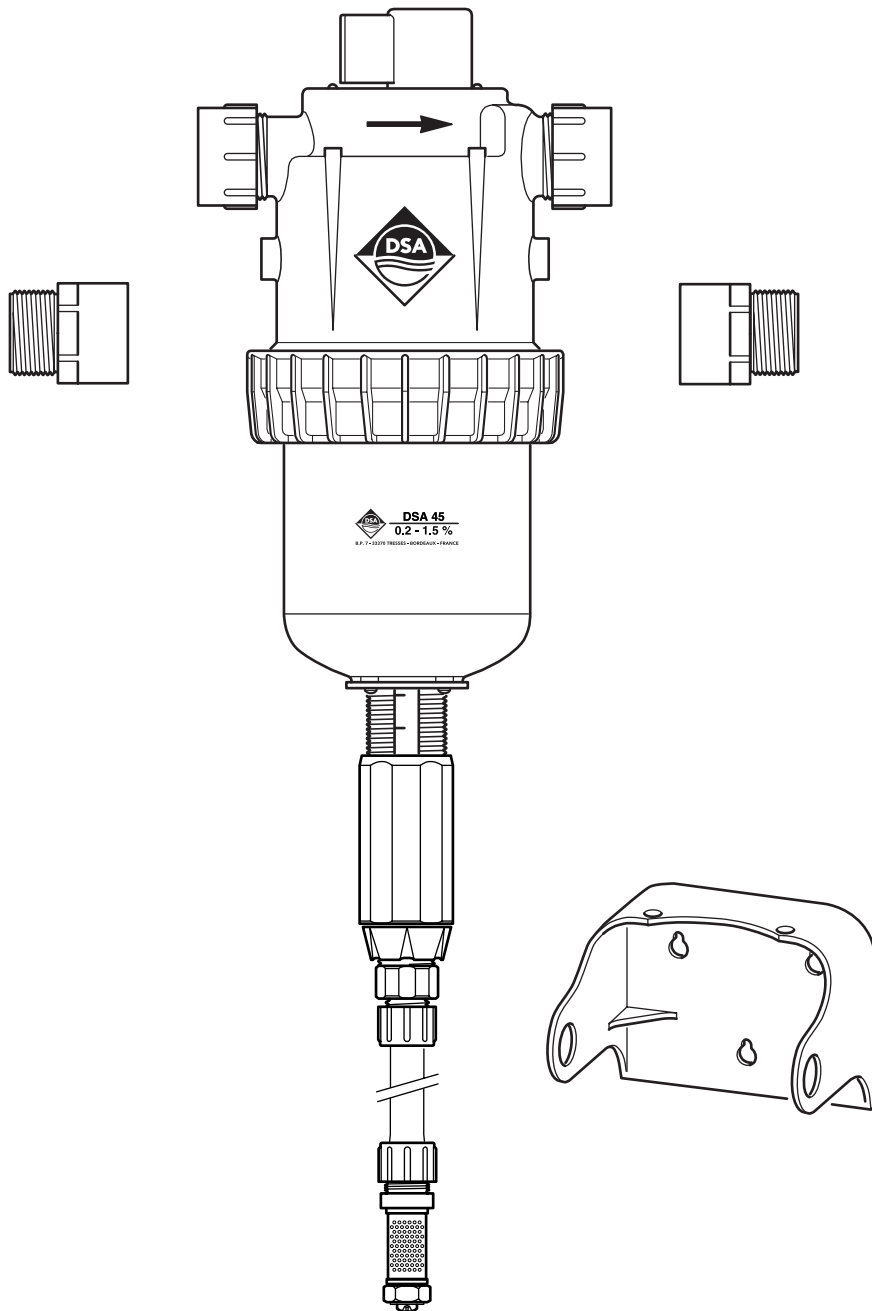
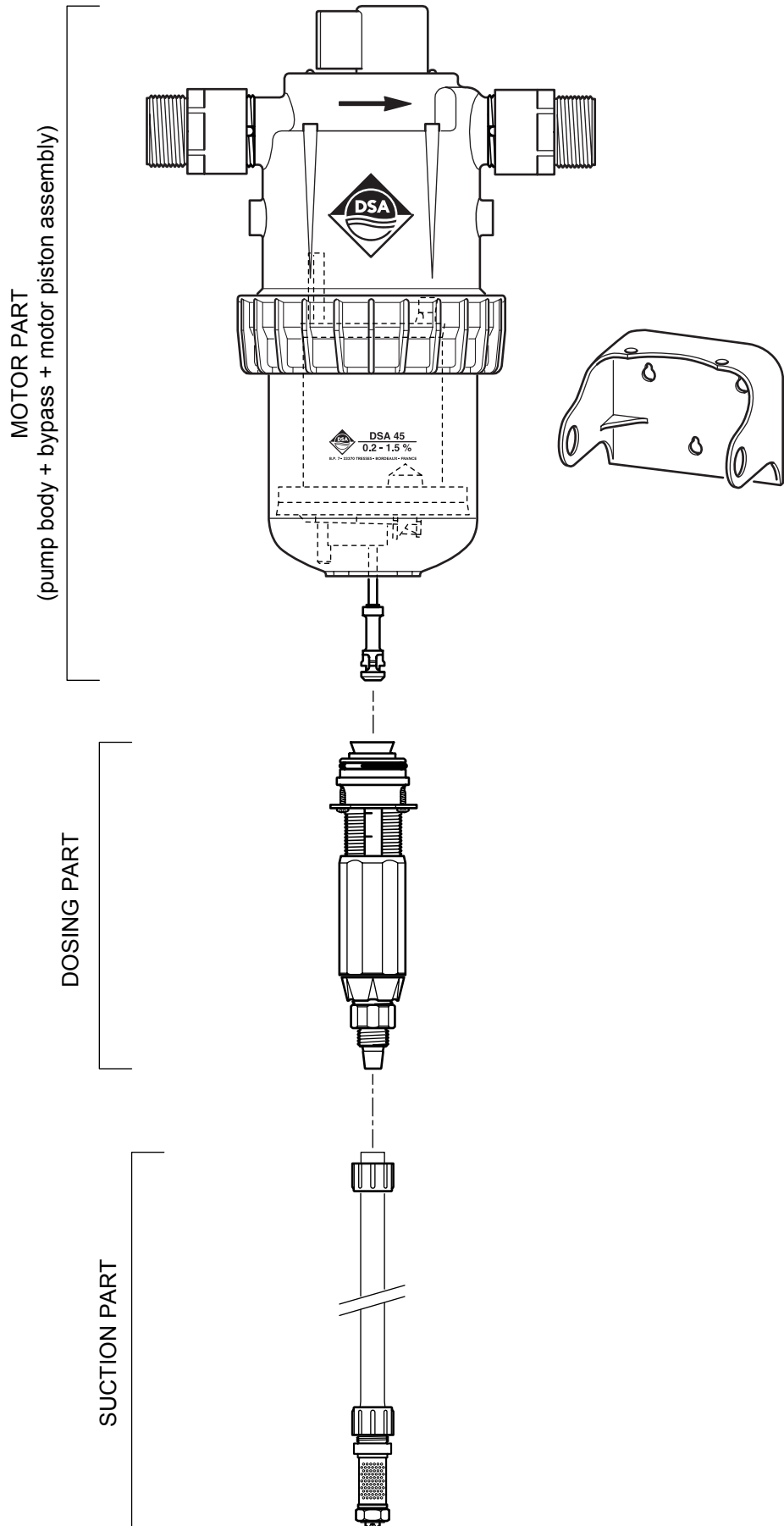


DSA 45-20GPM-1.5

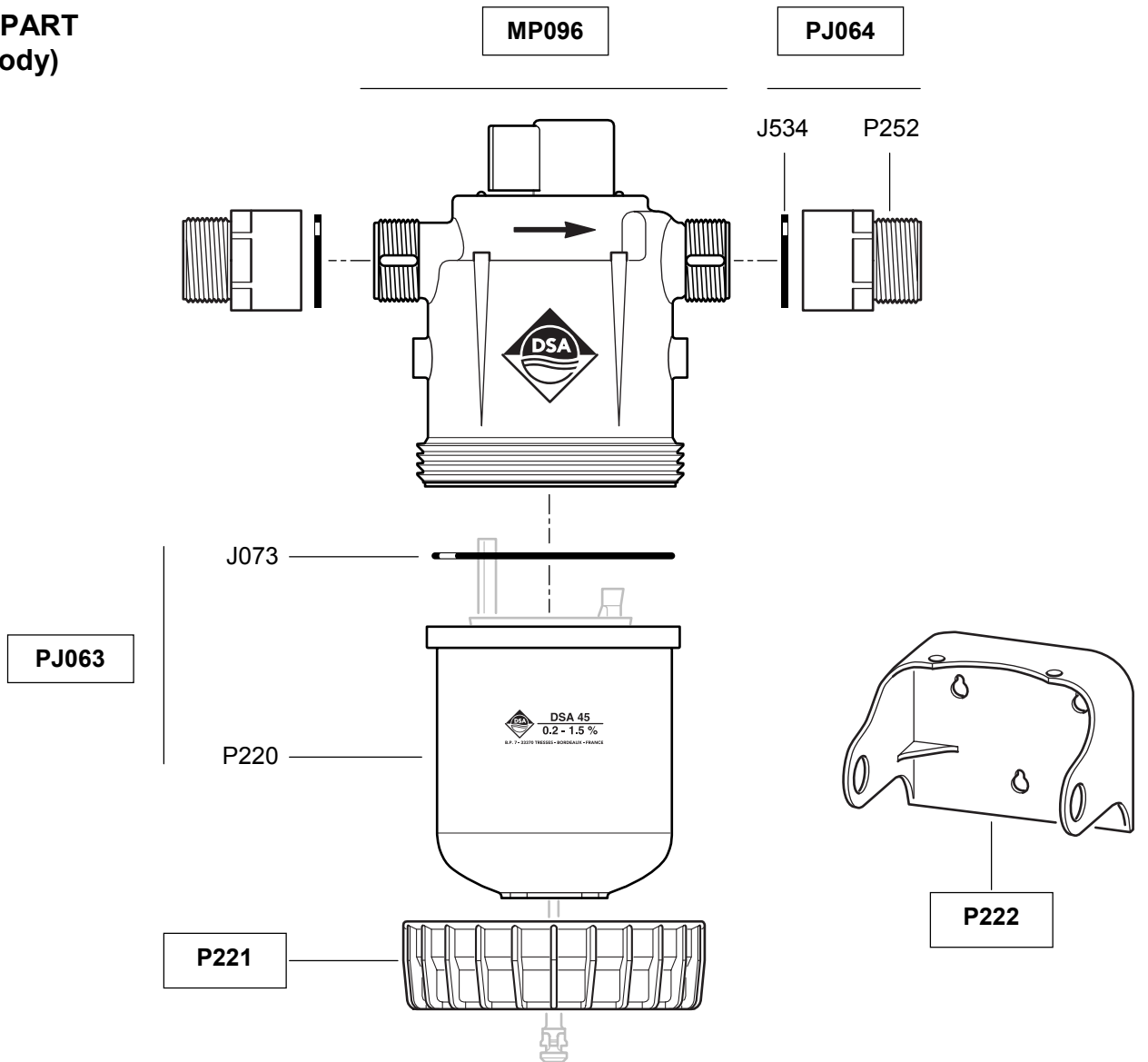


This document does not form a contractual engagement and is for information only.
DSA reserves the right to change its products at any time.

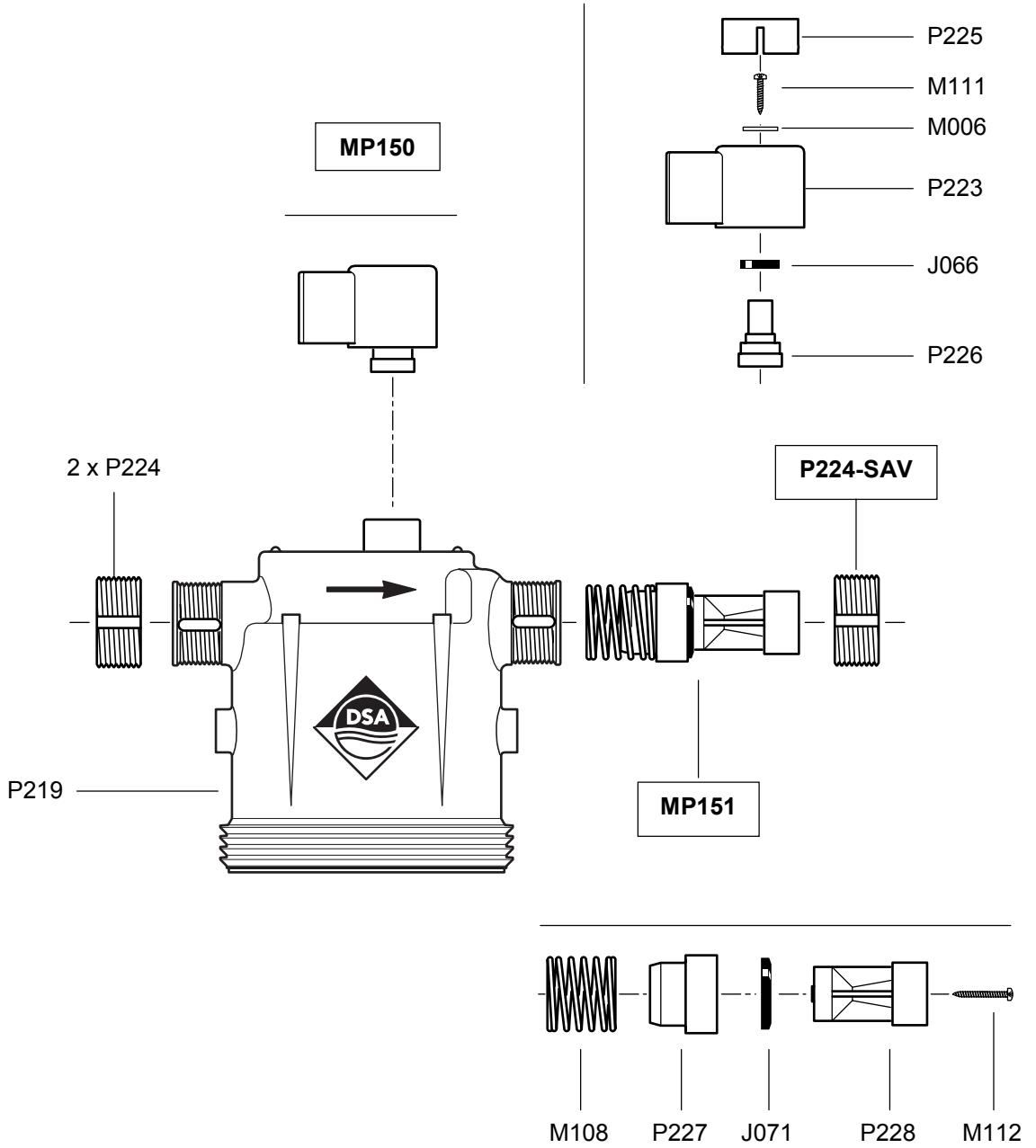
COMPOSITION OF THE DISPENSER



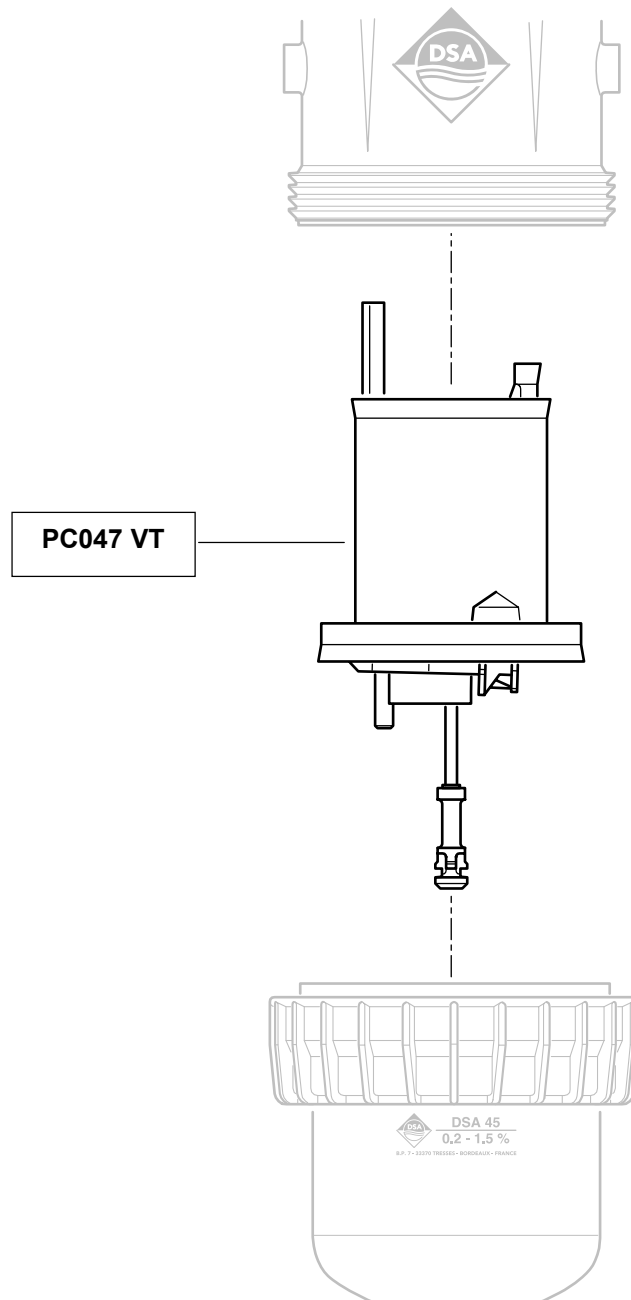
**MOTOR PART
(pump body)**



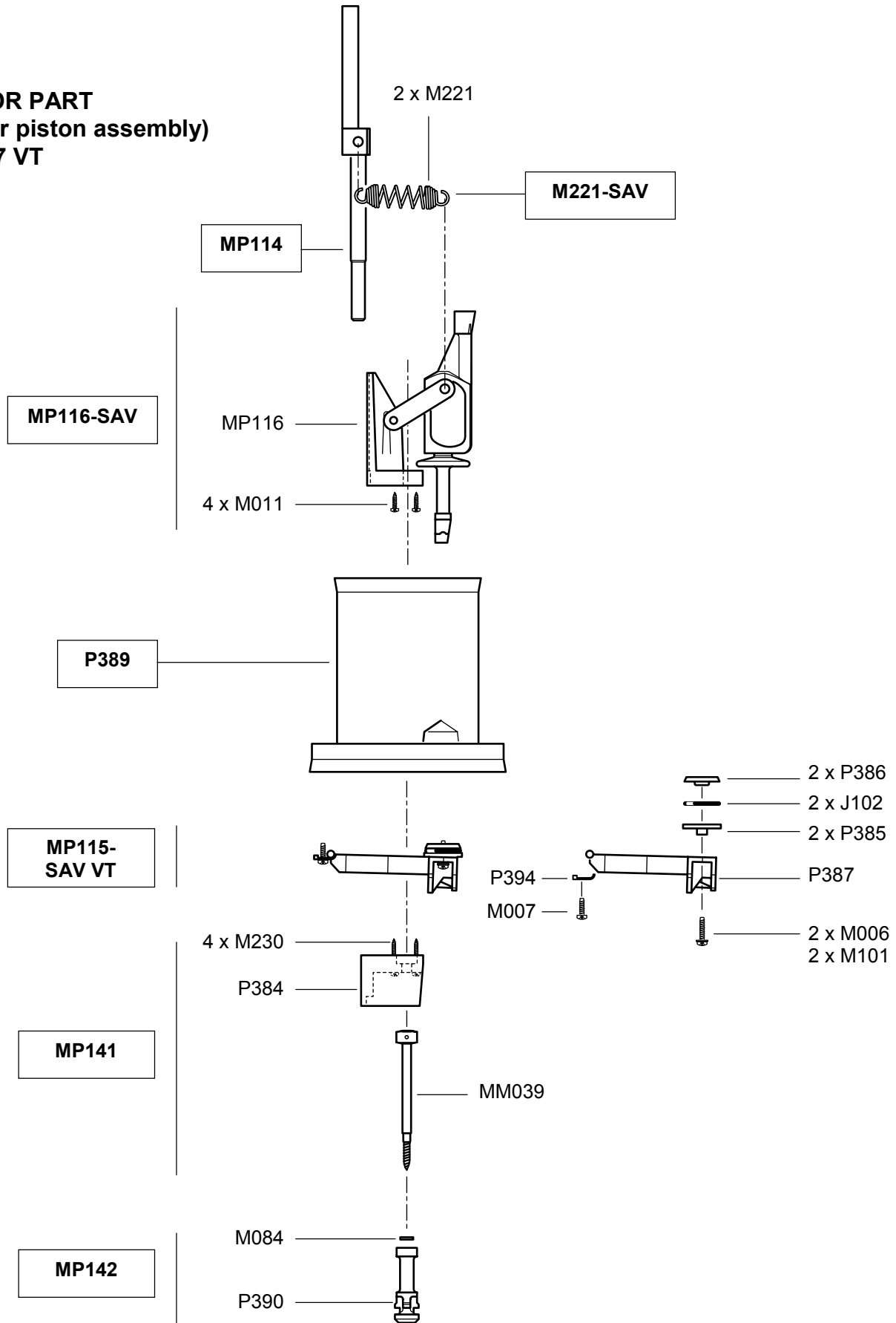
**MOTOR PART
(pump body)
MP096**



**MOTOR PART
(motor piston assembly)**

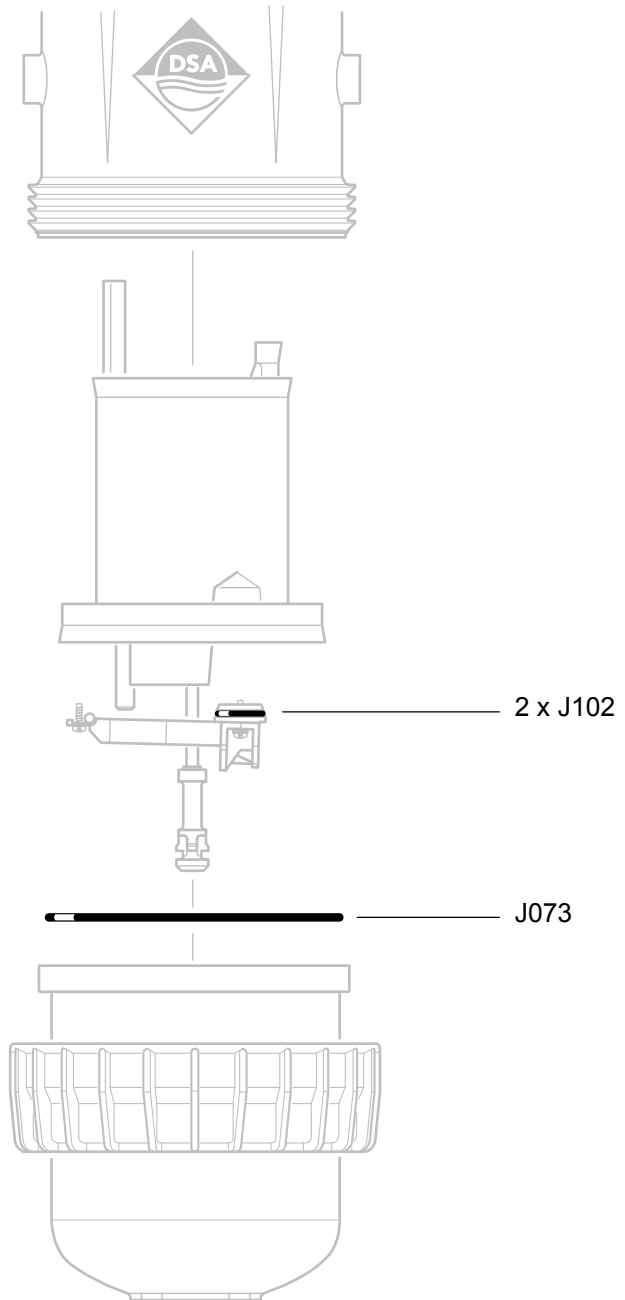


**MOTOR PART
(motor piston assembly)
PC047 VT**



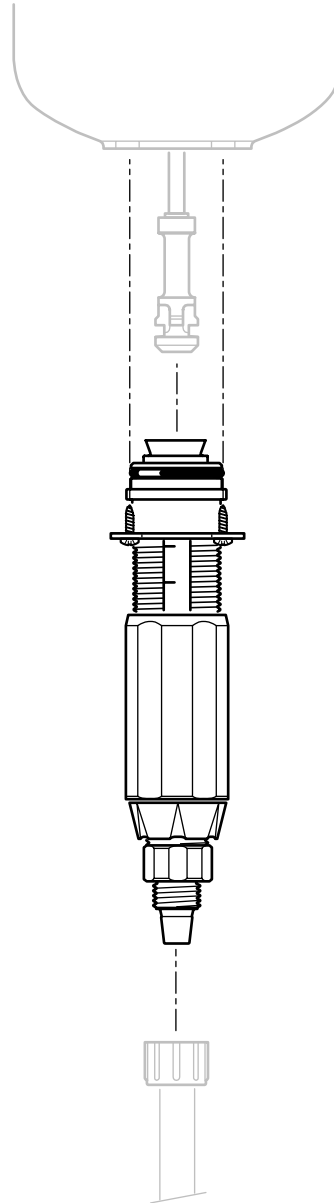
**MOTOR PART
(motor)
Seal set**

EM003 VT

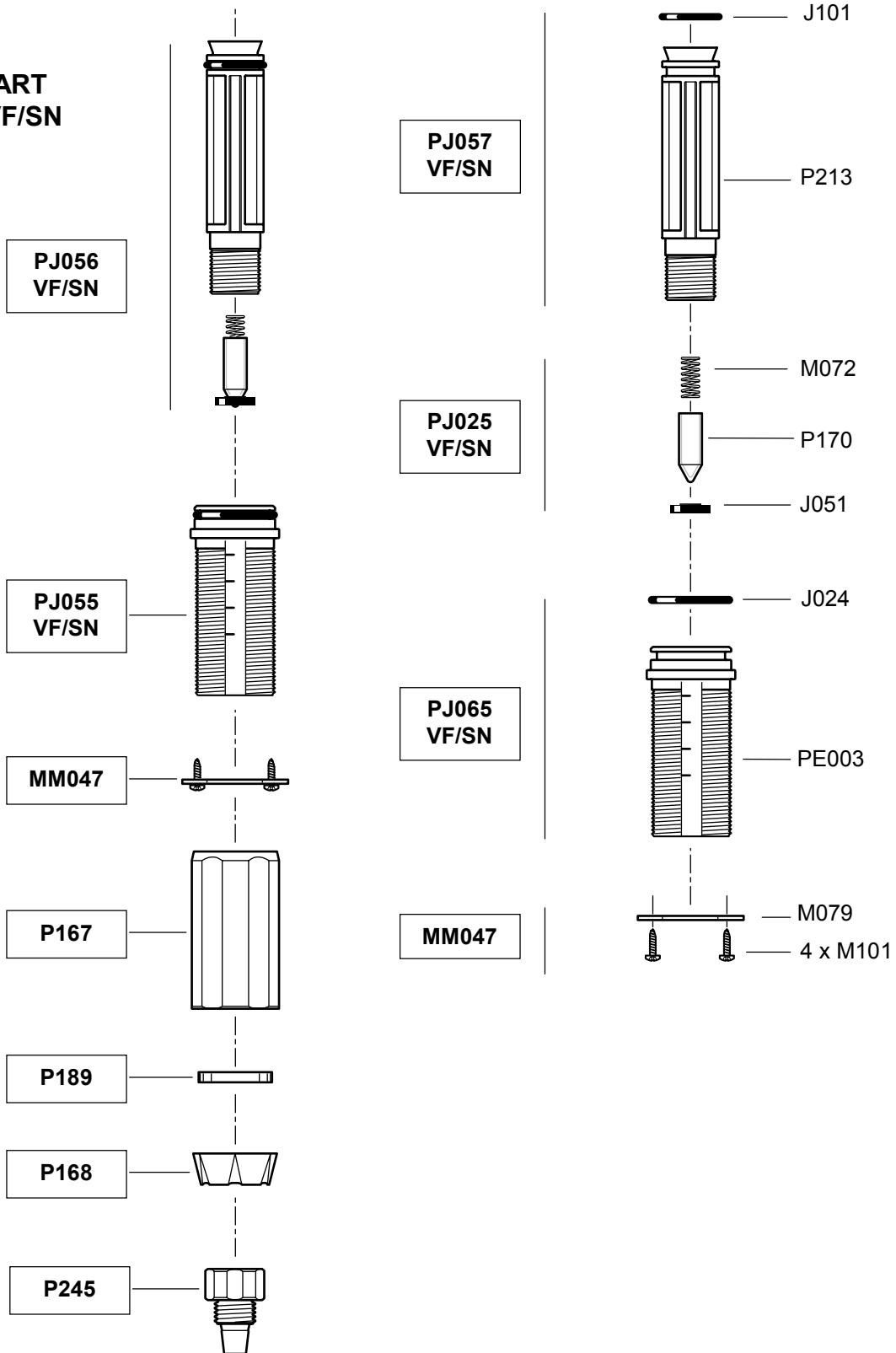


DOSING PART

**DC45-1.5
VF/SN**

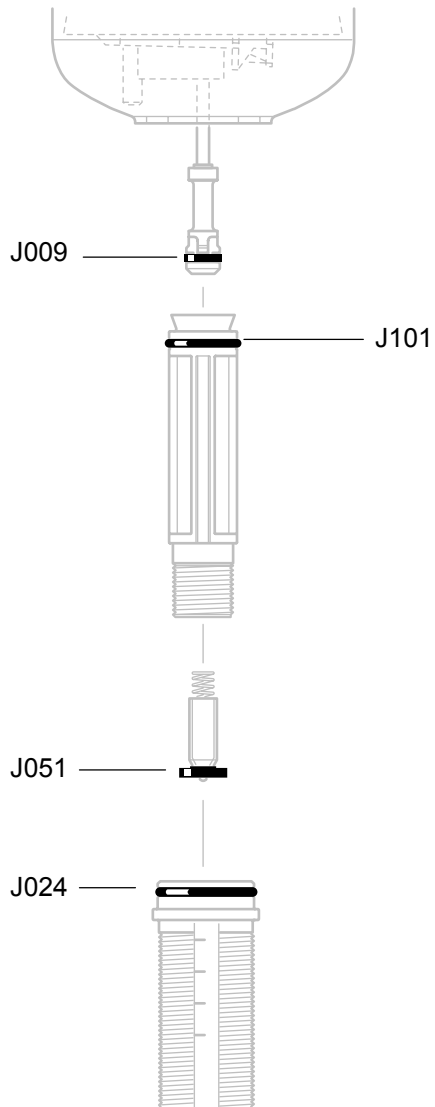


**DOSING PART
DC45-1.5 VF/SN**

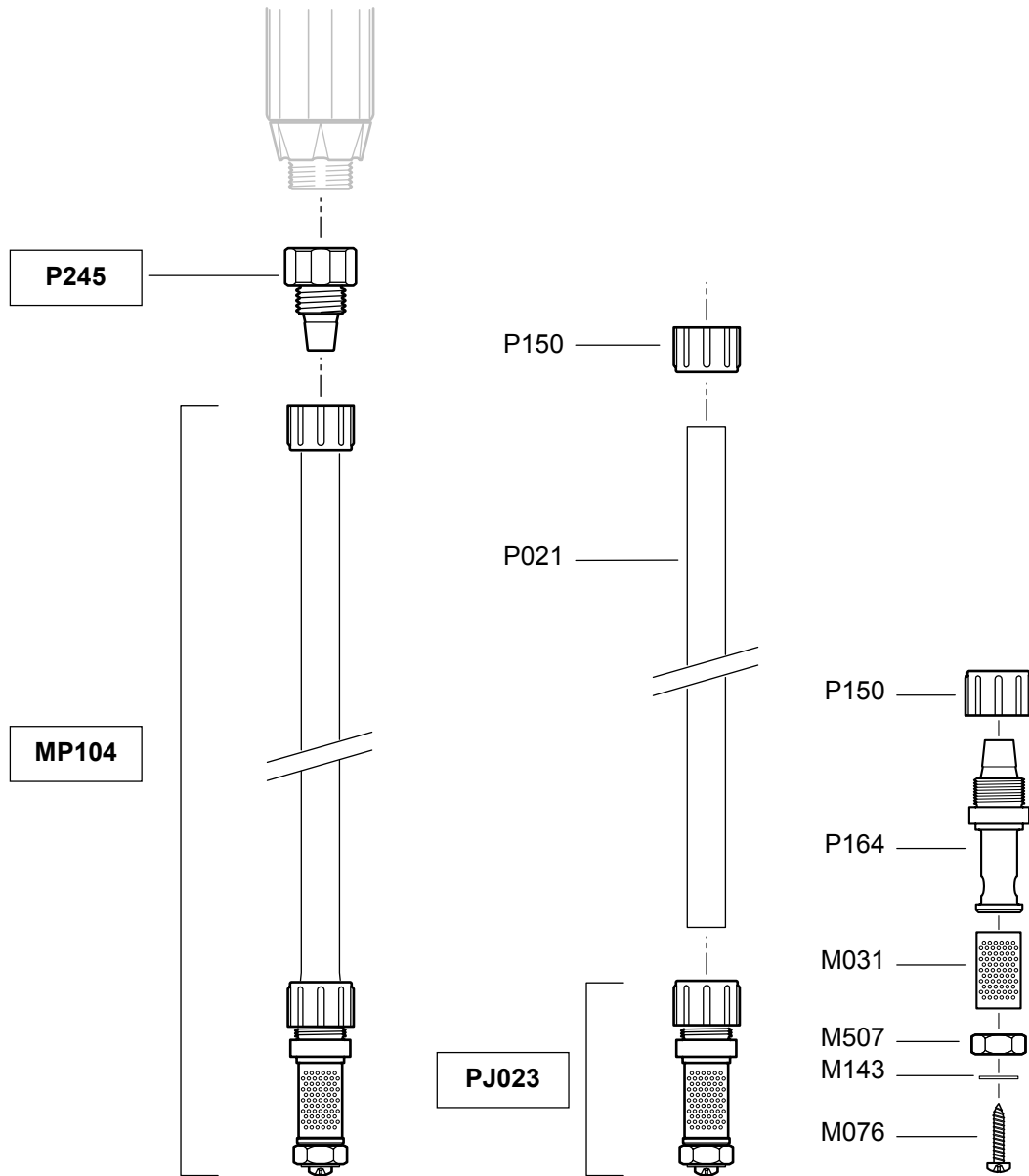


DOSING PART
Seal set

ED026
VF/SN



SUCTION PART



DSA 45-20GPM-1.5 PARTS LIST

PART #	PART DESCRIPTION
DC45-1.5SN	DOSING ASSEMBLY DSA45-1.5
ED026SN	DOSING SEAL KIT DSA45-1.5
EM003VT	MOTOR SEAL KIT 20GPM
J009SN	PISTON PLUNGER SEAL
J024SN	PLUNGER SEAL
J051SN	CHECK VALVE SEAL
J101	DOSER BODY O-RING
J534	ADAPTER SEAL DSA45
M006	WASHER
M007	SCREW
M011	SCREW
M031	STRAINER
M072	CHECK VALVE SPRING
M084	WASHER
M101	INJECTION STEM RETAINING SCREW
M221	ACTUATOR SPRINGS DSA45
MM047	METAL FLANGE DSA45
MP096	UPPER PUMP BODY DSA45
MP104	12MM SUCTION ASSEMBLY D200/D400
MP114	PUSH ROD ASSEMBLY DSA45
MP115VT	WISHBONE ASSEMBLY DSA45
MP116	ACTUATOR ASSEMBLY DSA45
MP141	PLUNGER ROD AND SUPPORT ASSEMBLY
MP142	PLUNGER ASSEMBLY DSA45
MP150	BY-PASS ASSEMBLY DSA45
MP151	BY-PASS CUP ASSEMBLY DSA45
P150	1/2" NUT
P167	OUTER ADJUSTING SLEEVE
P168	LOWER LOCKING NUT
P170	CHECK VALVE CONE
P189	ANTI FRICTION WASHER
P213	DOSER BODY D200RE
P221	PUMP ASSEMBLY NUT DSA45
P222	BRACKET DSA45
P224	2 THREADED ADAPTER RINGS DSA45
P245	LOWER VALVE CONNECTION DSA45
P252	CONNECTOR 1 1/4" TO 1"
P389	PISTON SHELL DSA45
PC047VT	PISTON ASSEMBLY DSA45-1.5
PJ023	STRAINER ASSEMBLY
PJ025SN	SUCTION VALVE ASSEMBLY
PJ055SN	FIX SLEEVE DSA45
PJ056SN	DOSER BODY/SUCTION VALVE ASSEMBLY DSA45
PJ057SN	DOSER BODY/SEAL DSA45
PJ063	LOWER PUMP BODY DSA45
PJ064	ADAPTER ASSEMBLY
PJ065SN	SLEEVE W/O-RING