

IMPORTANT! Read this information before proceeding. It is the user's responsibility to take the following precautions at all times.

- Always stake or weigh down your E-Z UP® shelter. Do not use in any potentially windy or rainy weather. Wind and rain can damage your E-Z UP® shelter and may also result in injury to you or others. Therefore, do not rely on shelter for protection in heavy or prolonged rain storms.
- The E-Z UP® shelter is designed as a temporary sun shelter. Do not leave up for extended periods.
- Use caution when handling the E-Z UP® frame. Avoid pinching hands or fingers as frame opens or closes.
- Do not use shelter in a lightning storm.
- Do not leave your E-Z UP® Instant Shelter® product unattended.
- Do not build fires under shelter.

WARNING: KEEP ALL FLAME AND HEAT SOURCES AWAY FROM THE TOP, AWNING AND SIDEWALL FABRICS. These fabrics meet the flammability requirements of CPAI-84. The fabric may burn if left in continuous contact with any flame source. The application of any foreign substance to the fabric may render the flame-resistant properties ineffective.

CARE AND MAINTENANCE

For long lasting durability and the best possible protection for your E-Z UP® Instant Shelter® product, follow these E-Z care and maintenance instructions:

- Use a mild soap (not detergent) and plenty of water for top cleaning.
- Let the E-Z UP® top and frame dry completely before closing or storing to avoid mildew.
- Frame will operate and look better if occasionally wiped with silicone spray, especially before and after use in damp conditions. Remove excess silicone residue before attaching top.
- Use a seam sealer if top leaks or drips water. Available at most sporting goods and hardware stores.
- Slightly tighten bolts if frame becomes loose.



2 YEAR LIMITED WARRANTY

INTERNATIONAL E-Z UP, INC., manufacturer of the E-Z UP® Instant Shelter® product, warrants to the original purchaser who provides a dated sales receipt from an Authorized Dealer, each part of the E-Z UP® shelter to be free from defects in material or workmanship for a period of two years after the date of original purchase. The E-Z UP® Instant Shelter® frame is covered under a limited two year warranty and guarantees the frame to be free from defects in material or workmanship. This warranty applies only for normal and expected uses, as determined by the manufacturer.

INTERNATIONAL E-Z UP, INC.'s obligation and liability under this warranty is limited to the repair or replacement (at its option) of the product or its parts, after its own review and examination.

RETURN ADVISORY - Before returning any part or product to INTERNATIONAL E-Z UP, INC. or its designated representative, please phone or write to obtain specific return shipping instructions. All shipping costs must be prepaid, and INTERNATIONAL E-Z UP, INC. is not responsible for products damaged in transit.

CONDITIONS - This warranty shall be void as to any product which has been altered or modified in any manner. This warranty does not apply to damages caused by wind, rain, or other forces of nature, not to accidental or deliberate damage of the product, nor to use of the product that does not conform with the product instructions.

This warranty is provided in lieu of all other warranties, expressed or implied.

We Make Life E-Z!™

E-Z UP® INSTANT SHELTER® PRODUCT



"Sets Up in Seconds!"

**10ft x 10ft
(3.0m x 3.0m)**

Take time to learn how to provide years of durable and safe use from your E-Z UP® Instant Shelter® product. After reading these instructions carefully, if you have any need of assistance, call our Customer Service Department.



OWNER'S MANUAL

WHAT'S IN THE BOX

- E-Z UP® Instant Shelter® frame
- Commercial Grade Top
- 4 Piece Stake Kit

- See other instructions in Warranty Kit
- 4 Zippered *Dura Lon*® Sidewalls
 - Awning Fabric
 - 2 Awning Poles
 - Roller Bag
 - Name Banner Fabric

FIRST TIME TOP ATTACHMENT

Please read each step before you attempt to set up.
Save these instructions for future reference.



1. Place your E-Z UP® frame in the center of area to be sheltered. With partner on opposite side, grasp two outer legs, slightly lift off ground and step backwards, stopping at full arms' length approximately 3/4 its total size.



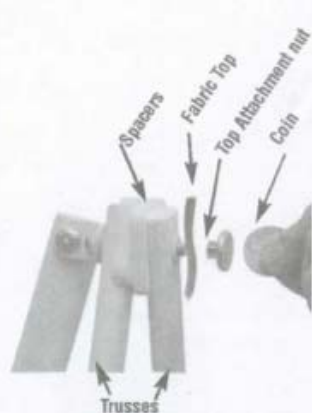
2. Gently unfold the fabric top and place it over the open frame.



3. Attach the fabric top to the E-Z UP® frame by matching hook & loop strips on the top with the hook & loop strips on the frame. Pull the corners down fully.



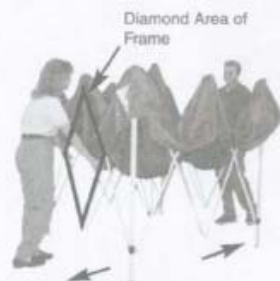
4. To secure the top to frame, line up grommet holes on fabric top with the bolts on frame.



5. Unscrew top attachment nut from bolt on frame. Place top fabric with grommets over each bolt, screw on top attachment nut and tighten until snug. Fabric top should rotate easily - do not over-tighten. Repeat this procedure on the remaining grommets.

How To SET UP

First: Repeat Step 1, in 'First Time Top Attachment'



1. Grasp the bottom of the diamond shaped area of trusses on opposite sides by the "open" sticker. Lift up and step backwards until shelter is fully opened, being careful not to pinch fingers.



2. Pull the fabric top corners away from the frame as shown. Engage Pull Pin slider at each corner by pushing up on trusses with one hand while holding down on top of leg with other hand until Pull Pin slider engages. Pull down fabric top corner and repeat on other legs.



3. Lift two adjacent outer legs up and slide out the inner legs until the snap button locks. Repeat on the opposite legs - make sure to do two legs at a time on same side.

How To TAKE DOWN



1. With partner, slightly lift up two adjacent outer legs 1", depress snap button and slide inner legs into outer legs. Repeat on the opposite legs - making sure to do two legs at a time on same side.



Pull Pin

2. Release the Pull Pin slider at each corner by first lifting fabric top corner and pull the pin out to release.



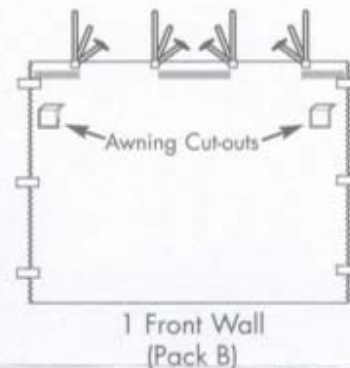
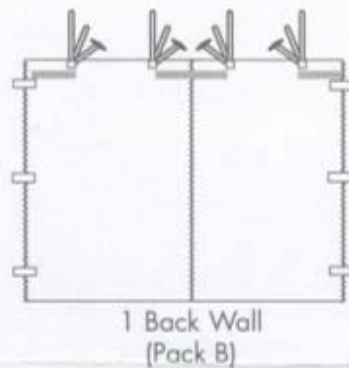
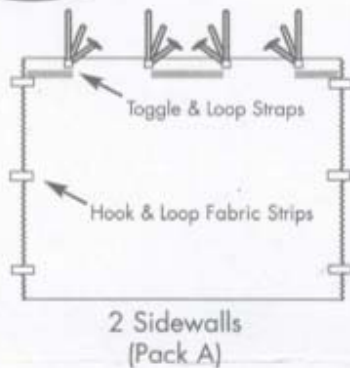
3. Grasp the top diamond on opposite sides by "close" sticker. Lift the shelter up slightly and shake it while stepping towards your partner until the unit is 3/4 closed. With partner grasp two outer legs and push frame together to fully close it.

Be careful not to pinch fingers. Store shelter in roller bag. (See Roller Bag Instruction Enclosed within your Warranty Kit).



E-Z UP® INSTANT SHELTER® DURA LON® SIDEWALL INSTRUCTIONS

Sidewall Accessories Meet CPAI-84 Fire Requirements



Note: The long toggle & loop straps are for the roll-up feature on each wall.

The short toggle & loop straps are for attaching the sidewall to the frame trusses.

Step 1: SIDEWALLS

Locate the 2 sidewalls and place them on opposing sides of the shelter; these sidewalls will serve as the sides of the shelter.

Step 2: ATTACHING SIDEWALLS

Attach each sidewall to the fabric top by securing the hook & loop fabric strips on the wall and shelter top - start with the middle strip first. If you are going to use the 2 sidewalls zip up the next wall before securing the second wall. Attach the middle strips first then secure the outer strips, repeat until finished.

Note: The top of the sidewall tucks in between the shelter frame and the shelter's top.

Step 3: ATTACHING BACK WALL

Locate the back wall with the middle-zipper which can be used as a back door. To attach, make sure that the two halves of the back wall are zipped together, then follow Step 2 above.

Step 4: ATTACHING FRONT WALL

If the awning fabric is attached, simply remove awning fabric first.

Locate the Front Wall with the awning cut-outs located at the top corners. Lift the awning cut-out flap over the awning poles and slide the front wall towards the frame. Then follow Step 2 opposite.



Reattach Awning Fabric when complete.

Step 5: ENCLOSING THE SHELTER

To fully or partially enclose your E-Z UP® shelter, zip the sidewalls together at each corner of the frame.

Step 6: SIDEWALL ROLL-UP FEATURE

To use the roll-up feature, unzip the sidewall at each corner. Have one person stand at each end of the sidewall and roll the sidewall up. Once the sidewall has been rolled to the top, secure it by using the long toggle & loop strap. Wrap the toggle & loop strap around the sidewall, over the frame truss, and then hook onto the toggle end.

Step 7: RELEASING THE ROLLED-UP SIDEWALLS

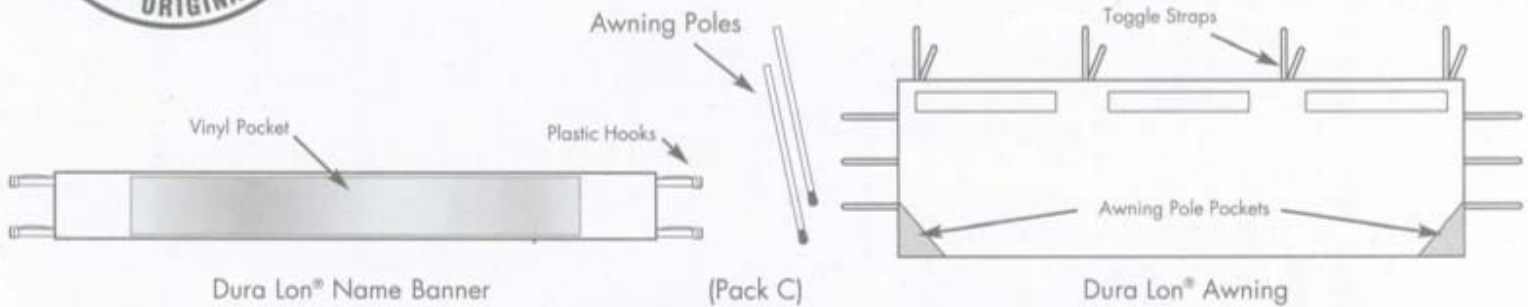
To drop down the rolled-up sidewalls, release the toggle & loop straps and let the sidewall unroll and drop to the ground.



Important: When enclosing your shelter by zipping up all 4 sidewalls, it is strongly recommended the shelter be weighted down or secured using E-Z UP® Heavy Duty Stakes to avoid wind damage.



E-Z UP® INSTANT SHELTER® NAME BANNER & AWNING INSTRUCTIONS



HOW TO SET UP YOUR E-Z UP® NAME BANNER ACCESSORY

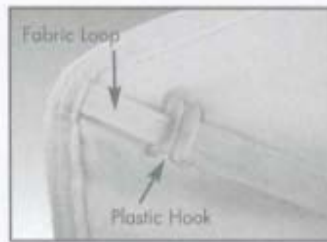
What's provided:

1 x Dura Lon® Name Banner

ATTACHING NAME BANNER

Step 1:

The Name Banner is attached to your shelter top. Locate the four fabric loops that are sewn into the corners of the shelter top. Then locate the four plastic hooks on the Name Banner and insert them into the fabric loops. Be sure to orientate the Name Banner so that the vinyl pocket is facing outward.



Step 2:

*Simply slide your own signage into vinyl pocket.

*Signage is not included.
Recommended size: 68" x 7.75"



HOW TO SET UP YOUR E-Z UP® AWNING ACCESSORY

What's provided:

1 x Dura Lon® Awning
2 x Awning poles

ATTACHING AWNING POLES

Step 1:

Locate the awning pole holes in your E-Z UP® frame legs. Simply push each awning pole into the frame leg.



ATTACH AWNING FABRIC

Step 2:

Insert the end of the awning poles into pocket in the fabric corner on both sides. Wrap the hook and loop fabric strips around the poles.



Step 3:

Secure the awning by either wrapping the toggle straps around the legs and around the trusses under the top OR attach the hook and loop strips on the awning to the strips sewn on the top.



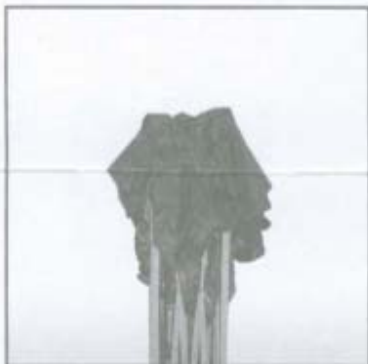
WARNING: Keep all flame and heat sources away from the top, awning and sidewall fabrics. These fabrics meet the flammability requirements of CPAI-84. The fabric may burn if left in continuous contact with any flame source. The application of any foreign substance to the fabric may render the flame-resistant properties ineffective.

Note: When taking down your E-Z UP® shelter be sure to remove the Awning and Name Banner before closing the shelter. We recommend that all accessories be removed should heavy winds or rain threaten.



E-Z UP® INSTANT SHELTER® ROLLER BAG INSTRUCTIONS

HOW TO USE YOUR HANDY E-Z UP® ROLLER BAG



1. Close your E-Z UP® shelter completely as shown in the picture.

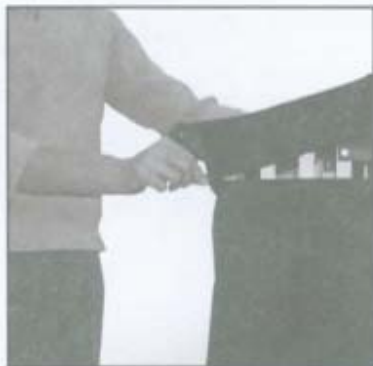


3. Turn E-Z UP® shelter upside-down by carefully placing it on its side. With knees bent place hands underneath the shelter, lift and walk forward until it is upright.

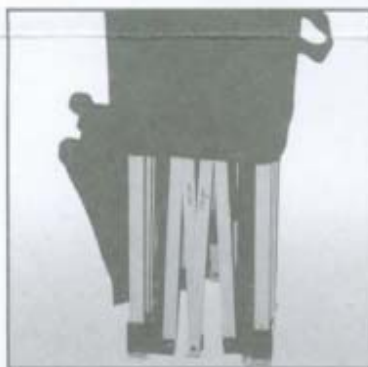
Note: Make sure to bend your knees slightly so back strain does not occur.



2. Open the roller bag by unzipping the end by the wheels. Place open end of roller bag over the top of the E-Z UP® shelter and slide roller bag down until the shelter is completely covered.



4. Zip roller bag closed.



5. Roller bag is designed to be pulled by the handle.





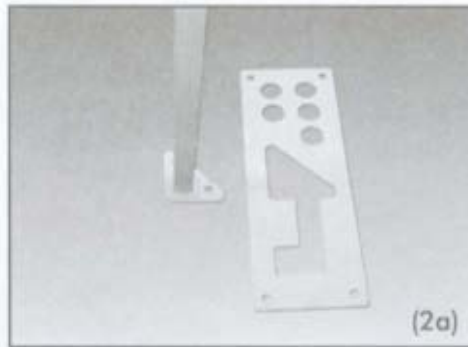
INSTRUCTIONS FOR E-Z UP® ANCHOR PLATE*

Step 1. Completely set up your E-Z UP® Instant Shelter® product in the area that you intend to shade according to the owner's manual instructions.

Step 2.

(2a) Line up the triangle portion of the E-Z UP® Anchor Plate with the foot at the base of the leg.

(2b) Lift the leg up and pull the E-Z UP® Anchor Plate above the foot.

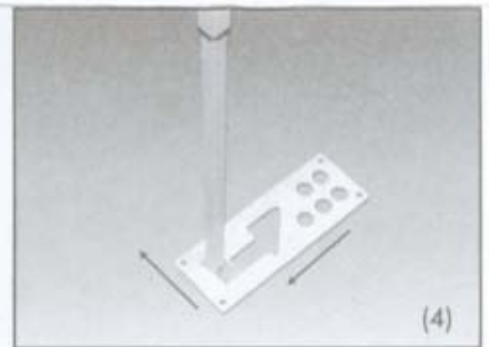
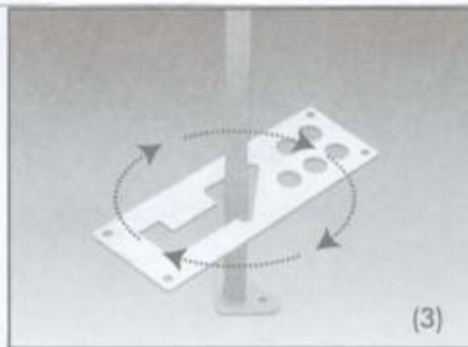


Step 3.

During this step, position the E-Z UP® Anchor Plate in any of 4 directions.

Step 4.

Move the E-Z UP® Anchor Plate down the channel, then slide over to the end to secure.



Step 5. Place any heavy object on the plate to weigh down your shelter.

NOTE: 30-40 lb. recommended minimum.



E-Z UP® Anchor Plates
(Set of 4 shown)



Storage Pouch: Conveniently store your E-Z UP® Anchor Plates in the Roller-Bag.

Important Information:

*PATENT PENDING

- The Anchor Plate is not a weight and should not be confused as a substitute for anything other than a device to allow additional weight to be added as described above.
- Always stake or weigh down your shelter. Do not use in any potentially windy or rainy weather. Wind and rain can damage the E-Z UP® Instant Shelter® product and may also result in injury to you or others. Therefore, do not rely on shelter for protection in heavy or prolonged rain storms.
- The E-Z UP® Instant Shelter® product is designed as a temporary shelter. Do not leave up for extended periods.
- Do not leave your E-Z UP® Instant Shelter® product unattended.