

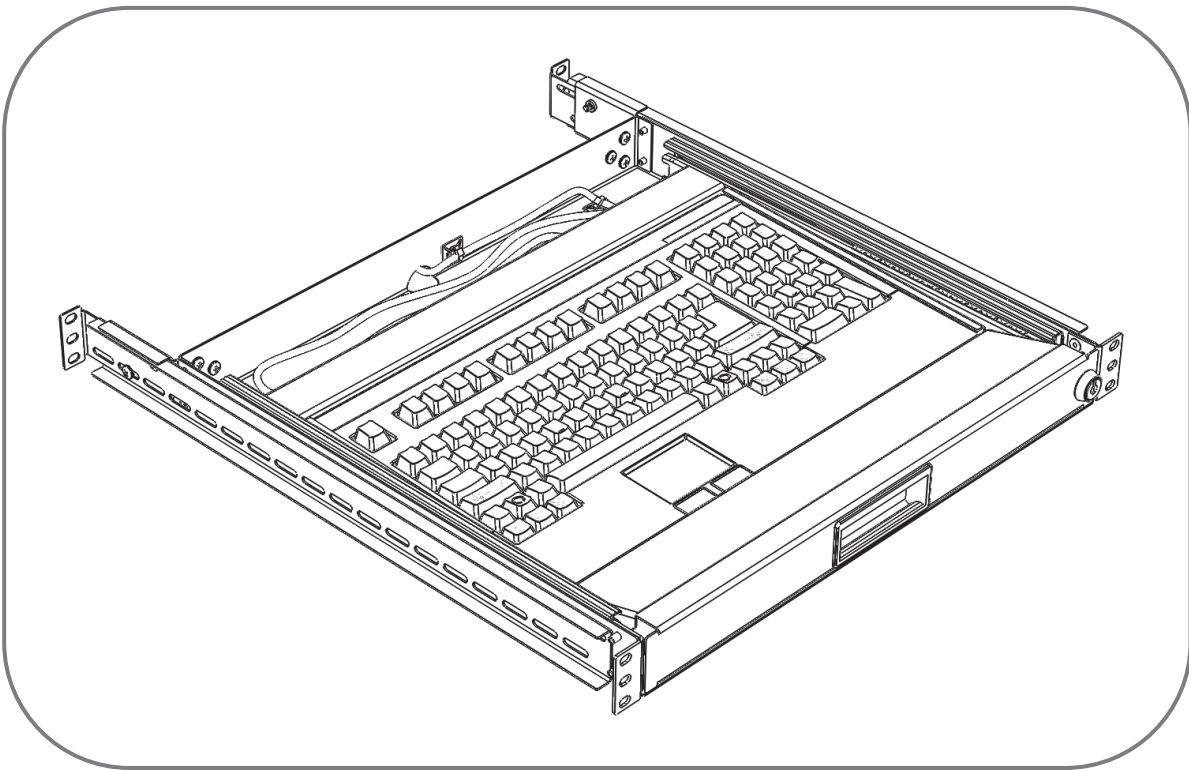
## Rackmount Keyboard Tray

### Part Number(s):

**1910-3-002-01 (2-Post Rackmount Keyboard Tray)**

**1910-3-003-01 (4-Post Rackmount Keyboard Tray)**

**1910-3-004-01 (Rackmount Keyboard Tray Extension Kit)**



Address: 10152 Liberty Lane  
Chisago City, Minnesota, 55013  
United States of America

Phone: 651-213-1333

Fax: 800-418-6897

**[www.kendallhoward.com](http://www.kendallhoward.com)**

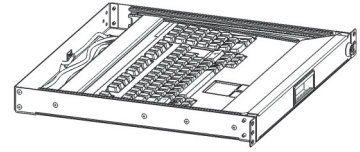
## What is in the box:

Which version did you purchase?

### 2-Post Rackmount Keyboard Tray

(Part Number: 1910-3-002-01)

QTY 1  
2-Post Rackmount  
Keyboard Tray Assembly



### 4-Post Rackmount Keyboard Tray

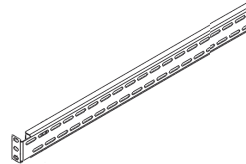
(Part Number: 1910-3-003-01)



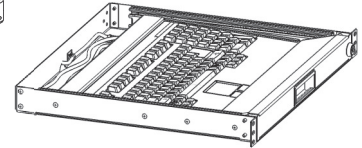
QTY 10  
10-32 Cross  
Head Screws



QTY 2  
Extension  
L Brackets



QTY 2  
Extension Rails



QTY 1  
2-Post Rackmount  
Keyboard Tray Assembly

### Rackmount Keyboard Tray Extension Kit

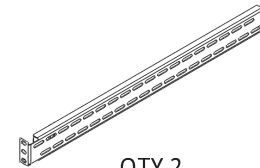
(Part Number: 1910-3-004-01)



QTY 10  
10-32 Cross  
Head Screws



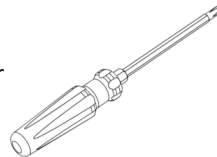
QTY 2  
Extension  
L Brackets



QTY 2  
Extension Rails

## Tools Needed:

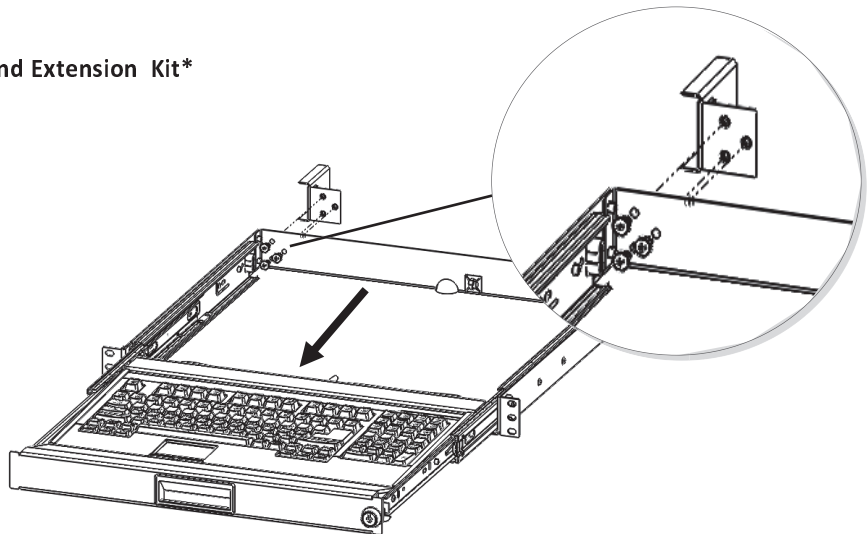
Screw Driver



## Step 1 - Attaching the 4-Post Extension L Brackets

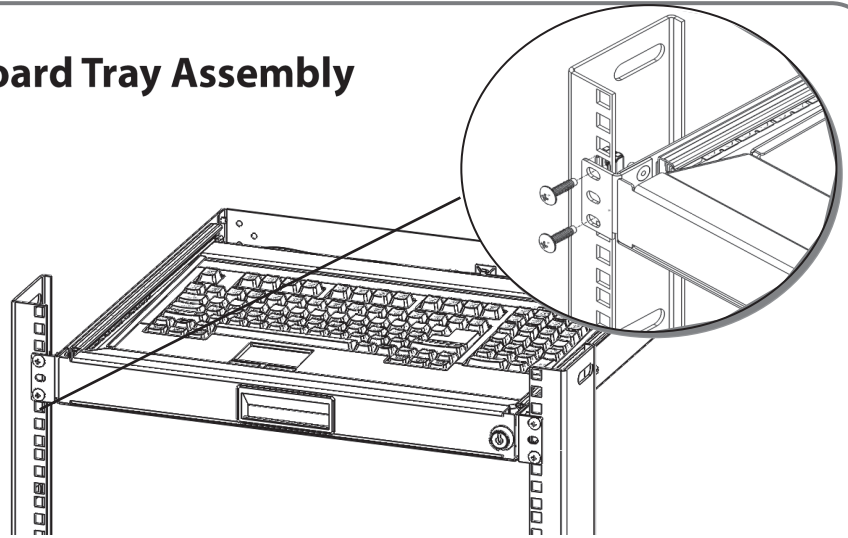
\*Only for 4-Post Rackmount Keyboard Tray and Extension Kit\*

- Pull the keyboard forward to provide more room in the back of the tray.
- Using the included 10-32 Cross Head Screws, secure the Extension L Bracket to the rear of the keyboard tray as shown.
- Repeat on the other side.



## Step 2 - Mounting the Keyboard Tray Assembly

- a) Using rack screws (not included) mount the Keyboard Tray on to your front rack rails as shown
- b) For the 2-Post Keyboard Tray this completes the assembly.
- c) For the 4-Post Keyboard Tray and the Extension Kit please continue to Step 3.

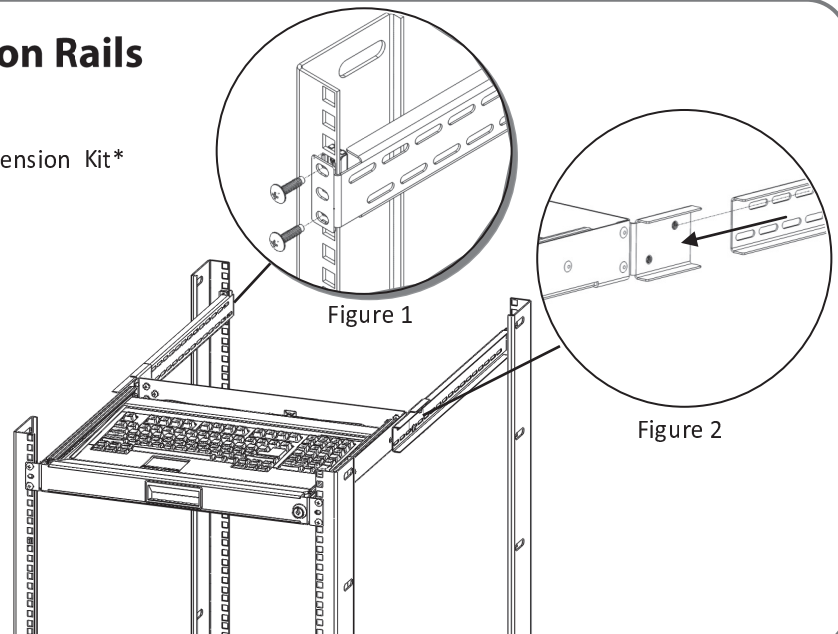


\*compatible with both cage nut and tapped style rails

## Step 3 - Installing the Extension Rails to the Rear Rails

\*Only for 4-Post Rackmount Keyboard Tray and Extension Kit\*

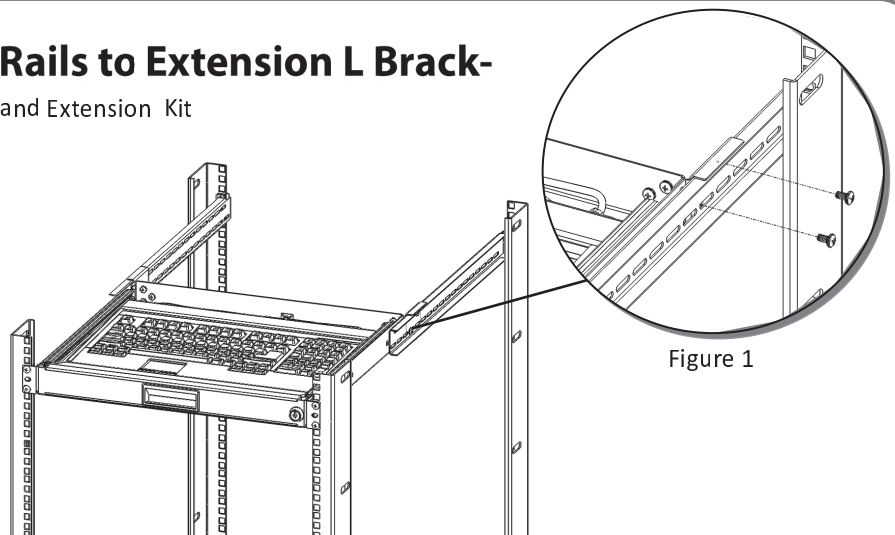
- a) Attach the Extension Rails to the rear rack rails using rack screws show in Figure 1.(not included)
- b) Please note the Extension Rails will slide inside the Extension L Brackets as shown in Figure 2.



## Step 4 - Secure Extension Rails to Extension L Brack-

\*Only for 4-Post Rackmount Keyboard Tray and Extension Kit

- a) Secure the Extension Rails to the Extension L Brackets (Figure 1) using the 10-32 Cross Head Screws provided.





For details about product warranty, please visit [www.kendallhoward.com](http://www.kendallhoward.com)

**DISCLAIMER:** Kendall Howard LLC. endeavors to make this manual accurate and complete. However, Kendall Howard LLC makes no representations or warranties of any kind, expressed or implied, about whether the use of products contained herein would infringe any rights or the correctness, accuracy or reliability of the information contained herein or that said information covers all details, conditions or variations. The information herein does not provide for every possible contingency in connection with the installation or use of the product(s). The information contained in this document is subject to change without notice or obligation. Kendall Howard LLC assumes no responsibility for the accuracy, completeness or reliability of the information contained in this document. Any reliance placed on the information is therefore strictly at your own risk.