

ER-SS1U

Rack Mounted Sliding Shelf – 1 Space

Product Features:

Closes flush when not in use

Shelf "locks" into place when fully closed to prevent drifting

Maximum extension – 13.8"

Tray dimension – 16.3" W x 13.8" D x 1.75" H (1 RU)

Includes 10-32 and 12-24 mounting screws

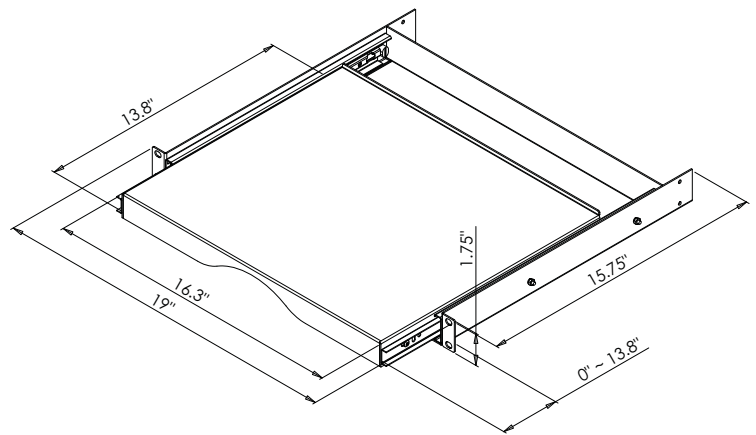
Load capacity – 35 lbs

Black static resistant powder coat finish

Product Specifications:

(for Architects & Engineers)

The sliding shelf for the equipment rack shall be the Video Mount Products (VMP) model number ER-SS1U. The shelf shall be primarily constructed of formed steel. The shelf shall be compatible with standard 19" equipment racks and shall be 1 Rack Unit (1.75") in height. The shelf shall be capable of sliding out 13.8" and slide close flush with the front face of the equipment rack. The load capacity shall be 35 lbs.



Video Mount Products

345 Log Canoe Circle

Stevensville, MD 21666

Toll Free: 877.281.2169

Telephone: 410.643.6390

Facsimile: 410.643.6615

www.videomount.com

