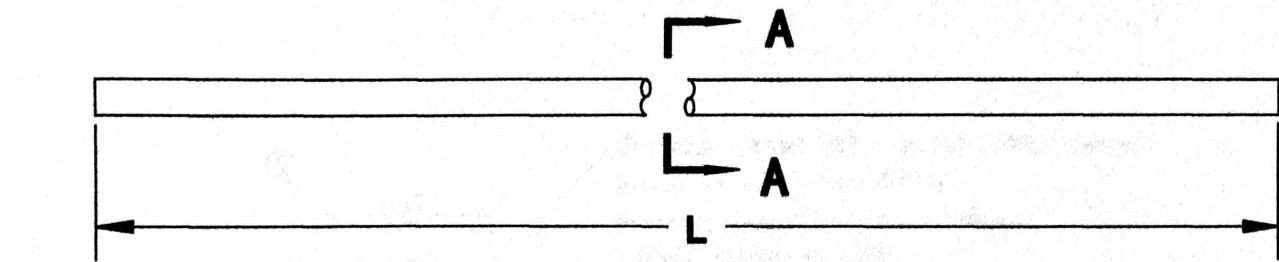
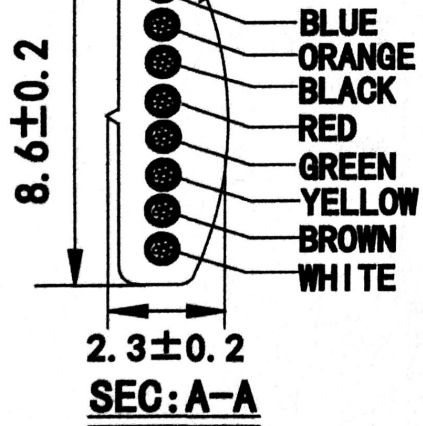


NOTE: ALL MATERIAL COMPLIANT ROHS STANDARD

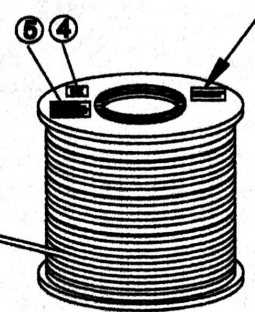
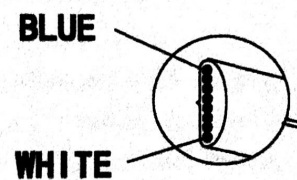
REVISION INFORMATION			
Rev.	Rev. Date	Modified By	Brief Description
A/1	13-11-06	T1105A	Add Label
A/2	14-01-10	B0110A	Modify the core sequence
A/3	16-07-04	B0701A	Increment LABEL
A/4	17-07-01	B0728A	modification TOTM



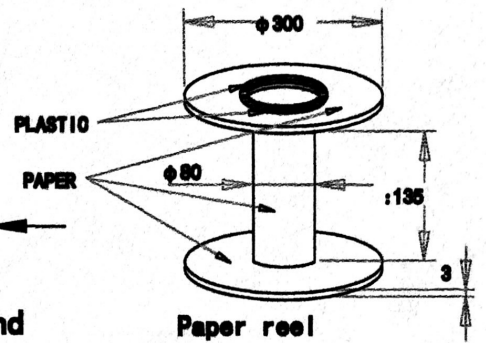
CONDUCTOR: [28AWG (0.12/7) CCA] X8C  
 INSULATION: [PP6331 OD=0.95±0.05MM] X8C  
 JACKET: PVC TOTM NOUL 65P



- BLUE
- ORANGE
- BLACK
- RED
- GREEN
- YELLOW
- BROWN
- WHITE



Label (1): White color with black Marking on paper reel



Note :cable direction and inner color sequence

1000 ft/R with PE Film

PART NO	DRAWIN NO	CABLE LENGHT "L"	BUYER COLOR	VENDOR COLOR
170203	217-040-A	1000FT/R		849-1 LIGHT

★. Test condition :100% Electronic Test

NO.	PART NAME	SPECIFICATION DESCRIPTION	QTY	UNIT
③	LABLE (3)	50X20MM Black word in white bottom	1	PCS
④	LABLE (2)	10X5MM Black word in white bottom	1	PCS
⑤	LABLE (1)	40X20MM White color with black Marking	1	PCS
⑥	Paper reel	φ300Xφ80X135X3MM Two ends with plastic head, as above	1	PCS
⑦	CABLE	1000FT/R 28AWG 8C	1	PCS

DRAWN BY:	DATE: 2017/07/31	DESCRIPTION: 1000FT/R 8C 28AWG CABLE
CHECKED BY	SHEET 1 of 3	ITEM NO. 170203
APPROVED BY	SCALE 1:1	REV. A/4 UNIT: mm