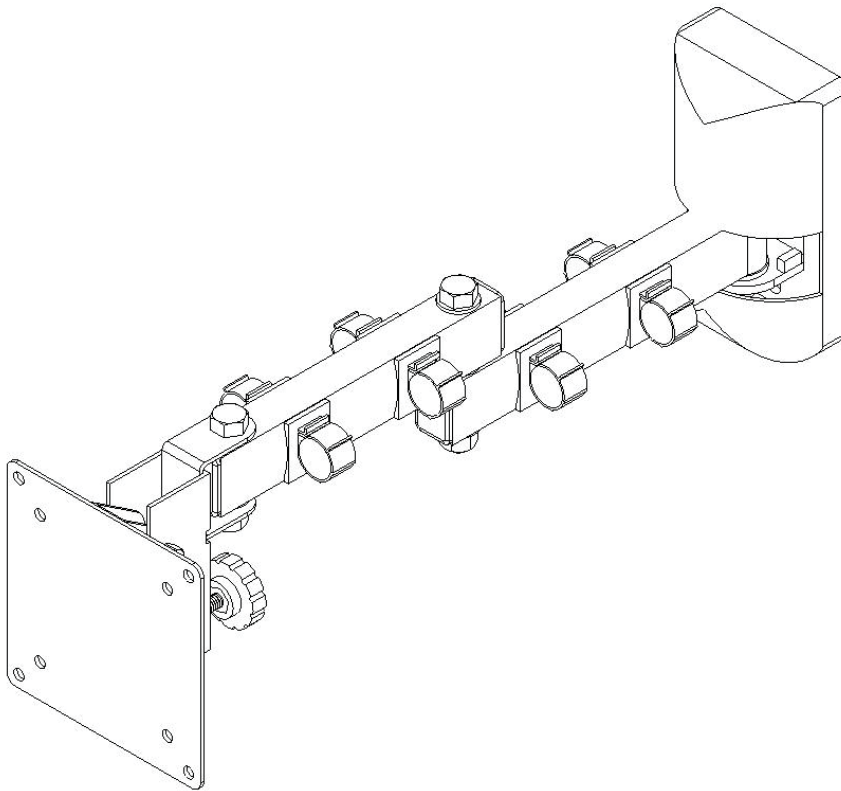


WMP

VIDEO MOUNT PRODUCTS

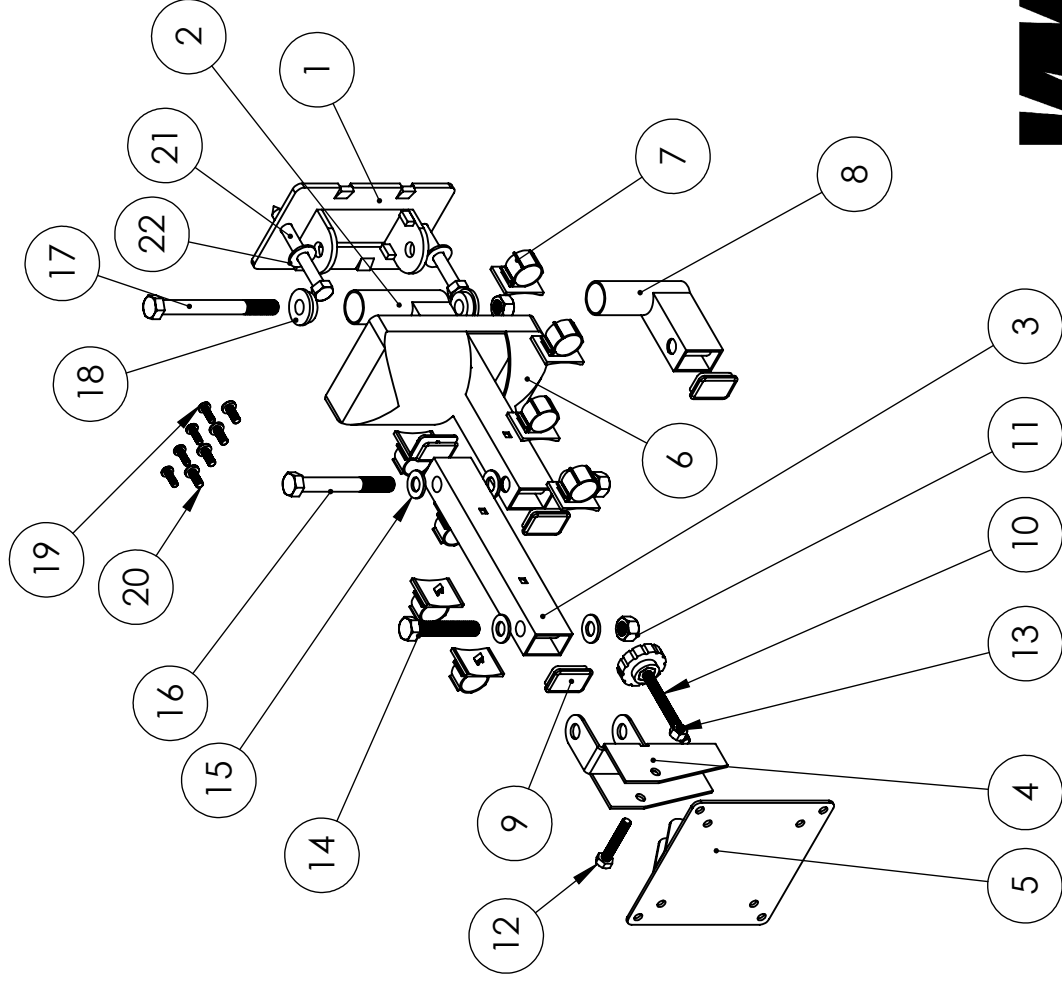
Instruction Sheet For:

LCD-1 & LCD-1B

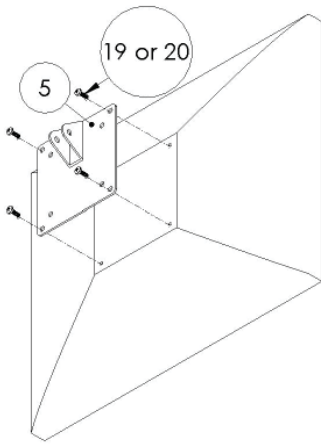


For more information, please contact us at:
345 Log Canoe Circle, Stevensville, Maryland 21666
Toll Free: 877.281.2169 Phone: 410.643.6390 Fax: 410.643.6615
www.videomount.com

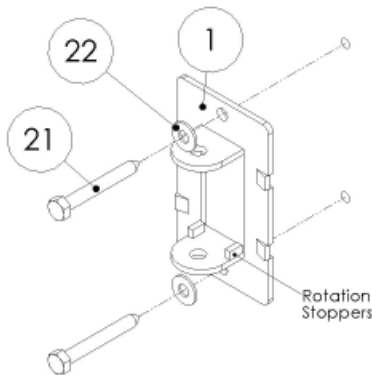
LCD-1



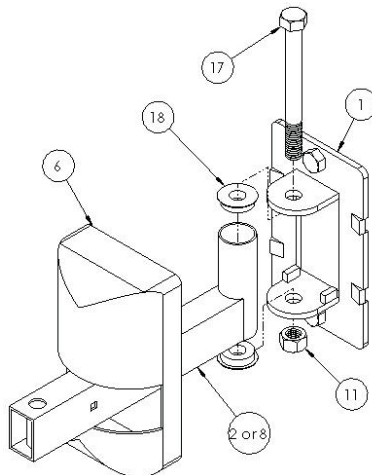
ITEM NO.	DESCRIPTION	QTY.
1	Wall Plate	1
2	Rear Force Arm	1
3	Front Force Arm	1
4	Swivel Bracket	1
5	Mounting Plate	1
6	Plastic Cover	1
7	Cable Clip	8
8	Shorter Force Arm	1
9	End Cap	4
10	Adjustable Screw 1/4" - 20UNC*L50mm	1
11	Nylon Nut 3/8"-16UNC	3
12	Screw M6*P1.0*L35	1
13	Nylon Nut M6*P1.0	1
14	Screw 3/8"-16UNC*L2"	1
15	Washer Ø 3/8" * Ø 19 * T1.6mm	5
16	Metal Pin	1
17	Screw 3/8"-16UNC*L96mm	1
18	Plastic Flanges	2
19	Screw M4*P0.7*L12	4
20	Screw M5*P0.8*L12	4
21	Lag Screw Ø 5/16" * L2.5"	2
22	Washer Ø 8.3 * Ø 19 * T1.6	2



Step 2: Attaching the monitor to the mounting plate



Step 3: Attaching the wall plate to the mounting surface



Step 4: Attaching the rear force arm to the wall plate

Step 1

Before starting, lay out all parts to your mount and match them to the parts list provided. Verify that you have all your parts before attempting to assemble the mount.

Step 2

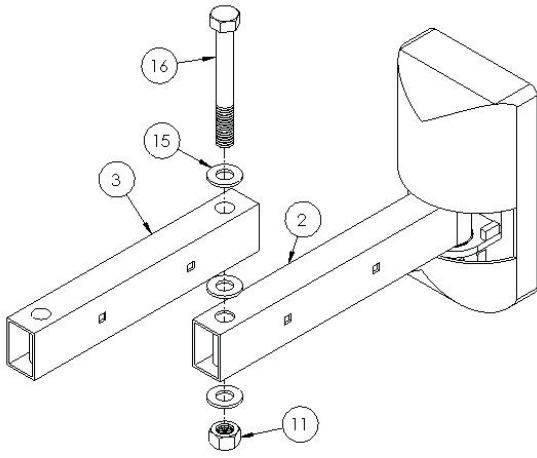
Attach the mounting plate (5) to your LCD monitor using the M4 (19) or M5 (20) screws or as appropriate.

Step 3

Mark the wall or desired mounting surface in preparation of installation of wall mounting plate (1). If mounting to wooden studs, pre drill pilot holes using a 7/32" drill bit. Attach the wall plate (1) to the wooden stud using the 5/16" by 2.5" long lag screw (21) and washer (22) making sure the small rotation stoppers on the wall plate are towards the bottom. **WARNING: Please verify that your mounting surface will support the combined weight of your mount, mounting hardware, and flat panel. Also verify that the mounting surface is safe to drill through. Please note only mounting hardware for mounting to wooden studs will be provided with the unit. If mounting to a surface other than wooden studs then other hardware will be required. If in doubt or uncertain about any of the above, please contact a professional installer.**

Step 4

Next determine which arm configuration you desire (double arm, single arm, or near flush) and locate the correct arms (8) for near flush, (2) for single arm, OR (2) and (3) for double arm). Attach the desired wall arm, (2) or (8) to the wall plate (1) using the 3/8" screw (17), plastic fanges (18) and nylon nut (11). Snap the plastic cover (6) onto the wall plate (1).



Step 5: Attaching the front force arm to the rear force arm

Step 5

If your application calls for the single arm or near flush mount configuration proceed to the next step. If your application calls for the double arm configuration, attach the front force arm (3) to the rear force arm (2) using the metal pin (16), washers (15) and the nylon nut (11).

Step 6

Attach the swivel bracket (4) to the appropriate force arm ((2) (3) or (8) depending on your application) using a 3/8" screw (14), washers (15) and nylon nut (11). Insert adjustable screw (10) into the back of the swivel bracket (4) for use when tilting the monitor.

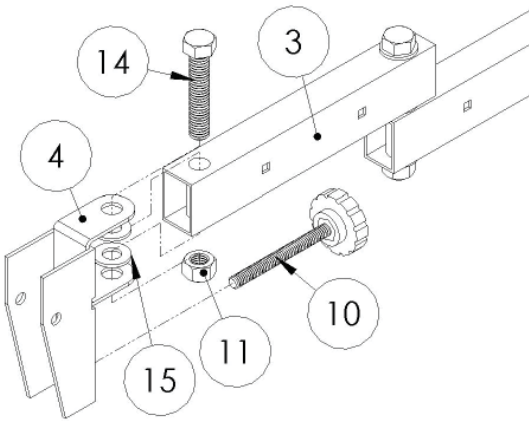
Step 7

Attach the mounting plate (5) to the swivel bracket (4) using the M6 screw (12) and nylon nut (13).

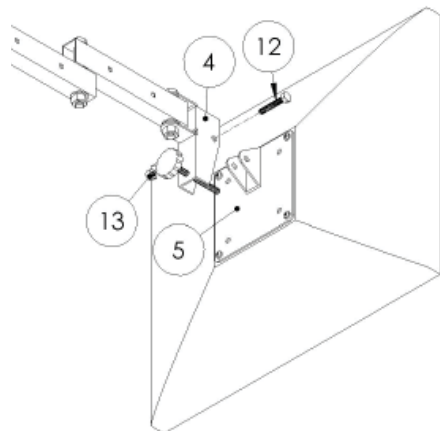
Step 8

Insert end plugs into the force arms used by your application. Insert the cable clips by pushing the arrow ends into the square holes in the force arms.

Please verify that all nuts and screws are securely tightened.



Step 6: Attaching the pivot bracket to the front force arm



Step 7: Attaching the mounting plate to the pivot bracket



Enjoy Your Mount!

WARNING: The installer of these products must verify that the mounting surface, ceiling or wall, will safely support the combined weight of all attached equipment and hardware. Video Mount Products will not be held liable for the improper use or installation of its products.