

# FP-MWAB

## Mid-Size Flat Panel Articulating Wall Mount

### Product Features:

Holds 24" – 37" flat panels / Mounts on a single stud

Maximum flat panel hole pattern – 450mm x 400mm

Rotates 45° left to right

Tilt -  $\pm 15^\circ$  / List correction -  $\pm 3^\circ$

Depth 5.5" (arms collapsed) / 16.5" (arms extended)

Mounting rails accept padlocks / Built in level

Clip based cable management system

Load capacity - 80 lbs

Black powder coat finish

### Product Specifications:

*(for Architects & Engineers)*

The articulating wall mount for the medium flat panel display shall be the Video Mount Products (VMP) FP-MWAB.

The mount shall be designed to attach to 1 stud or other suitable support surface. The mount shall be constructed primarily of formed steel and aluminum and shall incorporate arc welds. The mount shall be a universal style mount

capable of adjusting to the dimensions of a variety of popular 24" to 37" flat panel displays and not necessarily be model specific. The adjustable mounting rails shall be

capable of accommodating a maximum hole pattern of 450 mm wide and 400 mm tall. The mount shall be

capable of tilting from  $-15^\circ$  to  $+15^\circ$ . The mounting rails shall be capable of accepting a pad lock to further secure

the flat panel against theft. The load capacity shall be 80 lbs.

### Video Mount Products

345 Log Canoe Circle

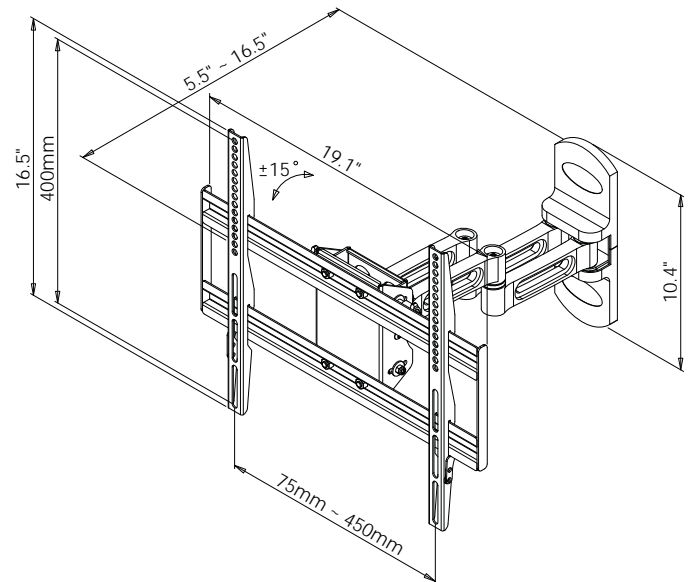
Stevensville, MD 21666

Toll Free: 877.281.2169

Telephone: 410.643.6390

Facsimile: 410.643.6615

[www.videomount.com](http://www.videomount.com)



**VMP**  
VIDEO MOUNT PRODUCTS