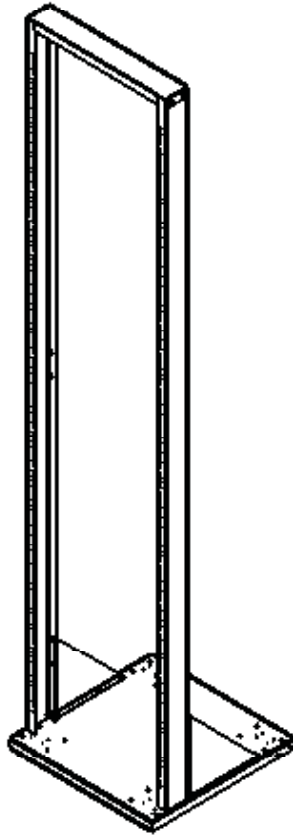




*Instruction Sheet For:*

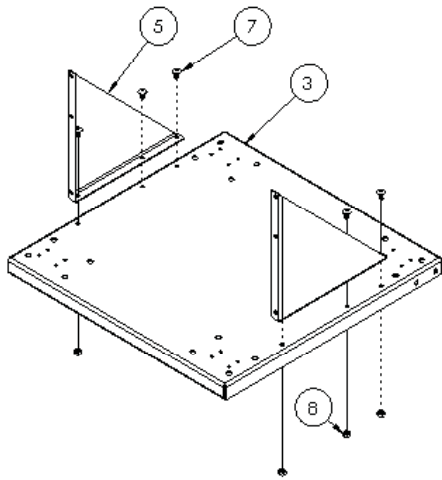
# ER-1, ER-148, ER-184

---



---

*For more information, please contact us at:  
325 Log Canoe Circle, Stevensville, Maryland 21666  
(T) 410.643.6390 / (F) 410.643.6615  
[www.videomount.com](http://www.videomount.com)*



Step 2: Attaching the triangle plates

### Step 1

Before starting lay out all parts to your mount and match them to the parts list provided. Verify that you have all your parts before attempting to assemble the mount.

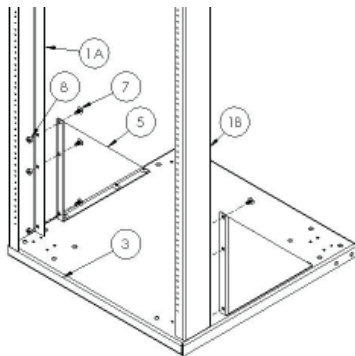
**Note:** For the example images the ER-184 is shown.

### Step 2

Attach the triangle plates (4) for ER-1 and ER-148, (5) for ER-184 to the base plate (2) for ER-1 and ER-148, (3) for ER-184 using ¼" – 20 screws (6) for ER-1 and ER-148, (7) for ER-184 and nuts (7) for ER-1 and ER-148, (8) for ER-184.

### Step 3

Attach the left (1A) and right (1B) supports to the triangle plates (4) for ER-1 and ER-148, (5) for ER-184 using ¼" – 20 screws (6) for ER-1 and ER-148, (7) for ER-184 and nuts (7) for ER-1 and ER-148, (8) for ER-184.

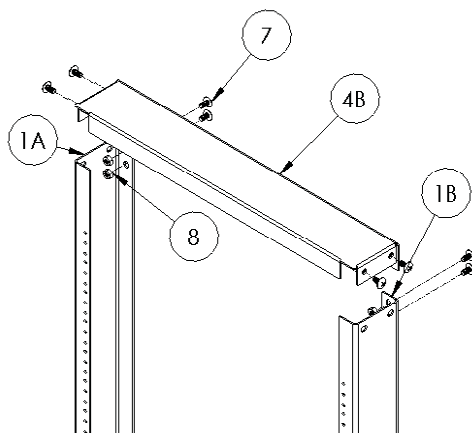


Step 3 : Attaching the left and right supports

### Step 4

Attach the support plate (3) for ER-1 and ER-148, (4B) for ER-184 to the left (1A) and right (1B) supports using ¼" – 20 screws (6) for ER-1 and ER-148, (7) for ER-184 and nuts (7) for ER-1 and ER-148, (8) for ER-184.

*Please verify that all nuts and screws are securely tightened.*



Step 4 : Attaching the support plate

## Enjoy Your Mount!

**WARNING:** The installer of these products must verify that the mounting surface, ceiling or wall, will safely support the combined weight of all attached equipment and hardware. Video Mount products will not be held liable for the improper use or installation of its products.

