

DVR-LB1

DVR Lockbox w/ Fan

Product Features:

Interior dimensions 21" L x 21" D x 8" H

Vented and includes fan for additional ventilation

Interlocking lift off lid

Key locked hinging front door

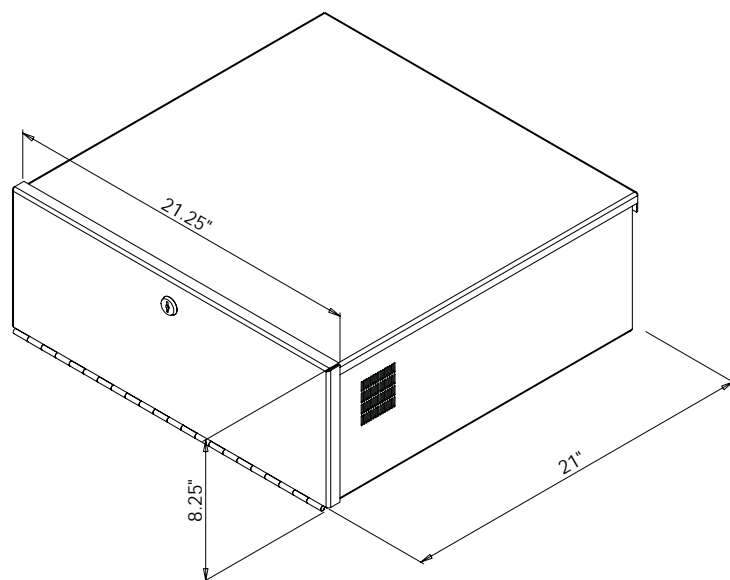
Black powder coat finish

Product Specifications:

(for Architects & Engineers)

The DVR lockbox shall be the Video Mount Products (VMP) DVR-LB1. The lockbox shall be primarily constructed of formed steel and shall include spot welds. The lockbox shall have an interlocking lift off lid and a keyed lock front door. The lockbox shall include multiple cable knockouts to accommodate cable connections to the DVR.

The lockbox shall include a fan with a power cord and vents for proper ventilation of the DVR.



Video Mount Products

325 Log Canoe Circle

Stevensville, MD 21666

Phone: 410.643.6390

Fax: 410.643.6615

www.videomount.com

