



**Catalog Number** 91654  
**UPC Number** 60198691654  
**Description** Heavy duty Lay-In Ground Clamp



#### Features

- Manufactured from High Strength High Conductivity copper alloy
- Stainless Steel Screws
- Direct Burial Applications
- Rebar, Pipe, conduit, ground rod, copper tubing
- High vibration/Expansion applications

#### General

**Material** Cast Copper Alloy  
**Screw Type:** Stainless Steel  
**Pipe Size Range:** 1/2" - 1"  
**Rebar Size Range:** 3/8" - 1"

#### Dimension Information

**Length:**  
**Width**  
**Wire Range:** #8 - 4/0

#### Specifications

**Temperature Rating**  
**Voltage Rating**  
**Flammability Rating** N/A  
**Amp Rating**

#### Packaging

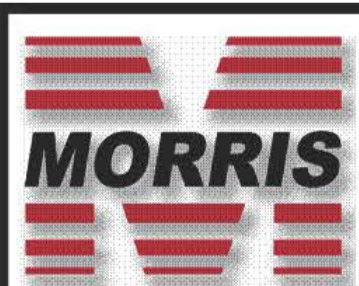
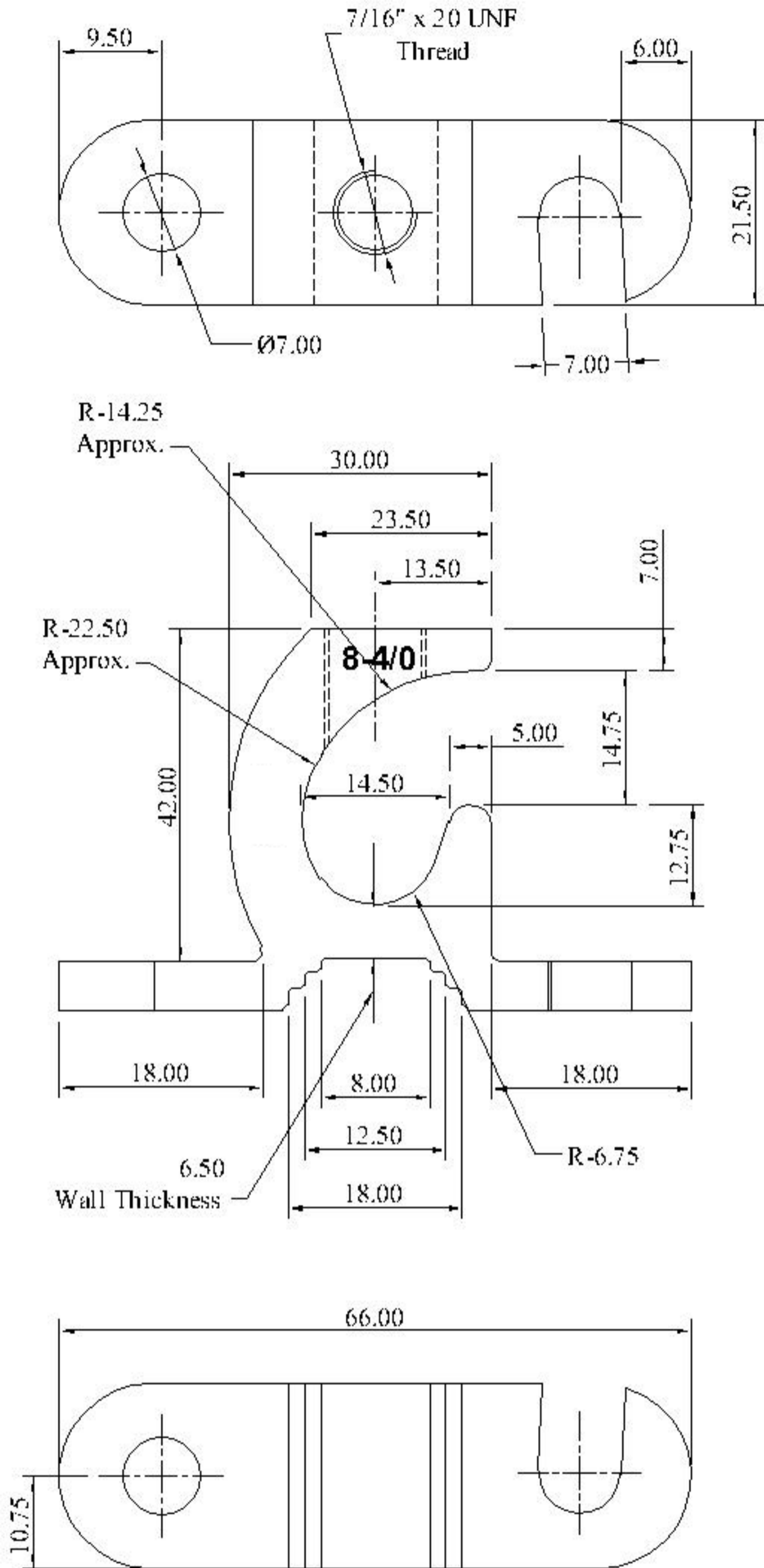
**Box Qty** 10

#### Certifications

**UL** 467 Direct Burial Rated  
**cUL**  
**RoHS**

[www.morrisproducts.com](http://www.morrisproducts.com)

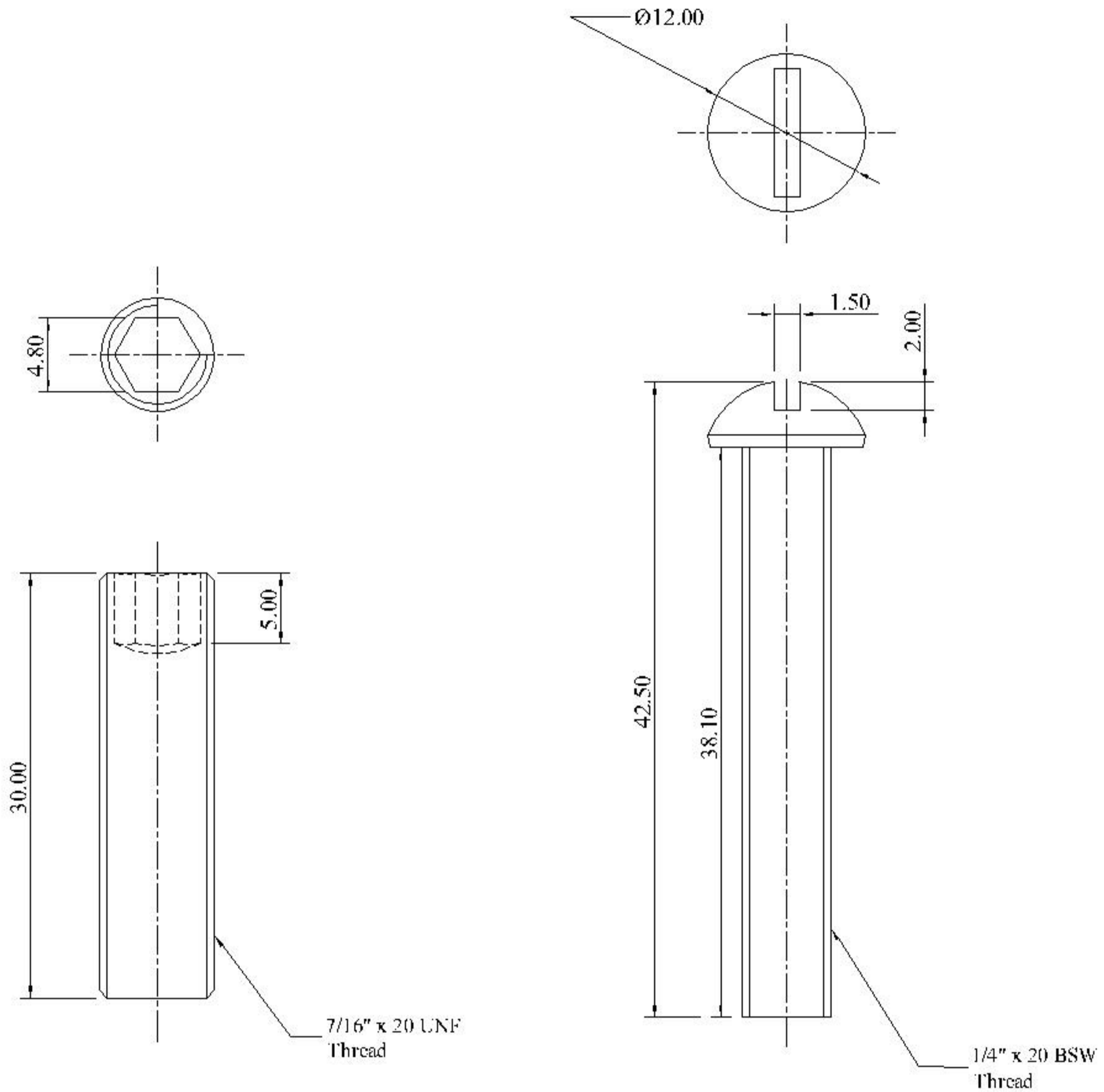
Morris Products 53 Carey Road, Queensbury, NY 12804



Morris Products Inc.

53 Carey Rd. Queensbury NY 12804

	NAME	DATE
DRAWN	<i>(Signature)</i>	26/2/2003
CHECKED	R.S.Gada	26/2/2003
APPROVED	R.S.Gada	26/2/2003
MATERIAL-	<b>Stainless Steel</b>	
TOLERANCE-	<b>±0.50</b>	
SCALE - NTS	TITEL- <b>Screws for - Part no.- 91654</b>	
TREATMENT- <b>Clean</b>	All dimensions are in mm	
Drawing No.- 91654-B		



Morris Products Inc.

53 Carey Rd. Queensbury NY 12804

	NAME	DATE
DRAWN	<i>(Signature)</i>	26/2/2003
CHECKED	R.S.Gada	26/2/2003
APPROVED	R.S.Gada	26/2/2003
MATERIAL-	<b>Stainless Steel</b>	
TOLERANCE-	<b>±0.50</b>	

SCALE - <b>NTS</b>	TITEL- <b>Screws for - Part no.- 91654</b>
	TREATMENT- <b>Clean</b>
	All dimensions are in mm

Drawing No.- 91654-B