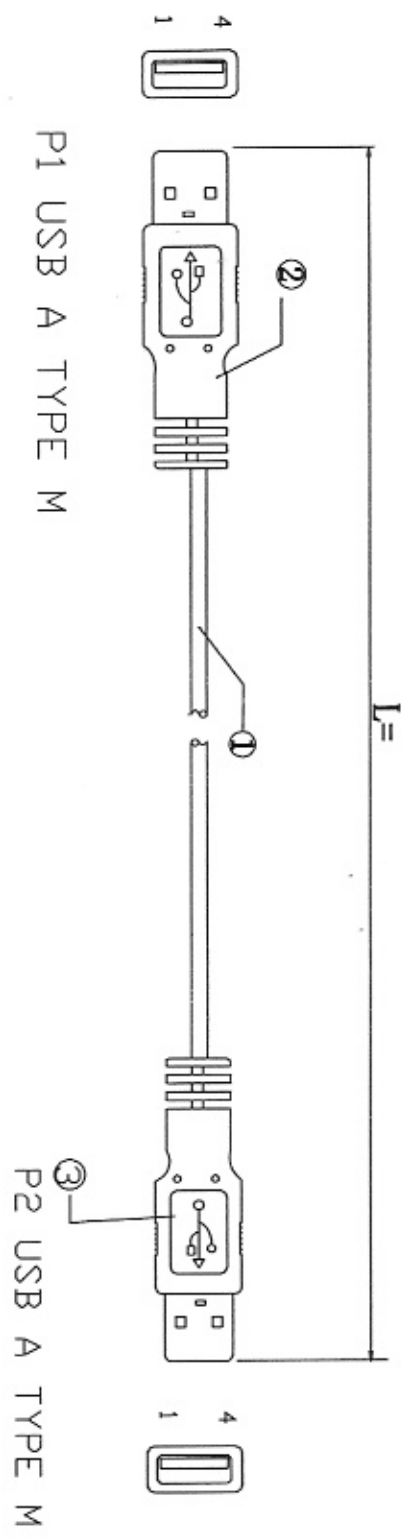


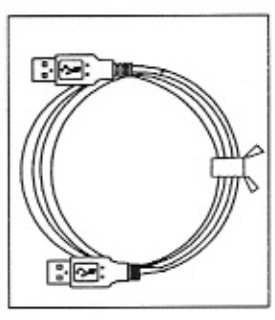
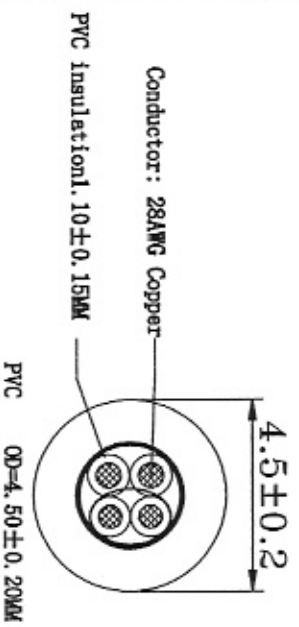
NOTE: ALL MATERIAL COMPLIANT ROHS STANDARD

REVISION INFORMATION		
Rev.	Rev. Date	Modified By
		Brief Description



Wire point

- | | | |
|----|-------|----|
| P1 | | P2 |
| 1 | Red | 1 |
| 2 | White | 2 |
| 3 | Green | 3 |
| 4 | Black | 4 |
| 5 | Drain | 5 |



: B: (Black)
C: (Clear)
I: (Ivory)

1). Material List :

NO.	PART NAME	SPECIFICATION DESCRIPTION	QTY	UNIT
⑤				
④	Outer Jacketing	PVC 4IP Black/Ivory/Clear	NA	KG
③	Connector	USB AM 3 Pieces	2	PCS
②	Wire	28AWG 28AWG, 600 Ohm, 4, 5 Black/Ivory/Clear	3	FT
①				



DRAWN BY	DATE:	DESCRIPTION:
CHECKED BY	2011/12/31	USB 2.0 AM/AM
APPROVED BY	SHEET 1 of 1	ITEM NO.
	SCALE 1:1	REV. 00
		UNIT: mm