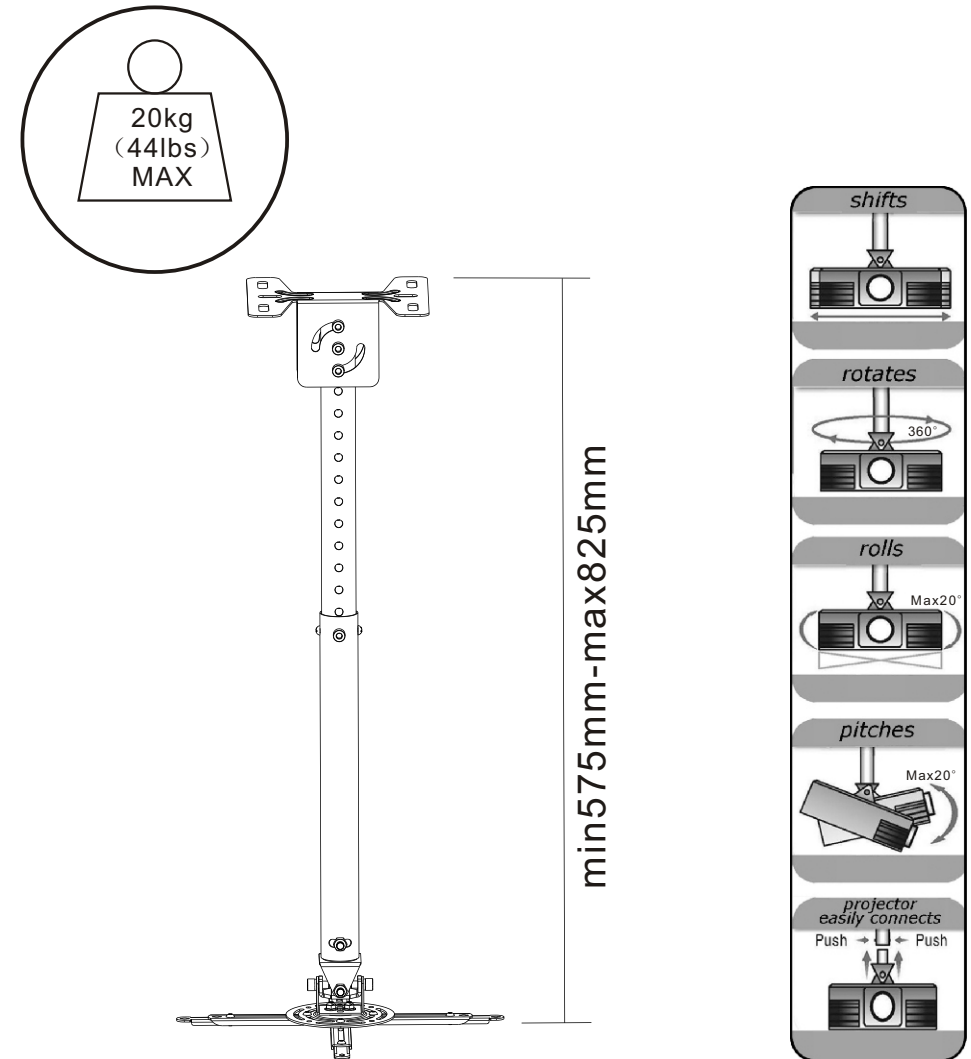


WARNING

Severe personal injury and property damage can result from improper installation or assembly. Read the following warning before beginning.

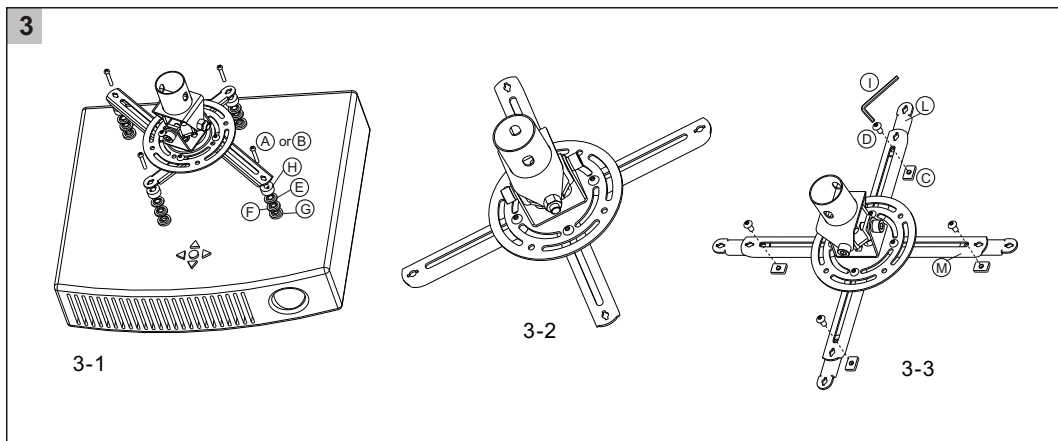
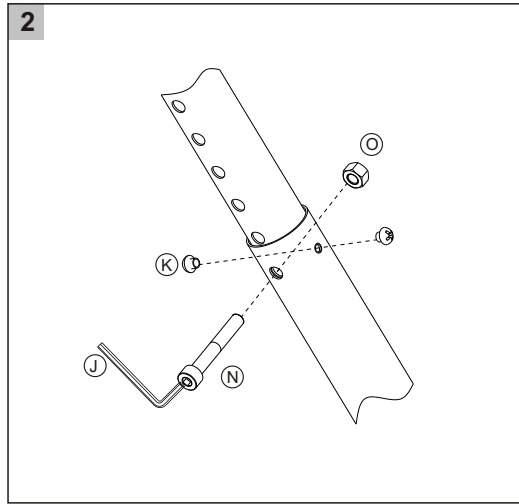
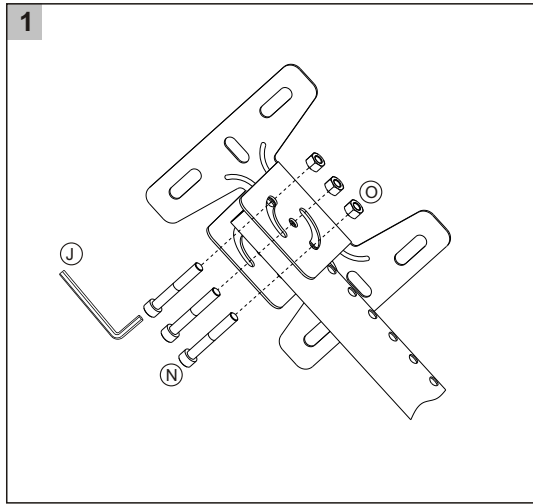
- If you do not understand the instructions or have any concerns or questions, please contact a qualified installer.
- Do not install assemble if the product or hardware is damaged or missing, if you require replacement parts, please contact you local distributor for assistance.
- This product has been designed for use on a ceiling/wall constructed or wood studs (minimum 2"x4" inch (51x102mm)) or masonry (solid concrete).
- For safe installation, the ceiling/wall you are mounting to must support minimum 3 times the weight of the total load(the mount, the projector and all accessories).
- Do not use this product for other than the original designed.
- This product contain moving parts, please use with caution.
- The manufacturer will bear no responsibility to the ceiling/wall of mounting, or incidental or consequential damages arising thereof.
- The manufacturer disclaims any liability for the modifications, improper installation, or installation over the specified weight range. The manufacturer will not be liable for any damages arising out of the use of, or inability to use, the product.

Universal Ceiling Projector Bracket



This product should be mounted to solid brick, concrete or hard wood batten / studs Ceiling.

| | | | | | | | | |
|----|----|----|----|----|----|----|----|----|
| A | B | C | D | E | F | G | H | I |
| | | | | | | | | |
| x4 | x4 | x4 | x4 | x4 | x4 | x4 | x4 | x1 |
| J | K | L | M | N | O | P | Q | R |
| | | | | | | | | |
| x1 | x2 | x2 | x2 | x5 | x5 | x4 | x4 | x4 |



Note: If the short extension brackets (L) cannot fit your projector, please use longer extension brackets (M), see fig 3-2. But if either (L) or (M) extension brackets cannot fulfill your requirement (Not enough length), then please combine both (M) and (L) extension brackets with the use of screws (D) and square nuts (C) to joint them together. See fig 3-3

