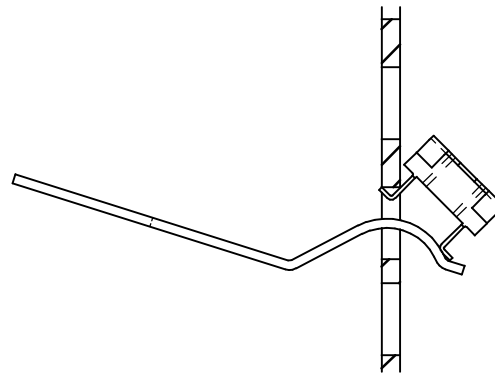


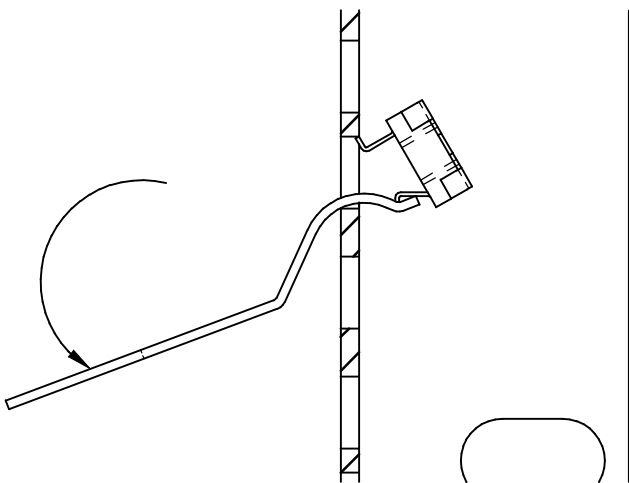
STEP 1:

Locate cage nut as shown on back side of rail.



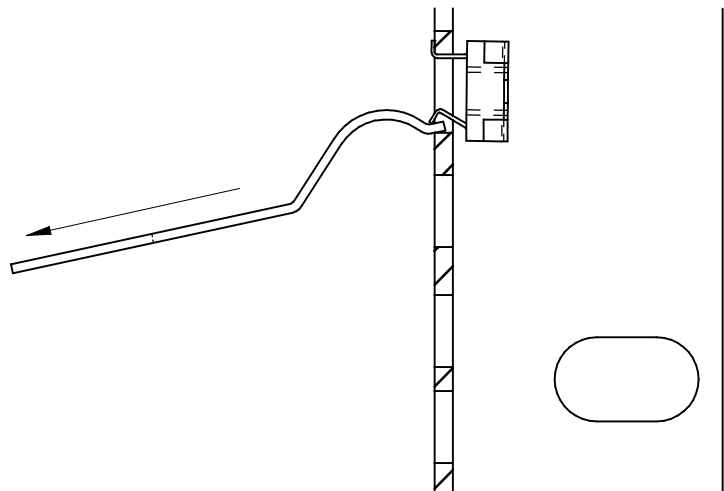
STEP 2:

Insert RCNIT through hole and hook onto bottom lip of cage nut.



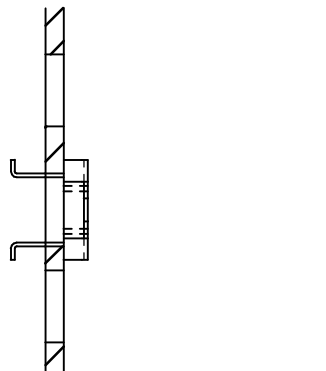
STEP 3:

Rotate RCNIT down.

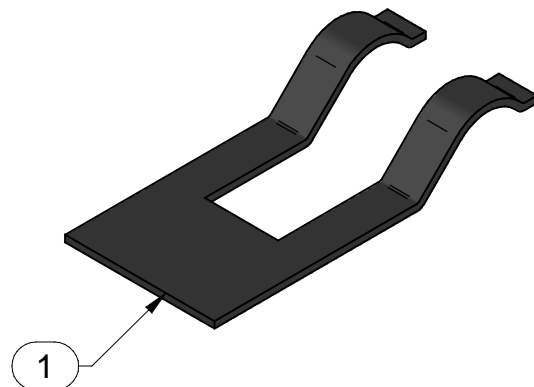


STEP 4:

As you rotate the RCNIT down pull the RCNIT back through the hole.



Cage nut fully positioned



PARTS LIST		
ITEM No.	DESCRIPTION	QTY
1	CAGE NUT INSERTION TOOL	1