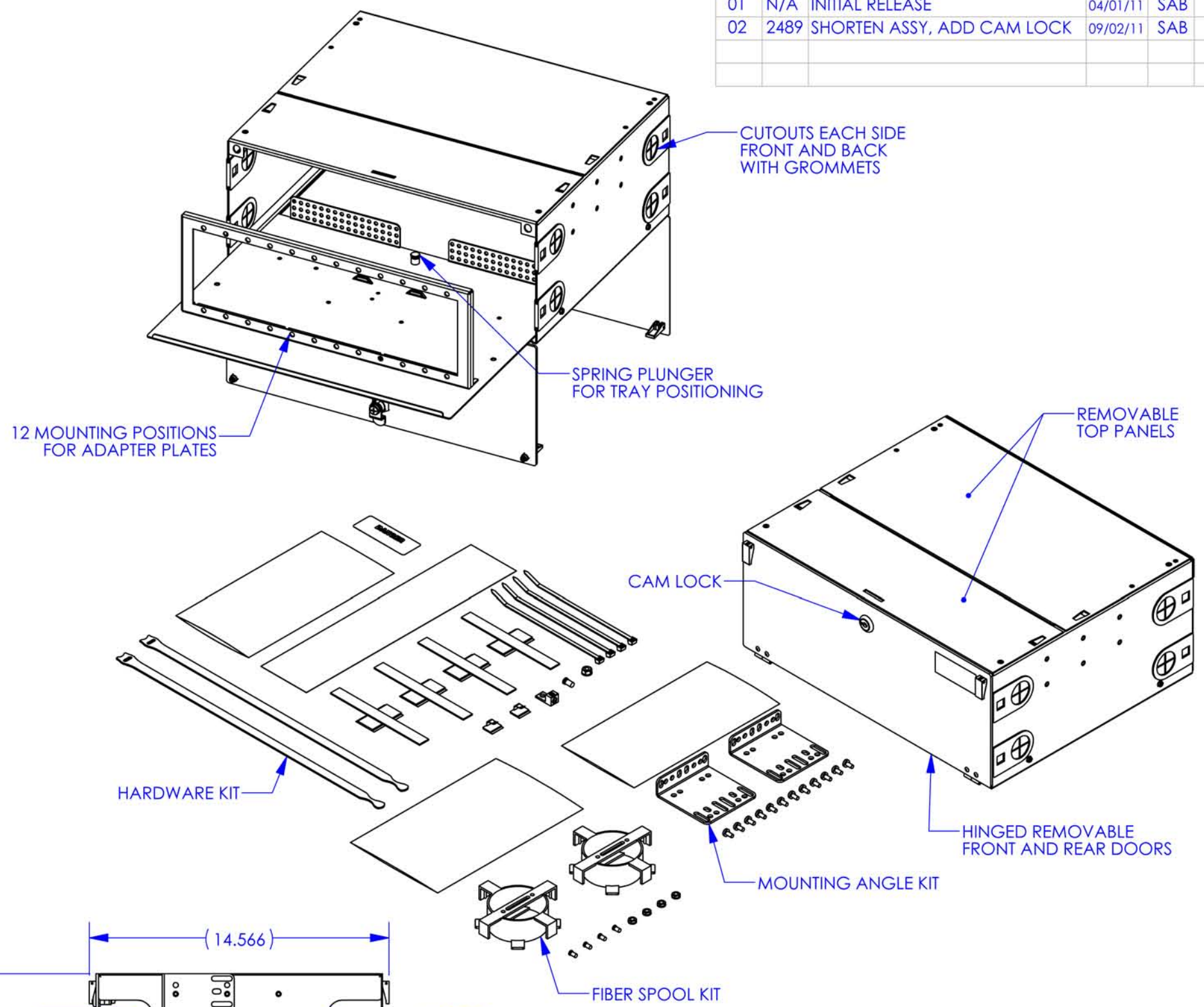
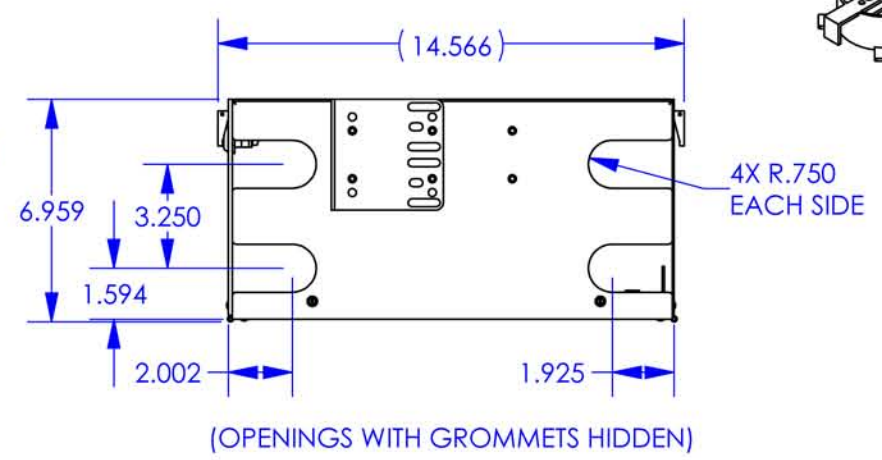
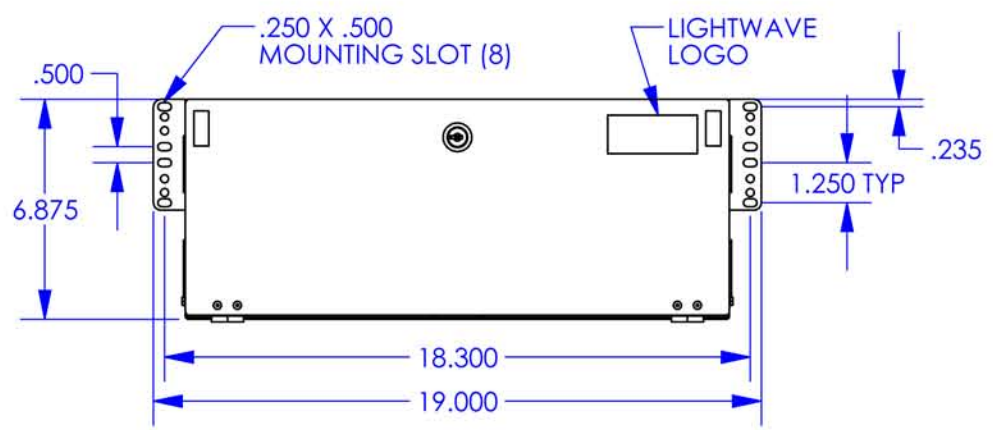
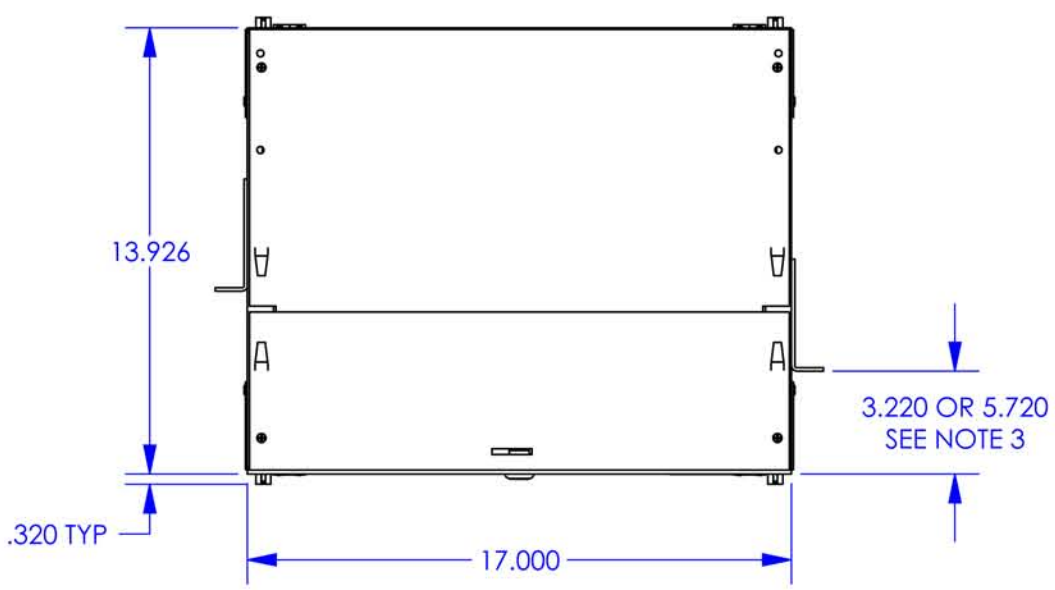
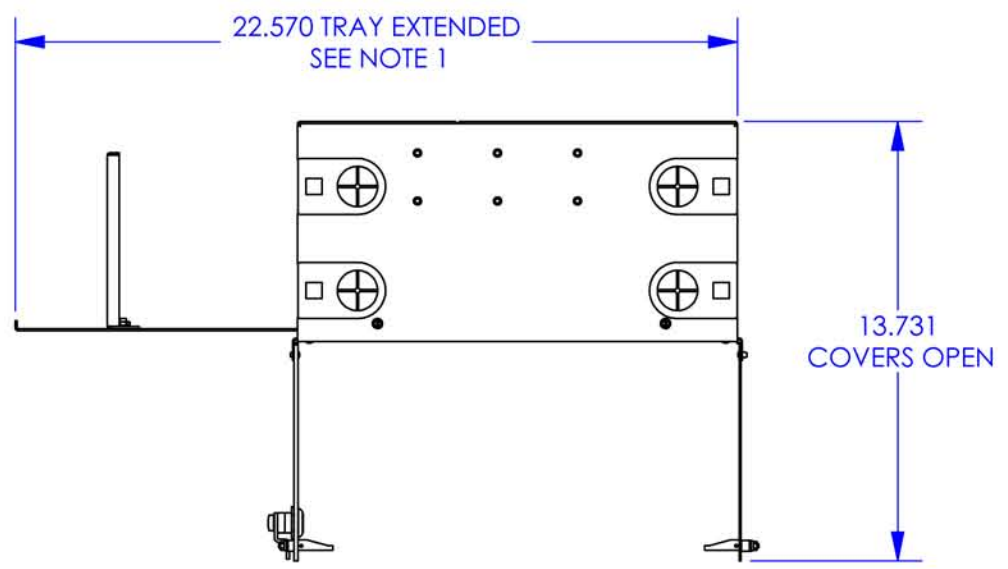


REV.	ECN #	DESCRIPTION OF CHANGE	DATE	BY	MFG ENG
01	N/A	INITIAL RELEASE	04/01/11	SAB	
02	2489	SHORTEN ASSY, ADD CAM LOCK	09/02/11	SAB	

- NOTES:
1. TRAY LOCKS IN CLOSED AND EXTENDED POSITION WITH SPRING PLUNGER.
 2. MOUNTING ANGLES CAN BE CONFIGURED FOR 19" RACK (SHOWN) OR 23" RACK.
 3. MOUNTING ANGLES HAVE (2) MOUNTING POSITIONS, FORWARD MOST SHOWN.



		CUSTOMER PN: RAC-4X	
		PN: RAC-4X	
Lightwave PO Box 28928 Richmond, VA 23228 Tel: (804) 672-8426 Fax: (804)672-8427	Approval		This drawing is the property of Cables Plus, LLC and contains proprietary information. All rights reserved and shall not be disclosed to others, duplicated or transmitted electronically in any manner without the expressed written consent of Cables Plus LLC.
	DATE: 09/02/2011	REV	