

frame^{it}all™
simple · modular · edging

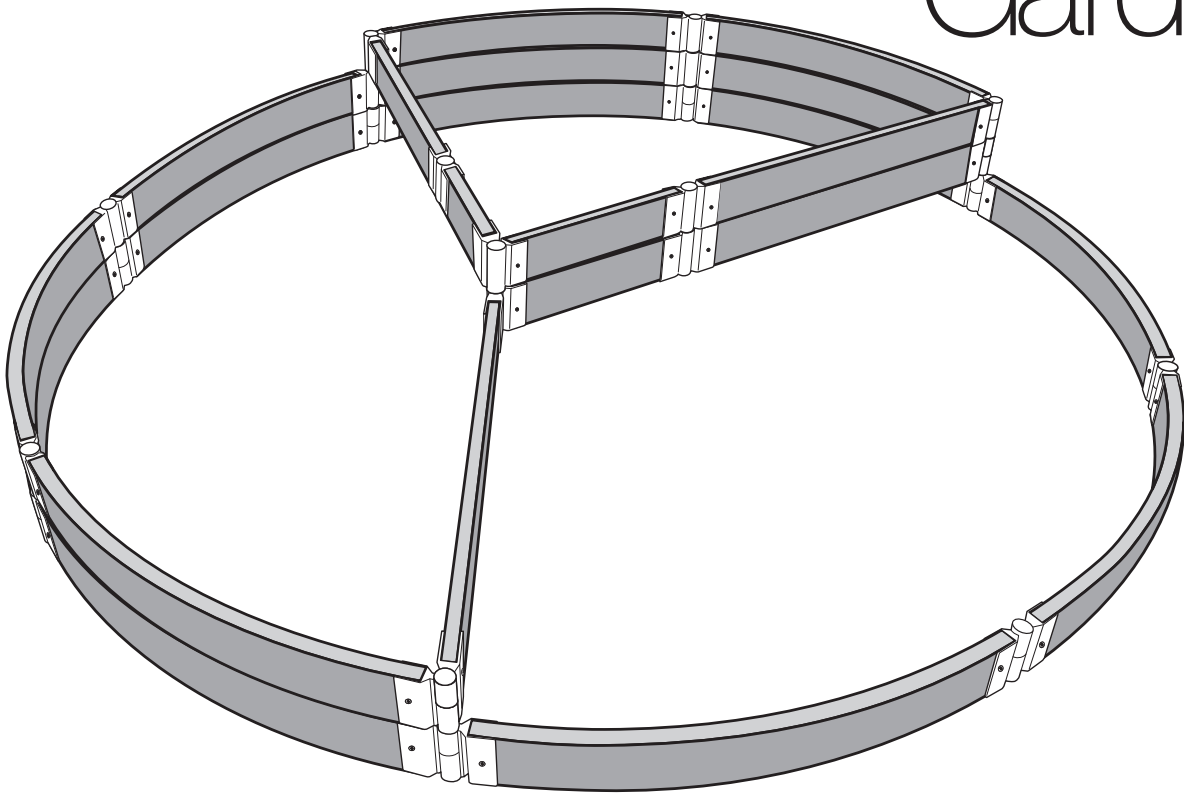
 SCENERY SOLUTIONS
A Division of VegHerb, LLC

Manufactured and Distributed by
Scenery Solutions, Inc., 222 Grace Church Street, Suite 302
Port Chester, NY 10573

Questions call: 800-914-9835 admin@frameitall.com

©2009 Frameitall All rights reserved

English Country Garden



**The English Country Garden
kit contains:**

- 15 Curved Timbers
- 6 Straight timbers
- 11 Stacking Joints (2 pack)

Introducing the 'Frame-It-All' English Country Garden

For general assembly you can find the instructions in the 2 Pack of Frame-it-all joints.

ECO-friendly

The framework utilizes our Curved Composite Plastic Timbers. Manufactured from 40% wood fiber and 60% recycled polyethylene, the Eco-friendly durable composite wood grain plastic timbers never rot, warp or splinter. The cut-to-size Timbers connect to brackets with our patented Anchor and Stacking Joints stakes.


Dimensions: 10.5' x 10.5' area

Tools Needed:

- Phillips head screwdriver
(electrical or battery operated preferred)
- Hammer
- Handsaw

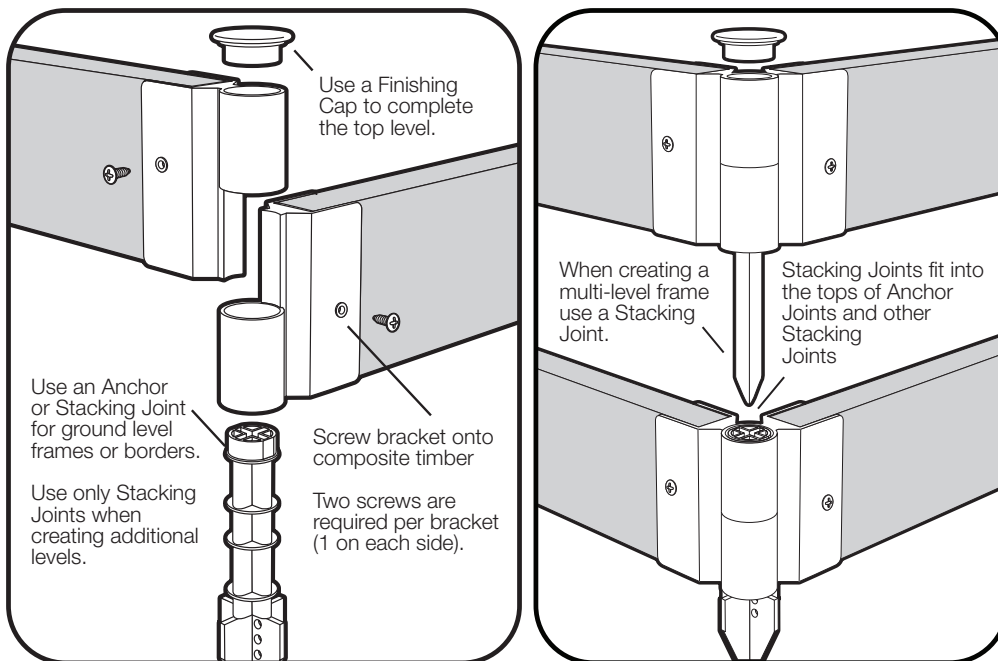
Parts Identification

Parallel bracketed 

Curved timber 

Stacking Joint 

How the Joints Work



Special Installations:

Cut 2 straight timbers exactly in half and set 1 timber aside to be custom cut to fit at end of project assembly. Attach the brackets parallel to all remaining timbers as shown in diagram (P).

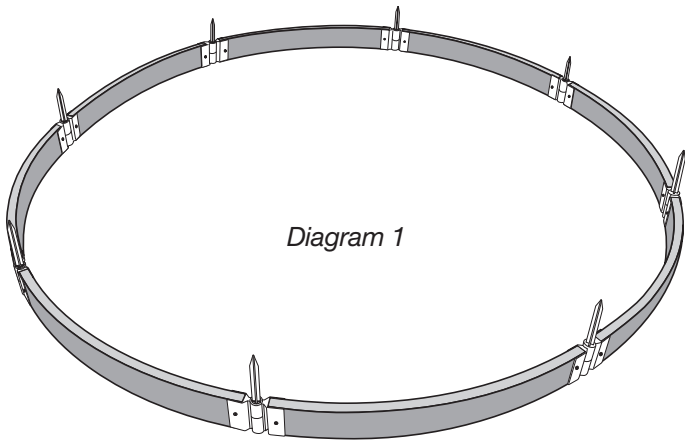


Diagram 1

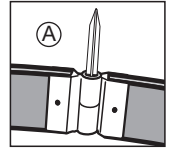
Level one (Diagram 1)

Materials: 8 curved timbers, 8 stacking joints

Connect each of the 8 curved timbers to the 8 stacking joints to create a circle.

Shape adjustment: Create a circle by connecting 8 of the bracketed timbers with the stakes upside down (A) so the timbers can be angled easily (Diagram 1).

Once the desired position of base level is achieved, turn stake fins facing down and hammer stakes through the brackets tube into ground.



Level two (Diagram 2 & 3)

Materials: 5 curved timbers, 8 stacking joints, 2 straight timbers and one straight timber cut in half.

On top of the Level One circle connect 5 bracketed curved timbers using the stacking joints leaving 3 curved timbers of circle of level one (Diagram 2).

At each end of the open circle connect one straight timber angling towards the center.

Cut one straight timber in half and use one 1/2 piece to extend one of the full straight timbers and connect with the other straight timber to complete the 2nd level (Diagram 3).

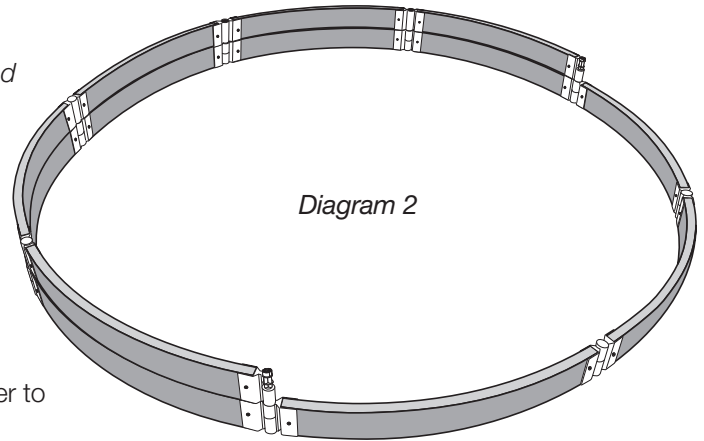


Diagram 2

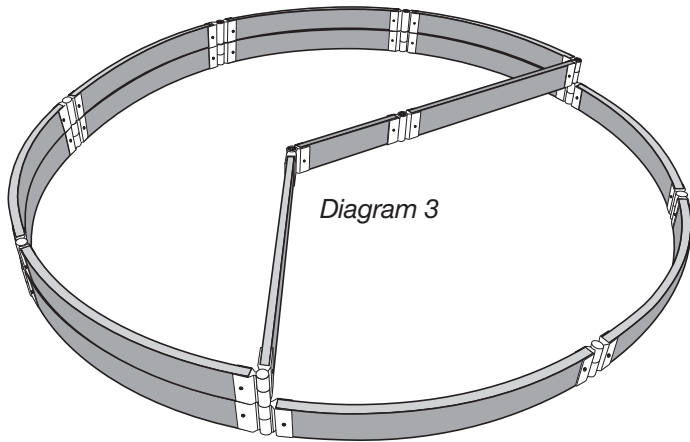


Diagram 3

Level three (Diagram 4)

To create Level 3 stack 2 curved timbers, 2 full straight timbers, one half timber and one small custom cut timber. To properly size the custom timber slide the brackets over the stakes and measure the area between each bracket that the timber will fit into. Cut the remaining straight timber and slide timber into the brackets and fasten with screws.

To get proper custom timber size measure from bracket to bracket. Timber can be cut using most hand & power saws.

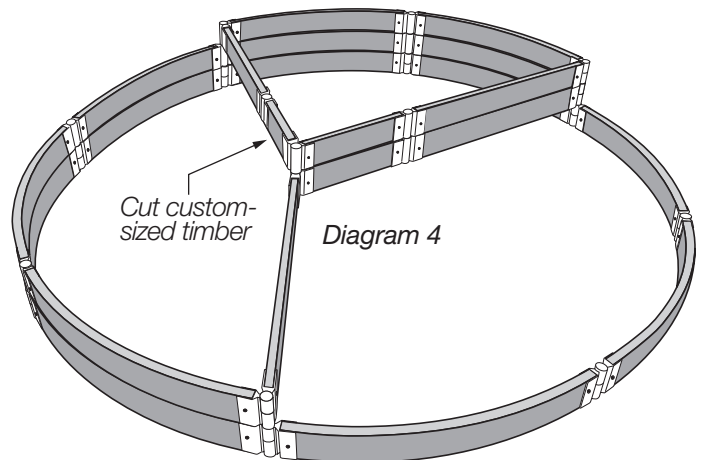


Diagram 4