
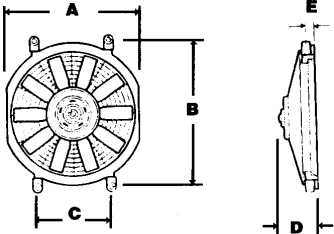


ECONOMY ELECTRIC AUXILIARY CONDENSER FANS FOR LIGHT, MEDIUM, & HEAVY DUTY TRUCKS




shown #06-3111



OTHER SINGLE FANS

TRIPAC



PULLER
(towards motor)

PUSHER
(away from motor)


Puller fan - locate behind rad/cond., sucking air in.
Pusher fan - locate in front of rad/cond., blowing air through.

Single Fans (All fans have reversible fan blades and are supplied with mounting hardware)

Part No.	Fan Type(1)	Fan Dia. (A)	(B)	(C)	(D)	(E)	Air Flow (2)	Current (2)	Volts
06-3110	Pusher (1)	9.75"	9.57"	4.97"	2.41"	1.41"	570 CFM	5.4 AMPS	12 volt
06-3111	Pusher (1)	10.75"	10.70"	5.20"	2.43"	1.41"	680 CFM	5.0 AMPS	12 volt
06-3111TA	...Puller (4)	10.59"	9"+12"	5"+9"	2.16"	1.19"	(2 wire Metripak, 3 sets of mntng holes)		12 volt
06-3112	Pusher (1)	12.48"	11.50"	5.87"	2.48"	1.61"	880 CFM	8.8 AMPS	12 volt
06-3114	Pusher (1)	14.41"	13.80"	5.96"	3.35"	1.77"	1350 CFM	10.5 AMPS	12 volt
06-3116	Pusher (1)	16.65"	15.75"	8.12"	4.09"	1.93"	1800 CFM	14.6 AMPS	12 volt
06-3120	Pusher (1) uses 01-3109	9.75"	9.57"	4.97"	2.41"	1.41"	570 CFM	2.7 AMPS	24 volt
06-3122	Pusher (1) uses 01-3109	12.48"	11.50"	5.87"	2.48"	1.61"	880 CFM	4.4 AMPS	24 volt

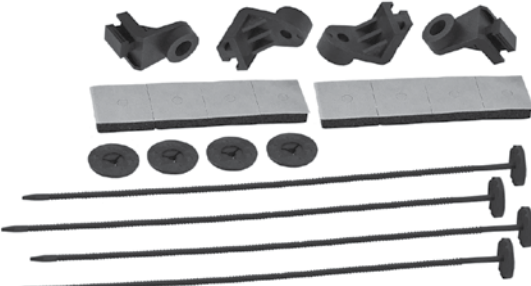
Notes: (1) Can also be used as a Puller Fan. Requires Removal & Reversal of blade (reverse blade, reverse wires).
 (2) Rated at 0.00 Static Pressure Inch, H₂O. (SAE Standards).
 (3) High profile fan assembly (Puller type only).
 (4) TransAir/Carrier Fan

- 12V use Blue wire for CW, Black for CCW
- 24V use Red wire for CW, Black for CCW



01-3109 24 volt
Replacement Fan Motor
for #06-3120 (10")
#06-3122 (12") only

Fan Mounting Hardware



06-3152
FAN INSTALLATION KIT
Mounts fan onto coil, thru fins.

06-3153
FAN INSTALLATION KIT
Includes 06-3152 Tie Kit and
4 side mounting brackets.

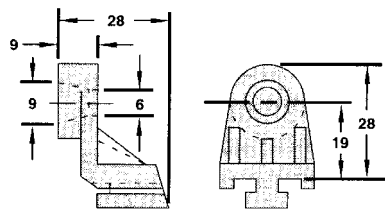
Fan Thermostat/Sensor Kits

06-3157 - Solid-State Thermostat Kit

- Adjustable from 140° - 220° F
- Monitors 2 separate inputs
- 30 amp. output thru relay
- Relay integral to fan control unit
- Accurate, repeatable temperature sensing

06-3158 - Sensor-Stat (12v)

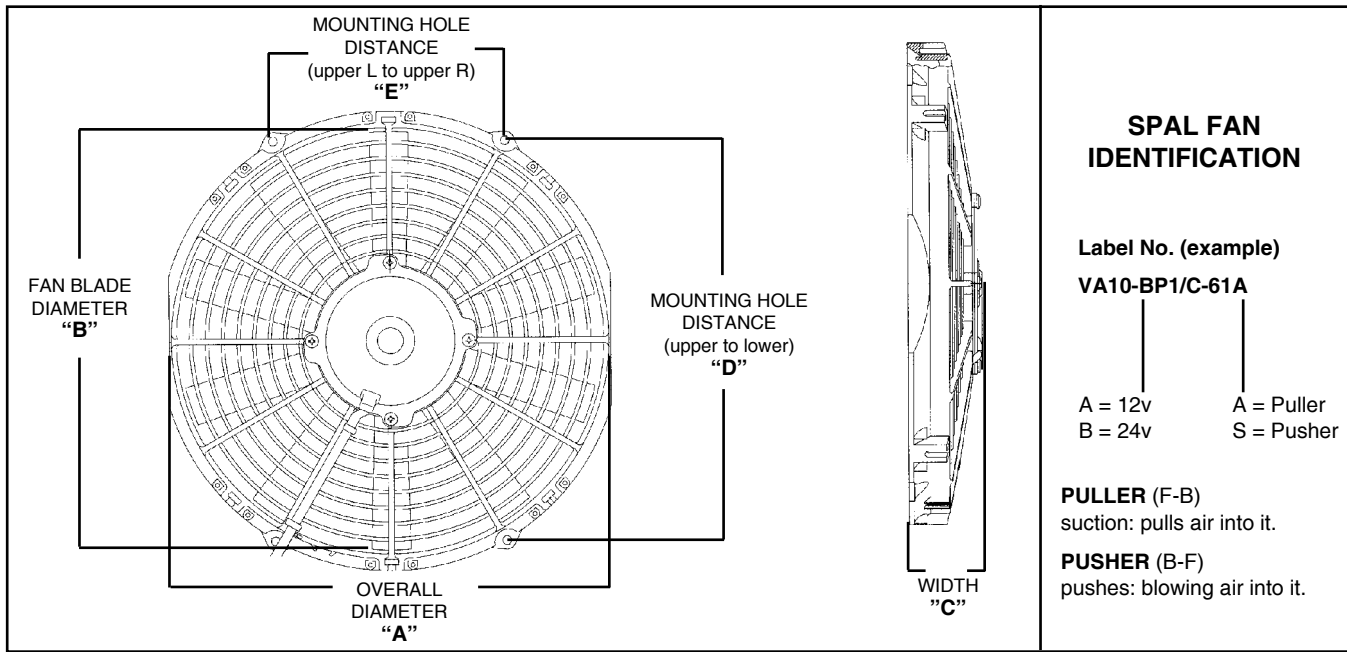
- Monitors radiator temperature
- Easy push-on sensor mounting
- Brass temp. pin conducts heat to sensor
- Protective in-line fuse with wiring harness



06-3161
• 28 mm width

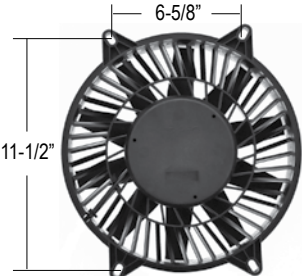





Side Mounting Bracket
• attaches to shroud (Supplied 4 per box)





VOLT	INDUSTRY SIZE	OVERALL DIAMETER "A"	FAN BLADE DIAMETER "B"	WIDTH "C"	MOUNTING HOLE DISTANCE (upper to lower) "D"	MOUNTING HOLE DISTANCE (upper L to upper R) "E"	PART NO. SUCTION	AIRFLOW CFM
PULLER FANS (Suction) - 12 VOLT (Normally Installed between condenser and radiator) Rotation = CCW								
12V	10"	9.37	8.86	2.05	8.11	5.47	06-3500	590
12V	10"	9.37	8.86	3.70	8.11	5.47	06-3500H	826
12V	11"	10.59	10.04	2.05	9.72	5.59	06-3560	649
12V	11"	10.59	10.14	3.70	11.26	5.71	06-3560C	CAT style 1080
12V	11"	10.59	10.04	3.70	11.26	5.71	06-3560H	1115
12V	12"	11.57	11.02	2.05	10.59	6.10	06-3562	808
12V	12"	11.93	11.02	3.70	11.73	6.77	06-3562H	1362
12V	13"	12.64	12.01	2.05	11.48	6.61	06-3564	864
12V	13"	12.64	12.01	3.39	11.48	6.61	06-3564H	1451
12V	13"	12.64	12.01	2.48	11.48	6.61	06-3564M	1227
12V	13.5"	13.03	13.00	3.75	9.37	9.37	06-2622	1640
12V	14"	13.62	12.99	2.05	12.28	7.09	06-3566	1032
12V	15"	14.45	13.78	2.05	13.03	7.52	06-3571	1038
12V	15"	14.45	13.78	3.39	13.03	7.52	06-3571H	1787
12V	15"	14.45	13.78	2.48	13.03	7.52	06-3571M	1623
12V	16"	15.75	15.16	2.05	14.09	8.13	06-3568	1298
12V	16"	15.75	15.16	3.39	14.09	8.13	06-3568H	2023
12V	16"	15.75	15.16	2.48	14.09	8.13	06-3568M	1274
PULLER FANS (Suction) - 24 VOLT (Normally Installed between condenser and radiator) Rotation = CCW								
24V	8"	8.27	7.95	2.05	5.95	-	06-3497	440
24V	10"	9.37	8.86	2.05	8.11	5.47	06-3499	625
24V	10"	9.37	8.86	3.70	8.11	5.47	06-3499H	837
24V	11"	10.59	10.04	2.05	9.72	5.59	06-3561	855
24V	11"	10.59	10.04	3.70	11.26	5.71	06-3561C	CAT style 1168
24V	12"	11.57	11.02	2.05	10.59	6.10	06-3563	973
24V	12"	11.73	11.02	4.39	11.73	6.77	06-3563H	1534
24V	13"	12.64	12.01	2.05	11.48	6.61	06-3565	861
24V	13"	12.64	12.01	3.39	11.48	6.61	06-3565H	1434
24V	13.5"	13.03	13.00	3.75	9.37	9.37	06-2623	1764
24V	14"	13.62	12.99	2.05	12.28	7.09	06-3567	1044
24V	15"	14.45	13.78	2.05	13.03	7.52	06-3572	1062
24V	15"	14.45	13.78	3.39	13.03	7.52	06-3572H	1817
24V	15"	14.45	13.78	2.48	13.03	7.52	06-3572M	1298
24V	16"	15.75	15.16	2.05	14.09	8.13	06-3569	1298
24V	16"	15.75	15.16	3.39	14.09	8.13	06-3569H	2023

VOLT	INDUSTRY SIZE	OVERALL DIAMETER "A"	FAN BLADE DIAMETER "B"	WIDTH "C"	MOUNTING HOLE DISTANCE (upper to lower) "D"	MOUNTING HOLE DISTANCE (upper L to upper R) "E"	PART NO. SUCTION	AIRFLOW CFM
PUSHER FANS (Blowing) - 12 VOLT (Normally Installed in front of condenser)							Rotation = CW (unless noted)	
12V	10"	9.37	8.86	2.05	8.11	5.47	06-3581	590
12V	10"	9.37	8.86	3.70	8.11	5.47	06-3581H	708
12V	11"	10.59	10.04	2.05	9.72	5.59	06-3583	649
12V	11"	10.59	10.04	3.70	9.72	5.71	06-3583H	1062
12V	12"	11.57	11.02	2.05	10.59	6.10	06-3585	808
12V	12"	11.93	11.02	3.70	11.73	6.77	06-3585H	1362
12V	13"	12.64	12.01	2.05	11.48	6.61	06-3587	861
12V	13"	12.64	12.01	3.39	11.48	6.61	06-3587H	1380
12V	13.5"	13.00	13.00	3.75	9.37	9.37	06-2612	1640 CCW
12V	14"	13.62	12.99	2.05	12.28	7.09	06-3589	1032
12v	14"	13.62	12.99	2.05	12.28	7.09	06-3589H	-
12V	15"	14.45	13.78	2.05	13.03	7.52	06-3591	1038
12V	15"	14.45	13.78	3.39	13.03	7.52	06-3591H	1610
12V	15"	14.45	13.78	2.48	13.03	7.52	06-3591M	1250
12V	16"	15.75	15.16	2.05	14.09	8.13	06-3593	1298
12V	16"	15.75	15.16	3.39	14.09	8.13	06-3593H	2023
12V	16"	15.75	15.16	2.48	14.09	8.13	06-3593M	1605
PUSHER FANS (Blowing) - 24 VOLT (Normally Installed in front of condenser)							Rotation = CW (unless noted)	
24V	10"	9.37	8.86	2.05	8.11	5.47	06-3582	719
24V	11"	10.59	10.04	2.05	9.72	5.59	06-3584	708
24V	11"	10.59	10.04	3.70	11.26	5.71	06-3584H	-
24V	13"	12.64	12.01	2.05	11.48	6.61	06-3588	861
24V	13"	12.64	12.01	3.39	11.48	6.61	06-3588H	1374
24V	13.5"	13.00	13.00	3.75	9.37	9.37	06-2613	1764 CCW
24V	15"	14.45	13.78	2.05	13.03	7.52	06-3592H	-
24V	16"	15.75	15.16	2.05	14.09	8.13	06-3594	1298
24V	16"	15.75	15.16	3.39	14.09	8.13	06-3594H	2088

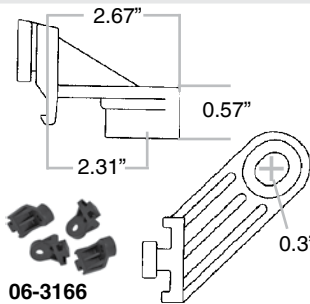
 <p>6-5/8"</p> <p>11-1/2"</p> <p>06-3112V 12 Volt, Blade Dia.11" OAL 13-3/8" x Width 4-3/8" AC Ind/Carrier Bus Motor Assy Replaces Standard Type Vector Puller Type Fan (10 blade)</p>	 <p>06-3497 Voltage24v Blade Dia. 8" (10 blade) Ford NH DC180B</p>	 <p>06-3560C Voltage12v Blade Dia. 11" CAT Style #E525145</p>	 <p>06-3561C Voltage24v Blade Dia. 11" CAT Style #E525146</p>
 <p>01-3107 Voltage12v Motor Dia 3.87 Speed 1 Mount.....Ear Mt.</p> <p>Shaft Lgth...1.00 Vent..... Sealed Wires.....2 Carrier/Trans Air motor for: #06-3112 (old style)</p> <p>1 Male Bullet 1 Female Bullet</p>		 <p>01-3109 Voltage24v Replacement fan motor for: #06-3120 - 10" for: #06-3122 - 12"</p>	

Cooling Fan Hardware

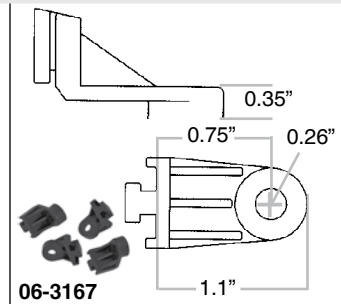


06-3165
Cooling Fan Adapter Bracket
2 per pack

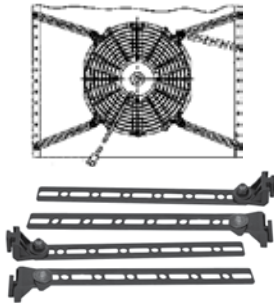
Mounting Ears



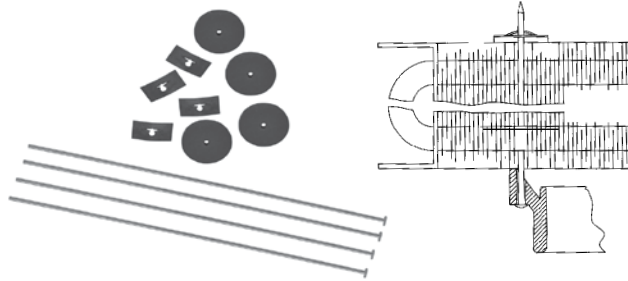
06-3166
Cooling Fan Mounting Ears
Angled 45° 4 per pack



06-3167
Cooling Fan Mounting Ears
Straight 4 per pack



06-3168
Cooling Fan Mounting Bracket
4 per pack



06-3169
Cooling Fan Mount Kit
for 10" dia. or below fan only
Includes mounting pin, washer, stop spring (4 each)



06-3171 195°
06-3172 185°
Installation Kit
Cooling Fan Control Package