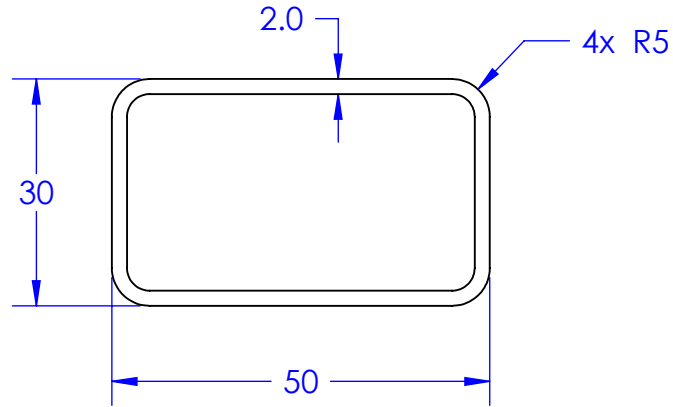
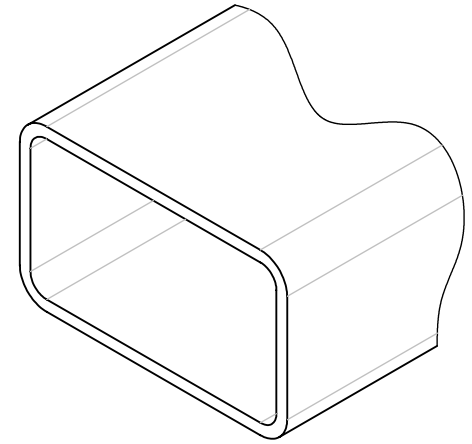


10-010-00

DWG. NO.



**PROPRIETARY AND CONFIDENTIAL**  
 THE INFORMATION CONTAINED IN THIS DRAWING IS THE SOLE PROPERTY OF STAINLESS CABLE & RAILING, INC. ANY REPRODUCTION IN PART OR AS A WHOLE WITHOUT THE WRITTEN PERMISSION OF STAINLESS CABLE & RAILING, INC. IS PROHIBITED.

		UNLESS OTHERWISE SPECIFIED: DIMENSIONS ARE IN Millimeters		NAME	DATE	Stainless Cable & Railing, Inc. 888-686-7245 (RAIL)
		TOLERANCES: x = 0.1 x.x = 0.1 x.xx = 0.01 x.xxx = 0.005	DRAWN	GM	04/30/08	
		INTERPRET GEOMETRIC TOLERANCING PER:	CHECKED			Post-to-Post Top Rail
		MATERIAL 6082 T6 Alu	ENG APPR.			
		FINISH Powdercoat	MFG APPR.			<b>A</b> 03-010-01 PR1
NEXT ASSY	USED ON		Q.A.			SCALE: 1:1 WEIGHT: SHEET 1 OF 1
APPLICATION		DO NOT SCALE DRAWING	COMMENTS:			

5

4

3

2

1