

# Density Determination Kit

Density determination kit for solids and liquids is a device intended for laboratory balances



KIT 195



KIT 195.M for PS M precision scales based on RADWAG MonoBLOCK®



KIT 85



KIT 195 kit components



KIT 128

## Features

### Precise and Fast Calculations

Density determination kit makes operation in laboratory faster and more convenient. The balance guides the user through particular process stages with respective prompts, and the calculations are carried out via balance program. With this, the risk of measurement error is minimized.

### Reliable Data Processing

During each measurement, the balance automatically zeroes indication, this ensures obtained result correctness.

## Compatible with

### Kit 85:

- XA 4Y, AS 3Y, AS X2, AS R analytical balances

### Kit 128:

- PS 3Y, X2, R precision balances

### Kit 195:

- PS 3Y, X2, R precision balances

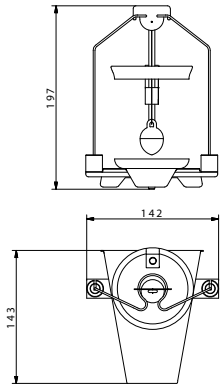
### Kit 195 M:

- PS M precision balances

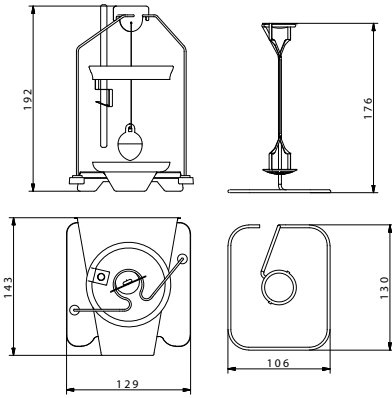
## Set content

- Base
- Stand
- Sinker - for liquid density determination
- Beaker
- Thermometer holders
- Sinker string
- Hanger
- Top weighing pan for solids density determination
- String for weighing pans
- Bottom weighing pan for solids density determination
- Additional sinker
- Additional stand for a set
- Additional set of weighing pans for determination of density of solids with density lower than density of water
- Additional set of weighing pans for determination of density of granulates (KIT 85 exclusively)

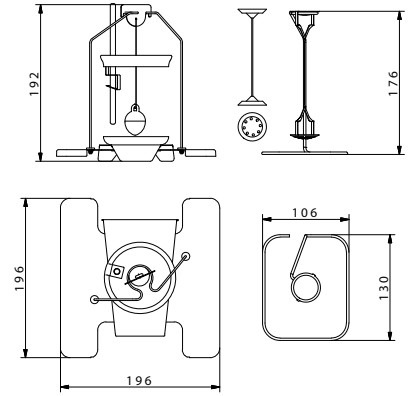
# Dimensions



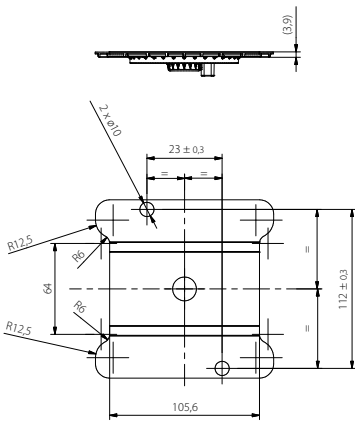
KIT 85



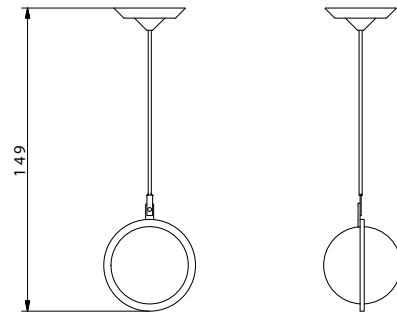
KIT 128



KIT 195

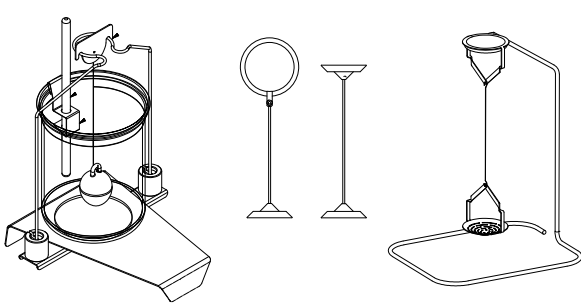


KIT 195.M

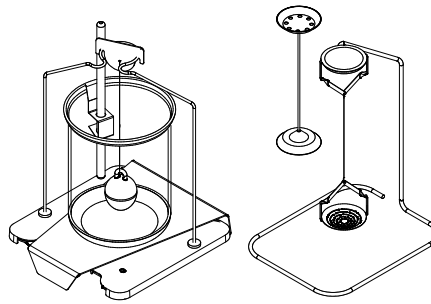


Granulte density determination KIT

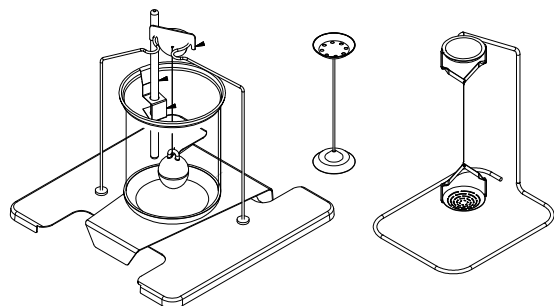
# Exploded view drawing



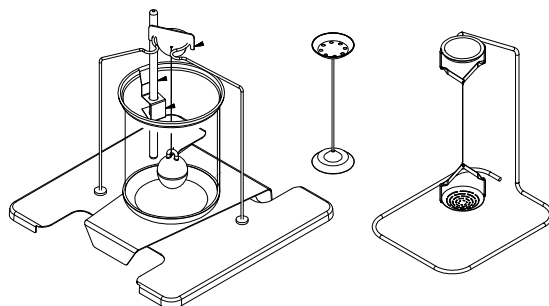
KIT 85



KIT 128



KIT 195



KIT 195.M