

# Antistatic Ionizers

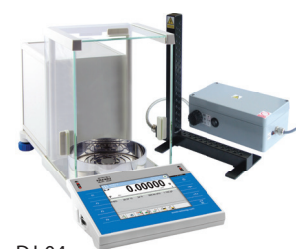
Compensation of electrostatic charges accumulated in weighed products.



DJ-04 with  
268 × 110 × 295 mm frame



DJ-05 with  
175 × 70 × 172 mm frame



DJ-04  
with XA 4Y analytical balance

## Features

### Reliable Measurement Results Guaranteed

Uncompensated electrostatic charges accumulated on the surface of weighed sample cause disturbances of the weighing process. As a result, the measurement is inaccurate, takes too much time or is unstable. Only removing electrostatic charges prevents the above phenomena and enables obtaining repeatable measurements significantly faster. The ionizer is compatible with all Radwag weighing instruments. It can also be used to neutralize electrostatic charges that occur on other elements that are not part of the weighing process.

### Ease of Use

The antistatic ionizer is easy to use, it neutralizes ions within few seconds and allows to prepare the sample for further processing.

### Electrostatic Charges Compensation

The ionizer is intended for compensation of electrostatic charges accumulating on the surface of weighed sample. The principle of ionizer's operation is based on generating cations and anions alternately, which results in electrostatically neutral working environment. The surface of a sample placed in such an environment becomes electrostatically neutral. With this, the weighing process remains undisturbed.

### External Ionizer

The antistatic ionizer can be placed next to the weighing instrument at any convenient distance.

## Set Content

• XA 4Y.M microbalances

• XA 4Y; AS 3Y, AS X2, AS R analytical balances

## Technical Specifications

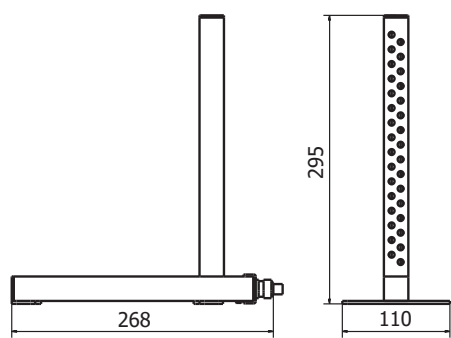
• ionizer  
• cable

• power supply

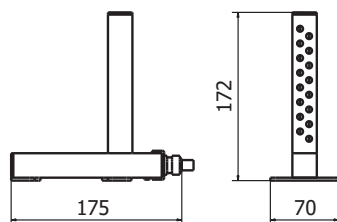
## Technical Specifications

	DJ-04	DJ-05
Distance form a sample	5 ÷ 50 cm	5 ÷ 50 cm
Ions source	stainless steel	stainless steel
Operating temperature	0 ÷ 40 °C	0 ÷ 40 °C
Moisture content analysis	10 - 80 %	10 - 80 %
Power supply	220 - 240 V AC	220 - 240 V AC
Frame dimensions	268 × 110 × 295 mm	175 × 70 × 172 mm
Net/gross weight	1.3 kg	1.3 kg

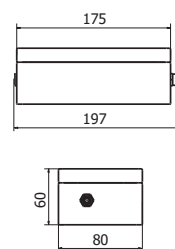
## Dimensions



DJ-04



DJ-05



power supply