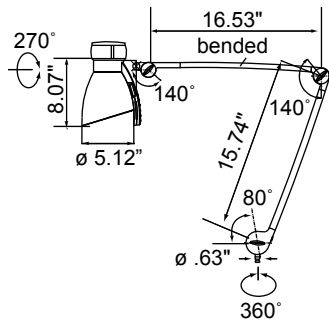


The Medicoool is cool to the touch after hours of operation. Soft LED light bathes the reading area in comfortable, soothing 3000K illumination. Additionally, a night light incorporated into the handle provides added safety and security, making MEDICOOL the ideal bedside reading light for medical facilities.



FEATURES

- 35" reach premium articulating arm provides drift-free stability during use
- Anti-glare diffuser helps minimize eye strain
- Soft 3000K LED light offers >85 color rendering
- Unique illuminated handle acts as night light, providing added security and safety for patients
- Compact 5.1" diameter light head with 270° rotation around head joint
- 120V direct plug and 10-foot cable included
- 25,000 hours maintenance-free LED operation



ORDERING INFORMATION:

Description	Part Numbers
Medicoool LED with Clamp	D13116105
Medicoool LED with Floor Stand	D13116115
Medicoool LED with Wall Mount	D13116125
Medicoool LED with Rail Mount	D13116155