

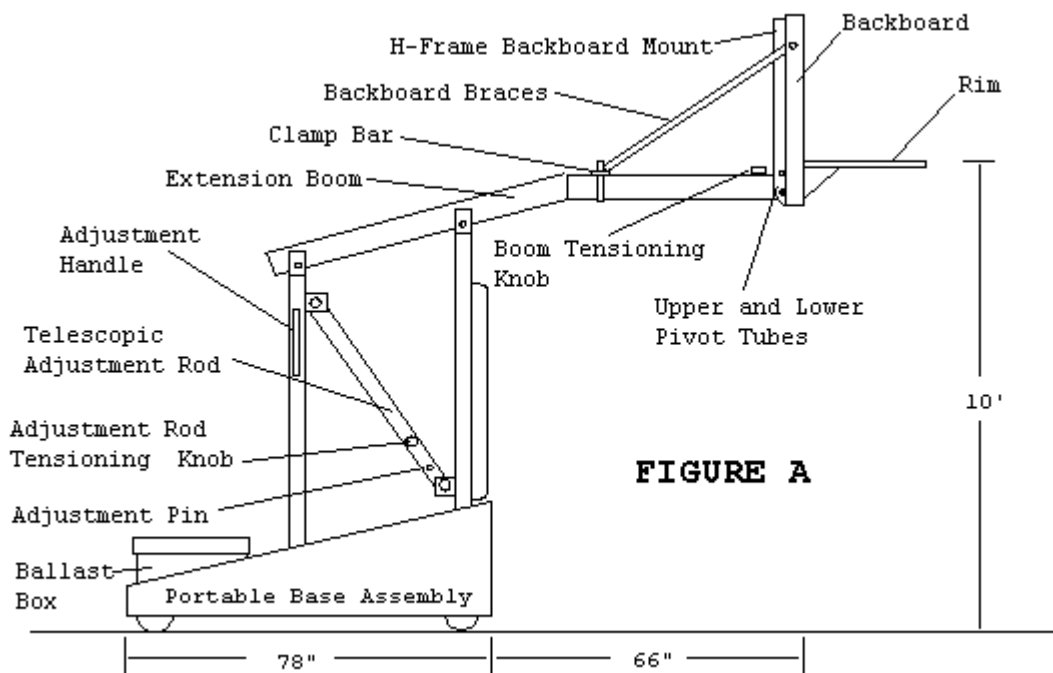


First Team Sports, Inc | Storm

WARNING! WARNING! WARNING!

THIS BASKETBALL SYSTEM IS SPRING LOADED AND SHIPPED UNDER TENSION. ATTEMPTING TO ASSEMBLE OR DISASSEMBLE ANY PORTION OF THIS UNIT WITHOUT FIRST READING ENTIRE INSTRUCTION SHEET MAY RESULT IN SEVERE INJURY OR DEATH!

WARNING: DO NOT REMOVE ADJUSTMENT PIN (SEE FIGURE A) UNTIL BACKBOARD AND RIM HAVE BEEN ATTACHED TO THE UNIT!



Bill of Materials

A (1) Portable Base Assembly	H (3) ½" Flatwasher	O (1) Leverage Tool
B (1) H-Frame Backboard Mount	I (4) ½" Lockwasher	P (1) Eccentric
C (2) Backboard Brace	J (4) ½" Hex Nut	Q (1) Set of Base Padding
D (1) Clamp Bar	K (10) 5/16" Machine Screw	R (1) Adjustment Rod Knob
E (1) 4" U-Bolt	L (10) 5/16" Flatwasher	S (1) Boom Tensioning Knob
F (1) ½"x 9" Hex Bolt	M (10) 5/16" Lockwasher	
G (1) ½"x 8" Hex Bolt	N (10) 5/16" Hex Nut	

NOTE: Immediately unpack all components and cross check against bill of materials. Report any shortages to First Team customer service at 1-888-884-6677. (4) ½"x 1 ½" hex bolts, (4) ½" flatwashers, (4) ½" lockwashers and (4) ½" hex nuts are located in your H-Frame backboard mount.

WARNING! WARNING! WARNING!

THIS BASKETBALL SYSTEM IS SPRING LOADED AND SHIPPED UNDER TENSION. ATTEMPTING TO ASSEMBLE OR DISASSEMBLE ANY PORTION OF THIS UNIT WITHOUT FIRST READING ENTIRE INSTRUCTION SHEET MAY RESULT IN SEVERE INJURY OR DEATH!

WARNING: DO NOT REMOVE ADJUSTMENT PIN (SEE FIGURE A) UNTIL BACKBOARD AND RIM HAVE BEEN ATTACHED TO THE UNIT!

Remove portable base from shipping pallet. For your convenience your portable basketball system has been 95% pre-assembled.

Install ballast. **Warning: Failure to install correct amount of ballast weight can result in serious injury!** 720 lbs. of counter balance weight is required in the ballast box. Solid cement blocks are recommended, (24) 4"x 8"x 16" solid cement blocks can be placed inside the ballast box (two rows, 12 across). Blocks can be purchased at most building supply centers. **DO NOT PROCEED WITH ASSEMBLY UNTIL 720 LBS. OF BALLAST HAVE BEEN INSTALLED!**

Inside one of the boxes shipped with your portable base you should find (1) H-Frame Backboard Mount, (2) Backboard Braces and (1) Bolt Kit. Remove these items from the box.

Unpackage and lay your backboard face down on your working surface. Take note of the backboard's size and composition (tempered glass or acrylic). Check to make sure all four steel grommets are located at the rim holes, if any are missing look in the box (if grommets are missing and cannot be located do not proceed with assembly, call First Team immediately). If you purchased an FT220 (3'x 5' acrylic) backboard you should have received two rubber gaskets with the backboard instead of grommets. NOTE: If you purchased an FT222 (3 ½'x 6' acrylic) backboard you will notice that the board has four steel grommets located at the rim holes and two black rubber gaskets packaged in with the board. Discard the two black rubber gaskets, you will not need them.

During step 3 you removed the H-Frame Backboard Mount from its box. Your H-Frame backboard mount has been pre-assembled to fit all 36" tall backboards. However, if your backboard is 42" tall you must loosen and remove the four nuts, bolts, etc. that attach the upper portion of the H-Frame to the lower portion. Next, extend H-Frame 6" and re-attach the four nuts and bolts in the alternate alignment holes. Leave the nuts loosely attached for now.

Lay the H-Frame down into the backboard aligning the four holes at the top and bottom of the H-Frame with the center four holes at the top and bottom of the backboard as shown in Figure B. If you are mounting an FT220 (3'x 5' acrylic) backboard place one rubber gasket between the faceplate of the H-Frame and the backside of the backboard. You will use the other gasket later during assembly. Also, for the FT220 you will have to remove and discard the plastic strap located at the backboard frame joint to complete this step. The H-Frame should fit down inside the backboard with minimal gap between the backboard aluminum framework and the H-Frame itself. If there is a gap, make sure the four connecting bolts (discussed in step 4) are loosely attached. Then extend H-Frame until it is snug inside the backboard frame. Tighten the four ½" H-Frame connecting bolts, nuts, etc. (see Figure B)

Check to make sure the rim hole pattern in the H-Frame lines up with the rim hole pattern in the backboard, adjust as necessary. When you are satisfied with alignment, attach backboard to H-Frame at all points along the top and bottom of the board using the 5/16" hardware provided.

Before proceeding it is important to ensure that the correct number of springs have been loaded into the portable base. The number of springs used is dependent upon which backboard is being mounted onto the unit. Use the following chart to determine the correct number of springs for your unit. If you do not know what your backboard composition is, weigh your backboard and use the weights provided to

identify your backboard. If the chart does not agree with the number of springs pre-loaded onto your unit **DO NOT PROCEED WITH ASSEMBLY, CALL FIRST TEAM IMMEDIATELY!**

Backboard Size & Composition	No. of Springs
FT220 - 36"x 60" Acrylic (weight = 51 lbs)	4
FT222 - 42"x 72" Acrylic (weight = 89 lbs)	5
FT230 - 36"x 60" Tempered Glass (wt.= 97 lbs)	5
FT232 - 42"x 72" Tempered Glass (wt.=160 lbs)	6

Note: Before proceeding with the next step, take a look at your H-Frame Backboard Mount. Notice that where the H-Frame mounts to the extension boom there are two welded Keystocks on either side of one of the upper attachment points. When attaching the H-Frame/Backboard assembly to the extension boom, push your top bolt through the hole without the welded Keystocks first so that the threaded end of the bolt protrudes through where the Keystocks are located. (See Figure D)

For shipping purposes the extension boom on your portable base has been secured with a ratchet tensioning strap located at the front of the base. Loosen and remove the tensioning strap before proceeding. Next, extend the inner boom out 12" - 18" by tugging on the pivot tubes. This will allow clearance to complete the next step.

Mount the H-Frame/Backboard assembly to the lower pivot tube on extension boom (See Figure A) using a 1/2" x 8" hex bolt, (2) 1/2" flatwashers, a 1/2" lockwasher and a 1/2" hex nut. Attach H-Frame/Backboard assembly to upper pivot tube using a 1/2"x 9" hex bolt, an eccentric, a 1/2" flatwasher, a 1/2" lockwasher and a 1/2" hex nut. The eccentric should slide onto the 9" hex bolt and fit between the two Keystocks welded above and below the upper attachment point. The eccentric should go on with its round, flat surface butted up against the H-Frame's vertical surface. See Figure D. Leave all hardware finger tight for now.

Place a level on top of the backboard. Using a 3/4" wrench, rotate the eccentric clockwise until backboard is perfectly level side to side. Tighten down hardware making sure eccentric does not move.

Install rim using the hardware provided inside the rim box. Note: If you purchased an FT220 (3'x5' acrylic) backboard place the other rubber gasket between the backplate of the rim and the face of the backboard. Use a level to make sure rim is level before tightening bolts. Attach net.

Located on the telescopic adjustment rod you will find the adjustment pin (See Figure A). The telescopic adjustment rod has been secured with a safety bolt and a warning sticker. At this time tear off the red warning sticker attached to the safety bolt. Loosen and remove the safety bolt.

Next, pull the adjustment pin and raise unit up so that rim is approximately 6' high, replace pin. Put a level on the face of the backboard. Apply pressure to either the front or back of the backboard until it is level vertically. Tighten down hardware making sure backboard does not move. Lower unit back to its folded, storage position and retract the inner boom completely back.

Attach backboard braces to side holes in backboard frame using the 5/16" hardware provided. Then, loosely attach backboard braces to extension boom using (1) 4"x 1/2" U-Bolt, (2) 1/2" lockwasher, (2) 1/2" hex nut, and the clamp bar as shown in figure A. Bend braces to fit as necessary.

Also, attach and tighten down the boom tensioning knob and the telescopic rod tension knob to their respective locations. (See Figure A)

Mount safety padding to the front and sides of the unit using the velcro strap connectors. The sewn rectangular pad fits over the top of the ballast box like a lid. You may want to raise the unit for this step. Also, if you purchased backboard safety padding attach it at this time. (Backboard padding requires drilling)

The assembly of your Storm Portable Basketball System is complete! Keep this set of instructions for future reference. Before playing on the Storm, be sure you've read and fully understand all the directions for using this portable basketball goal listed under "Operating Your Storm Portable Basketball System" on the last page of these instructions.

Operating your Storm Portable Basketball System

Adjusting the Goal Height: To adjust the goal height first loosen the adjustment rod tensioning knob, remove the adjustment pin, take hold of the adjustment handle located on the second upright and simply raise or lower the unit as needed. For your convenience, the black strap is provided when lowering the unit. The telescopic adjustment rod is calibrated for adjustment every six inches. Once you have reached the desired playing height replace the adjustment pin in the telescopic adjustment rod lining up the hole in the outer tube with the appropriate hole in the inner tube. The hole drilled at the end of the adjustment pin is provided so that you may padlock the unit to prevent unauthorized adjustment. Finally, tighten the adjustment rod tensioning knob once again before use.

Adjusting the Extension/Overhang: Your Storm portable basketball goal is designed with the ability to regulate the amount of overhang (distance from front of base to face of backboard) at different playing heights. You will notice that as you adjust the unit downward the overhang decreases. Conversely, as the unit is adjusted upward the overhang increases. Basketball rules state the distance between the baseline and the face of the backboard shall be 4 feet. Because of the diminishing overhang during downward adjustment this 48" overhang can be achieved only by telescoping the extension boom. To telescope the extension boom first lower rim to desired playing height to determine the exact amount of additional overhang needed to achieve 48". Next lower rim to its lowest possible point. Using a $\frac{3}{4}$ " wrench loosen the 4" U-bolt hardware, etc. where backboard braces are attached to boom. Also loosen the boom tensioning knob located on top of the extension boom just behind the backboard. Tug on rim to extend the boom the necessary amount. Tighten all hardware and boom tensioning knob. Raise goal to playing position.

Positioning the Unit: Located at the front of the base are two rolling swivel castors. These castors are designed to be locked when the unit is in playing position. The castors are designed to be locked in two steps. The swivel lock keeps the wheel running in one direction, when the swivel lock is activated turning the unit is not possible. To activate the swivel lock, simply twist the ring-pin 90 degrees and allow it to snap into position (pull and twist to de-activate). The ring-pin is located on the backside of both front castors.

The **roll lock** keeps the wheel from turning. When the roll lock is activated moving the unit is not possible. To engage the roll lock, use the leverage tool packaged in the bolt kit. The tool attaches to the roll lock tab located at the side of both front wheels, use it to give yourself the necessary leverage to work the lock manually. The end with the sharper angle is used to activate the unit's left wheel. The other end of the tool operates the right wheel. A leverage tool storage slot is located on the inside front of the base. Just slip one end of the tool inside the slot to store it when not in use.

To position the unit, lower the rim down to the lowest possible height. Disengage the wheel locking devices (swivel & roll locks). As shown in Figure C, move unit by holding onto rim and pulling it into position at point 1 relative to the baseline, sideline or other desired playing location. Make sure unit is roughly perpendicular to its final playing position. Next, push unit straight backward until it is at the desired playing position (point 2). Engage both roll locks and swivel locks at this time. (When engaging the roll locks don't forget to use the leverage tool, it will make setting the locks much easier)

WARNING! Never play on unit with swivel or roll locks disengaged! Always check to make sure wheels are fully locked before each use. Playing on this system with wheels unlocked may result in serious injury.

Figure D

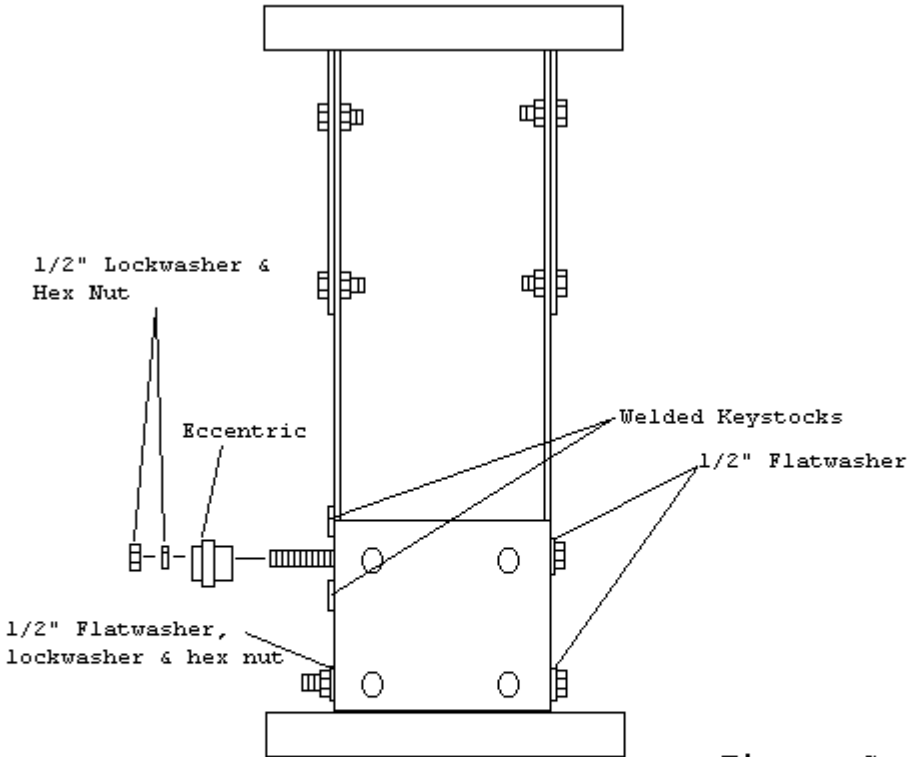


Figure B

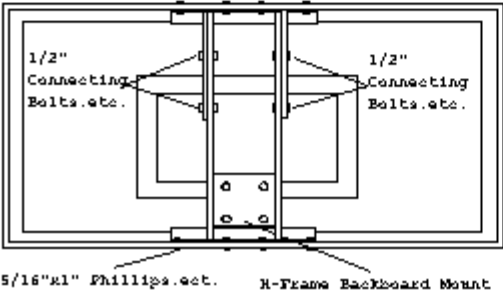


Figure C

