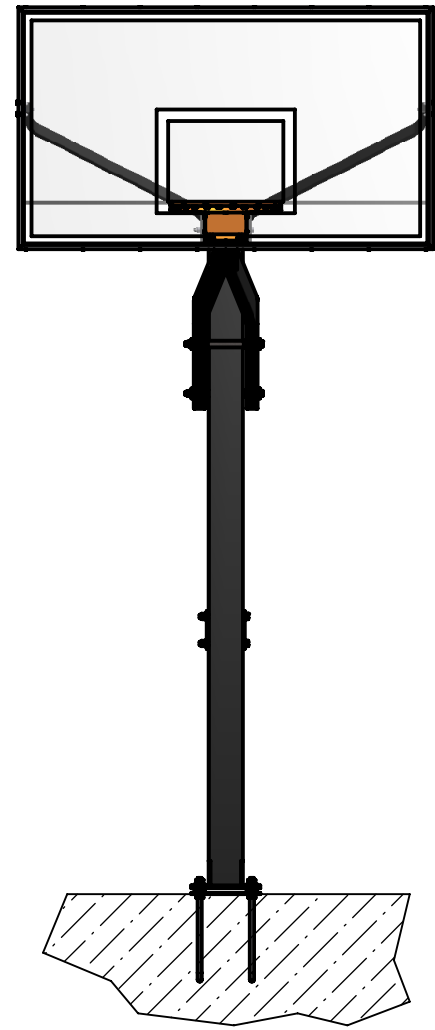
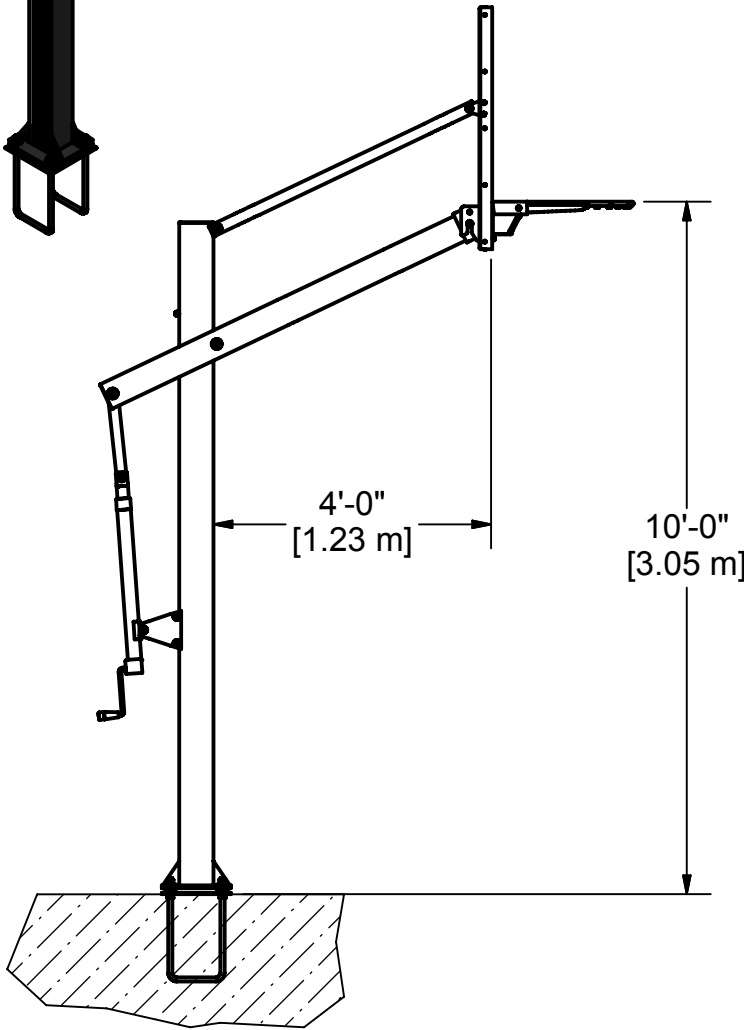


HEIGHT ADJUSTABLE BETWEEN 7'-0" AND 10'-0".
 6" SQUARE HEAVYGAUGE STEEL POST WITH 3/16"
 WALL THICKNESS FOR SUPERIOR STRENGTH
 AND DURABILITY. POST IS FINISHED IN BLACK
 POWDER COAT. 42" X 72" GLASS BACKBOARD
 PROVIDED WITH HEAVY DUTY BREAKAWAY
 GOAL WITH NYLON NET FOR ANY LEVEL OF
 COMPETITIVE PLAY. BOLT TO GROUND
 DESIGN FOR EASY INSTALLATION.



REV	BY	DATE


Product Specifications
www.TopHoops.com
 info@tophoops.com • 888.878.2942

THIS DOCUMENT CONTAINS TRADE SECRET AND OTHER MATERIALS WHICH ARE PROTECTED BY CONFIDENTIALITY NOTICE AND AGREEMENT AND BY COPYRIGHT. ANY USE OR COPYING OF THIS DOCUMENT EXCEPT AS AUTHORIZED BY GARED HOLDINGS, LLC IS STRICTLY PROHIBITED.

PRO JAM ADJ. RESIDENTIAL BASKETBALL SYS.

DRAWN	PEELER	DATE	1/6/2010	DATE ISSUED	1/6/2010
APPROVED	CONNERLEY	DATE	1/6/2010		
FILE LOC. Q:\Inventor Files\Specifications\06_Outdoor Products\					
SIZE	SCALE	SHT. NO.	PART NO.	REV	
A	NONE	1 OF 1	GP10G72DM		



MODEL GP10G72DM

PRO JAM ADJUSTABLE BASKETBALL SYSTEM

RECOMMENDED APPLICATION

Designed for applications requiring a durable adjustable basketball system to be used outside, such as a park, playground, or residential setting.

SPECIFICATIONS

POST / EXTENSION ARMS

The GP10G72DM basketball system shall have a 6" square steel post with 3/16" wall thickness. The unit shall have two extension arms which connect to the post with a large diameter pivot bolt and connect to the vertical struts of the backboard. The extension arms shall be comprised of formed steel and shall provide a 4' distance from the backboard to the post at the 10' playing height. The extension arms shall contain a large actuator with removable handle to enable the backboard and goal to be raised and lowered effortlessly at any height between 7' and 10'. The post and extension arms shall be powder coated black to prevent rust. The post shall be surface-mounted with a bolt-to-ground design to allow for easier installation and system transportability.

BACKBOARD

The backboard shall be a Gared model BB72G50 Rectangular Glass Backboard. The backboard shall be comprised of 1/2" thick glass permanently attached to a steel tubular frame with aluminum extrusions. Overall dimension of the backboard shall be 42" in width and 72" in length. Backboard shall have 20" vertical centers for attaching board to upper extension arms and a direct goal attachment for the lower lift arm. Backboard shall also have 5" vertical and 5" horizontal mounting holes for attaching rim.

RIM

The rim shall be a Gared model 726 Titan Power Breakaway Rim. Rim shall have an official size 18" rim of 5/8" diameter steel with a continuous no-tie net attachment and full wing brace design. The rim shall have 4-5" vertical and 4-5" horizontal mounting holes for attaching to most backboards. Rim shall have a durable orange powder coat finish and include a nylon net.

ACCESSORIES

LSCE72 – 72" Recreational Pro-Mold Backboard Padding
PP6WR – Wrap-Around Pole Pad for 6" Square Posts OR
PP6SQF – Fitted Pole Pad for 6" Square Posts
BP6SQ – Base Pole Pad for 6" Surface Mount Posts