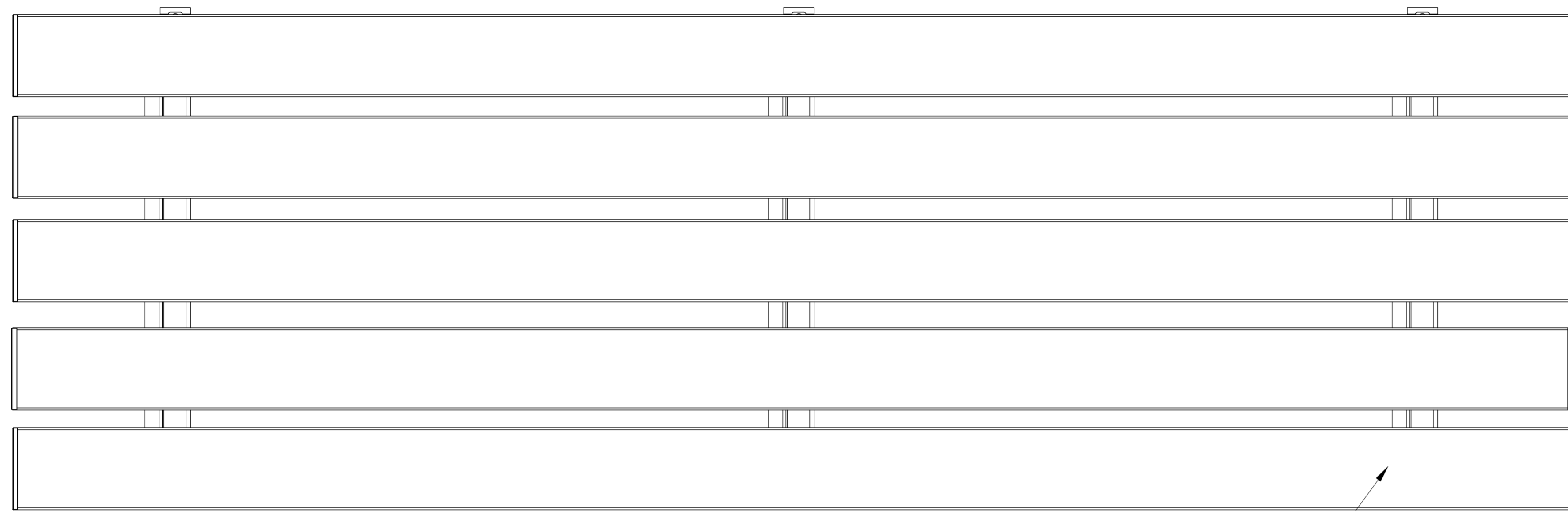


FIRST TEAM SPORTS INC.  
HUTCHINSON, KS 67501  
1-800-649-3688  
www.firstteaminc.com

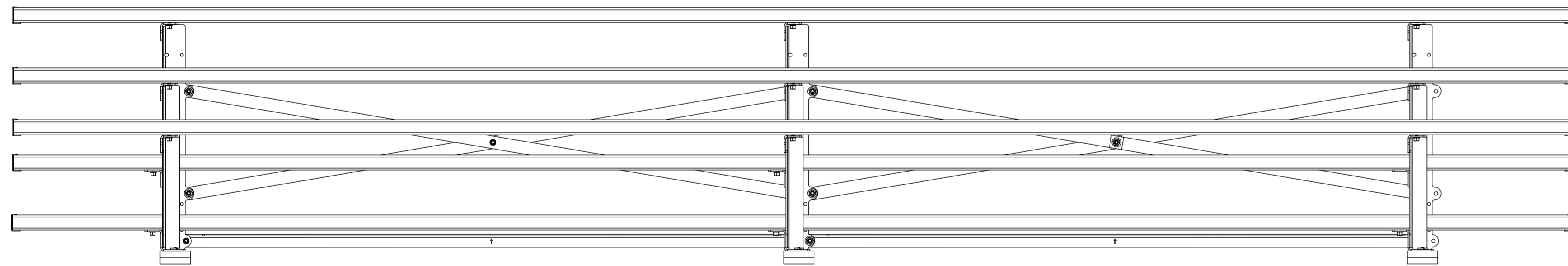
FT FANSTAND 3 ROW OUTDOOR BLEACHER  
PRODUCT SUBMITTAL

BLACK POWDER COATED STEEL FRAME

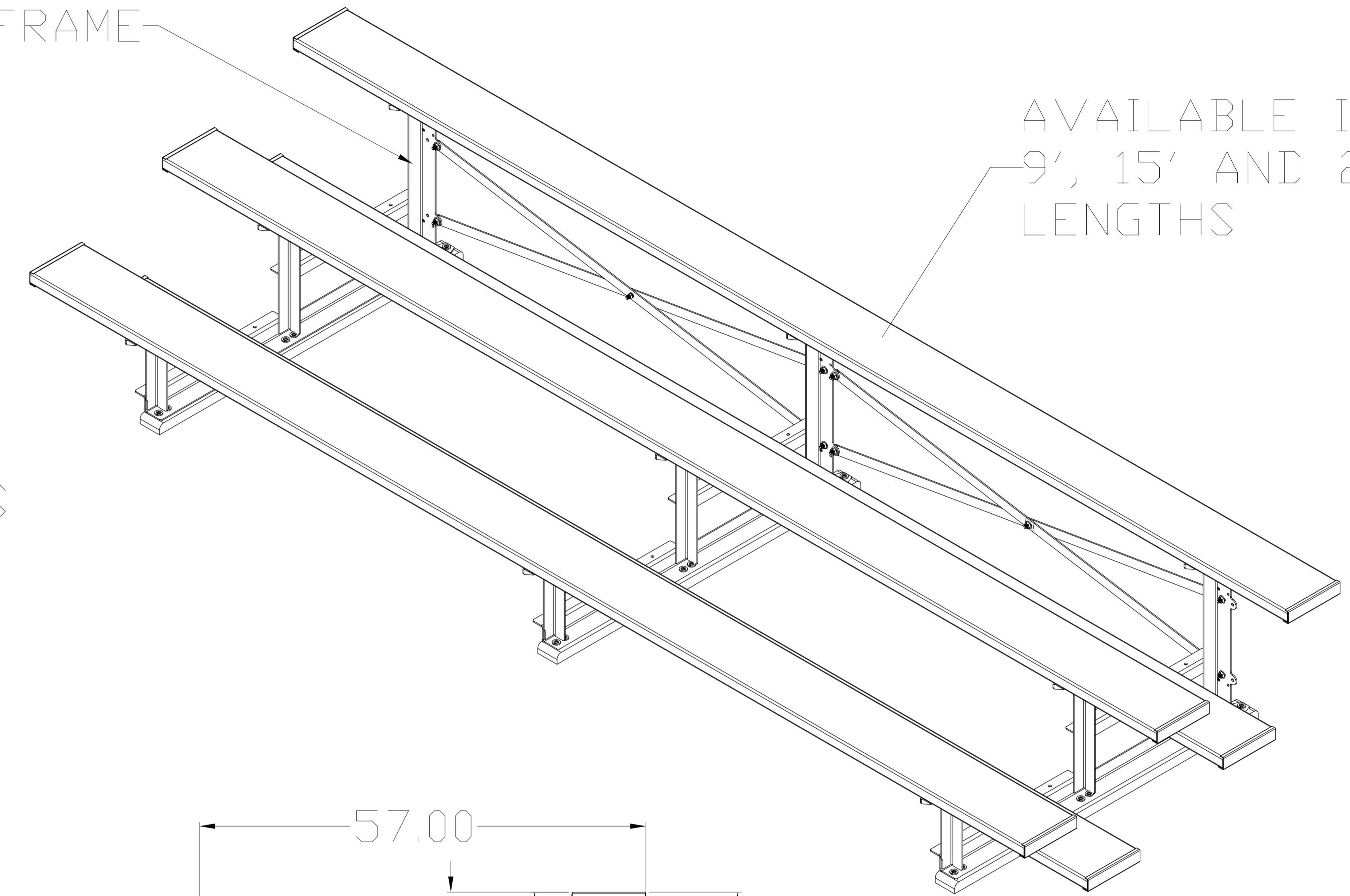


ALUMINUM END CAPS

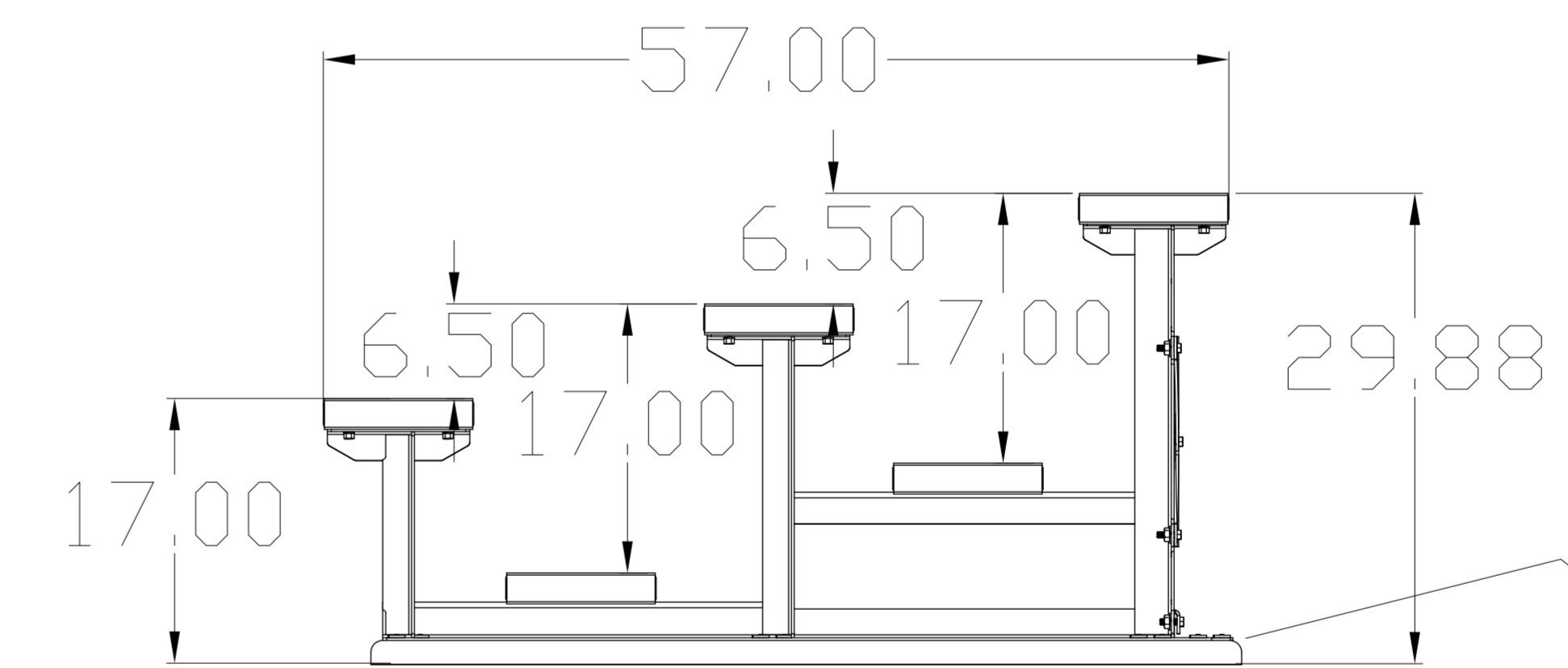
9.5" WIDE CLEAR ANODIZED ALUMINUM PLANKS



CUSTOM COLORED PLANKS AVAILABLE UPON  
REQUEST FOR AN ADDITIONAL CHARGE

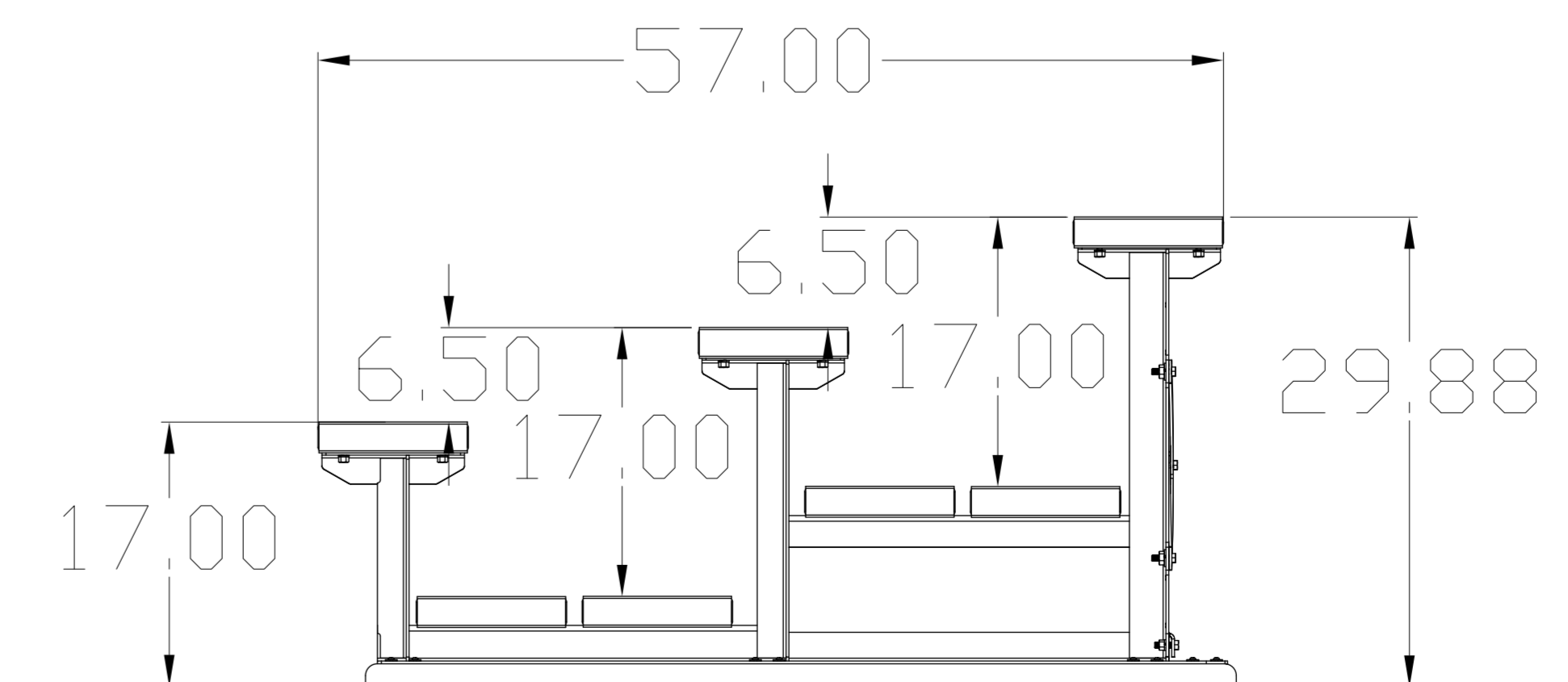


AVAILABLE IN  
9', 15' AND 21'  
LENGTHS



TREATED  
2X4 WOOD  
RUNNERS

SINGLE FOOTPLANK OPTION



DOUBLE FOOTPLANK OPTION