



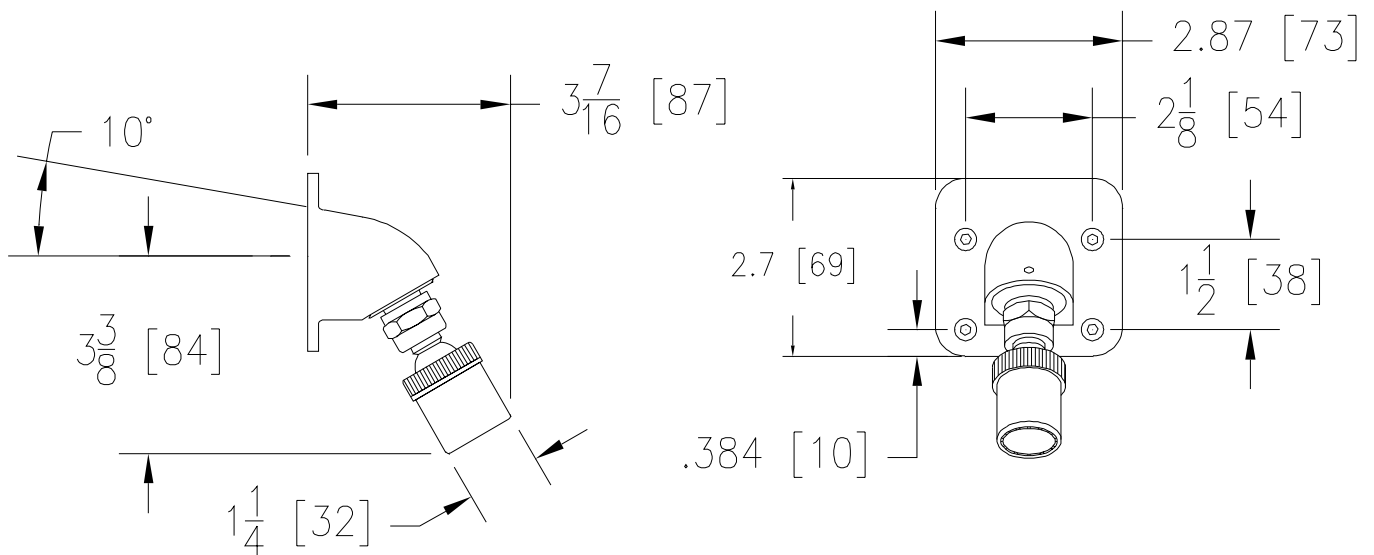
Conservation Warehouse
 PO Box 1376 • Easton, PA 18044
 Phone: 800-875-2955 Fax: 484-944-1590
 www.conservationwarehouse.com • Certified WBE Company



Z7000-i7 Temp-Gard Institutional Shower Wall Mount w/ Ball Joint Solid Brass Shower Head

ENGINEERING SPECIFICATIONS: ZURN Z7000-i7

Ball joint solid brass chrome plated shower head, with bronze body institutional wall mount with hard chrome plated finish, maximum flow rate 2.2 gpm at 80 psi, pressure compensating flow control feature maintains constant flow rate, 1/2" NPT female threaded inlet, fixed body width spray pattern 4 mounting screws provided, vandal resistant standard.



Note: All dimensions are for reference only. Do not use for pre-plumbing.

OPTIONS (Check/specify appropriate options) Use with Z7300 prefix

Suffix	Description
—AP	Anchor Plate
—BP	Base Plate

STANDARDS

Tested to meet the following standards for valves and plumbing fittings:
 Shower Heads meet ANSI A112.18.1
 Federal, PMI and State Specifications

Conservation Warehouse

PO Box 1376 • Easton, PA 18044 • Phone: 800-875-2955 Fax: 484-944-1590 • www.conservationwarehouse.com
 Certified WBE Company