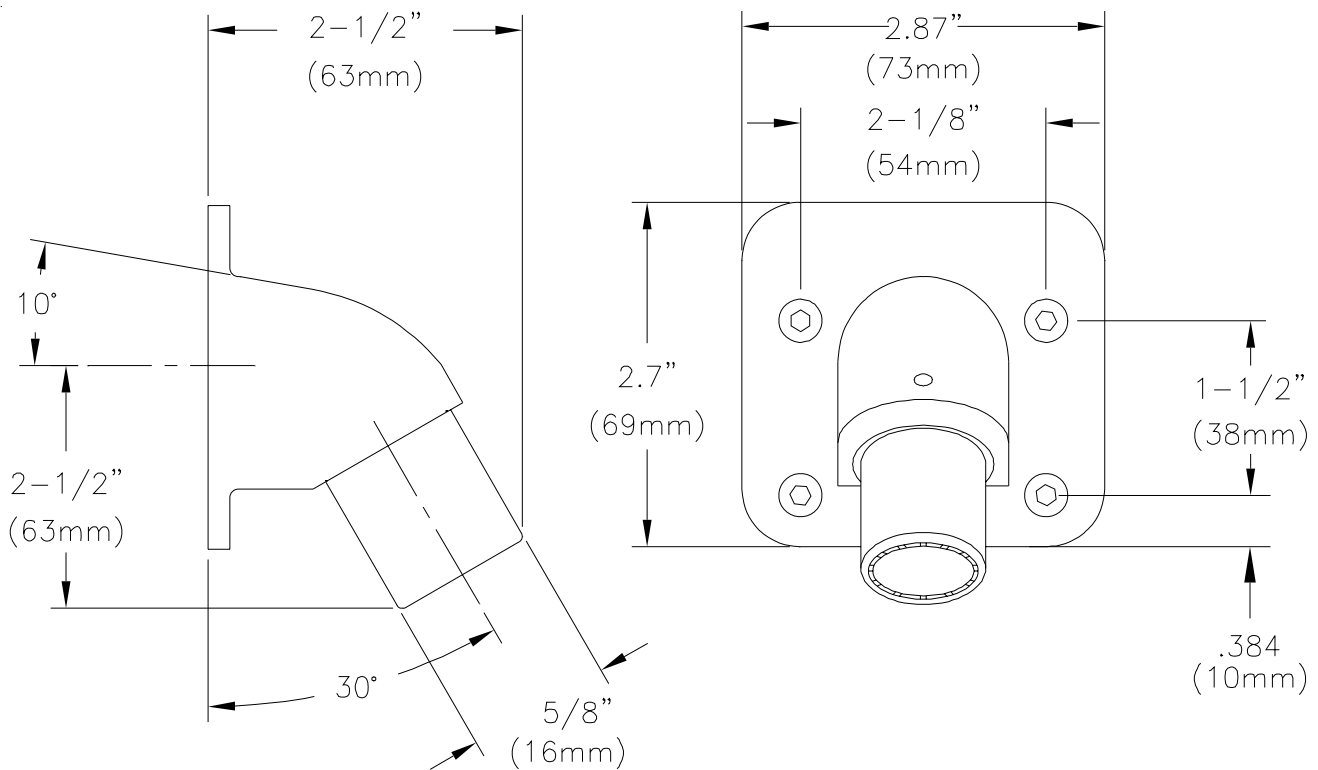




Z7000-i2-1.25 Temp-Gard Institutional Shower Head

ENGINEERING SPECIFICATIONS: Bronze body with hard chrome plated finish, maximum flow rate 1.25 GPM at 80 PSI, with pressure compensating flow control feature to maintain constant flow rate, fixed stream head, 1/2" NPT female threaded inlet, 4 mounting screws provided, vandal resistant standard, 30 degree shower head angle as standard.



Note: All dimensions are for reference only. Do not use for pre-plumbing

OPTIONAL ACCESSORIES

Suffix	Description
___ AP	Anchor Plate
___ BP	Base Plate
___ -1.5	Water Saver Flow Control, 1.5 GPM
___ -1.75	Water Saver Flow Control, 1.75 GPM
___ -2.0	Water Saver Flow Control, 2.0 GPM

STANDARDS

Designed to meet the following standards:
 ASME A112.18.1/CSA B125.1